



|  |                 |               |          |                          |
|--|-----------------|---------------|----------|--------------------------|
| Product designation                                |                 |               |          | Power contactor          |
| Product type designation                           |                 |               |          | DPBF09                   |
| <b>Contact characteristics</b>                     |                 |               |          |                          |
| Number of poles                                    | Nr.             | 3             |          |                          |
| Operational frequency                              | min             | Hz            | 25       |                          |
|  | max             | Hz            | 400      |                          |
| <b>Mechanical features</b>                         |                 |               |          |                          |
| Operating position                                 | normal          | Vertical plan |          |                          |
|  | allowable       | ±30°          |          |                          |
| Fixing   |                 |               |          | Screw / DIN rail<br>35mm |
| Weight   | g               | 354           |          |                          |
| <b>Operations</b>                                  |                 |               |          |                          |
| Mechanical life                                    | cycles          | 20000000      |          |                          |
| Electrical life                                    | cycles          | 2000000       |          |                          |
| <b>Safety related data</b>                         |                 |               |          |                          |
| Performance level B10d according to EN/ISO 13489-1 | rated load      | cycles        | 2000000  |                          |
|  | mechanical load | cycles        | 20000000 |                          |
| Mirror contacts according to IEC/EN 60947-4-1      |                 |               |          | yes                      |
| EMC compatibility                                  |                 |               |          | yes                      |
| <b>AC coil operating</b>                           |                 |               |          |                          |
| Rated AC voltage at 50/60Hz                        | V               | 24            |          |                          |
| Rated AC voltage at 60Hz                           | V               | 120           |          |                          |
| AC operating voltage                               |                 |               |          |                          |
| of 50/60Hz coil powered at 50Hz                    | pick-up         | min           | %Us      | 80                       |
|  |                 | max           | %Us      | 110                      |
|  | drop-out        | min           | %Us      | 20                       |
|  |                 | max           | %Us      | 55                       |
| of 50/60Hz coil powered at 60Hz                    | pick-up         | min           | %Us      | 85                       |
|  |                 | max           | %Us      | 110                      |
|  | drop-out        | min           | %Us      | 20                       |
|  |                 | max           | %Us      | 55                       |
| of 60Hz coil powered at 60Hz                       | pick-up         | min           | %Us      | 80                       |
|  |                 | max           | %Us      | 110                      |
|  | drop-out        | min           | %Us      | 20                       |
|  |                 | max           | %Us      | 55                       |

|  |                       |          |      |
|--|-----------------------|----------|------|
|  | min                   | %Us      | 20   |
|  | max                   | %Us      | 55   |
| AC average coil consumption at 20°C              |                       |          |      |
| of 50/60Hz coil powered at 50Hz                  |                       |          |      |
|  | in-rush               | VA       | 75   |
|  | holding               | VA       | 9    |
| of 50/60Hz coil powered at 60Hz                  |                       |          |      |
|  | in-rush               | VA       | 70   |
|  | holding               | VA       | 6.5  |
| of 60Hz coil powered at 60Hz                     |                       |          |      |
|  | in-rush               | VA       | 75   |
|  | holding               | VA       | 9    |
| Dissipation at holding ≤20°C 50Hz                |                       | W        | 2.5  |
| <b>Max cycles frequency</b>                      |                       |          |      |
| Mechanical operation                             |                       | cycles/h | 3600 |
| <b>Operating times</b>                           |                       |          |      |
| Average time for Us control                      |                       |          |      |
| in AC  |                       |          |      |
| Closing NO                                       |                       |          |      |
|  | min                   | ms       | 8    |
|  | max                   | ms       | 24   |
| Opening NO                                       |                       |          |      |
|  | min                   | ms       | 10   |
|  | max                   | ms       | 20   |
| Closing NC                                       |                       |          |      |
|  | min                   | ms       | 14   |
|  | max                   | ms       | 28   |
| Opening NC                                       |                       |          |      |
|  | min                   | ms       | 7    |
|  | max                   | ms       | 18   |
| <b>UL technical data</b>                         |                       |          |      |
| Full-load current (FLA) for three-phase AC motor |                       |          |      |
|  | at 600V               | A        | 20   |
| Locked rotor current (LRA)                       |                       | A        | 120  |
| Yielded mechanical performance                   |                       |          |      |
| for single-phase AC motor                        |                       |          |      |
|  | 110/120V              | HP       | 1.5  |
|  | 230V                  | HP       | 3    |
| for three-phase AC motor                         |                       |          |      |
|  | 200/208V              | HP       | 5    |
|  | 220/230V              | HP       | 5    |
|  | 460/480V              | HP       | 10   |
|  | 575/600V              | HP       | 15   |
| General USE                                      |                       |          |      |
| Contactor  |                       |          |      |
|  | AC current            | A        | 25   |
| Auxiliary contacts                               |                       |          |      |
|  | AC voltage            | V        | 600  |
|  | AC current            | A        | 10   |
|  | DC voltage            | V        | 250  |
|  | DC current            | A        | 1    |
| Short-circuit protection fuse, 600V              |                       |          |      |
| Standard fault                                   |                       |          |      |
|  | Short circuit current | kA       | 5    |

|             |   |     |
|-------------|---|-----|
| Fuse rating | A | 70  |
| Fuse class  |   | RK5 |

Contact rating of auxiliary contacts according to UL A600 - P600

**Ambient conditions**

Temperature

Operating temperature

|     |    |     |
|-----|----|-----|
| min | °C | -50 |
| max | °C | 70  |

Storage temperature

|     |    |     |
|-----|----|-----|
| min | °C | -60 |
| max | °C | 80  |

Max altitude

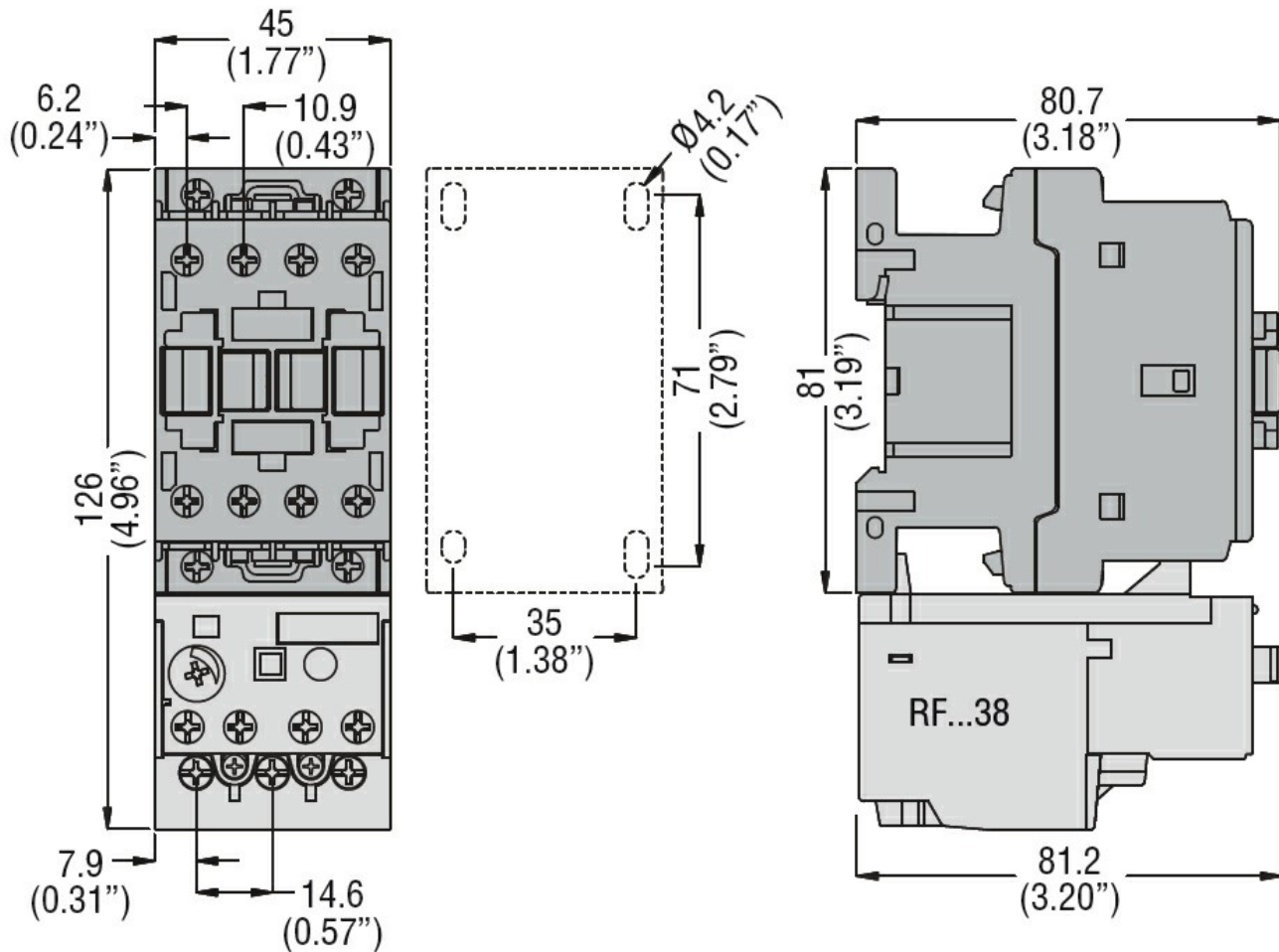
m 3000

**Resistance & Protection**

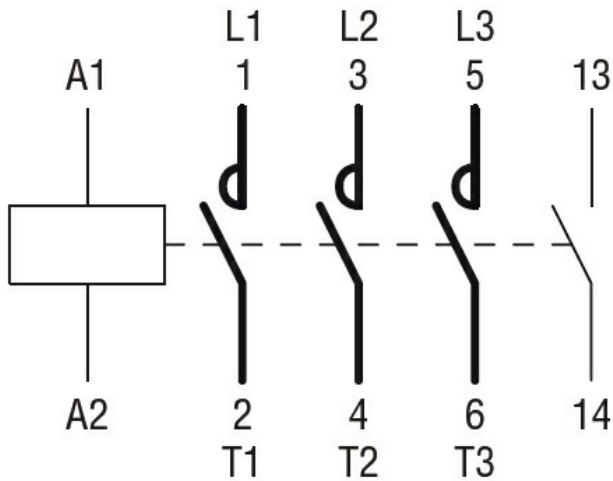
Pollution degree

3

**Dimensions**



**Wiring diagrams**



**Certifications and compliance**

Compliance

CSA C22.2 n° 60947-1

CSA C22.2 n° 60947-4-7

UL 60947-1

UL 60947-4-1

Certificates

cULus

**ETIM classification**

ETIM 8.0

EC000066 -  
 Power contactor,  
 AC switching