



Universal base to screw fix for BF09...BF38 BFX8901

Product designation

Product type designation

**Mechanical features**

Weight g 16

**AC coil operating**

Rated AC voltage at 60Hz V 24

AC operating voltage

of 60Hz coil powered at 60Hz pick-up

min %Us 80  
max %Us 110

drop-out

min %Us 20  
max %Us 55

AC average coil consumption at 20°C

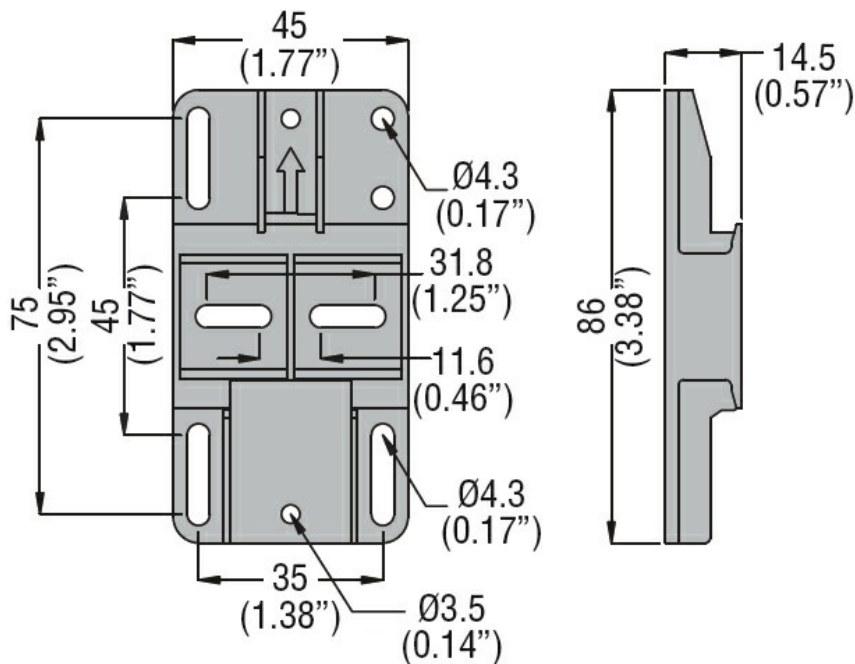
of 60Hz coil powered at 60Hz

in-rush VA 75  
holding VA 9

Dissipation at holding ≤20°C 50Hz

W 2.5

**Dimensions**



**Certifications and compliance**

Certificates

EAC

**ETIM classification**

ETIM 8.0

EC002498 -  
Accessories/spare  
parts for low-  
voltage switch  
technology