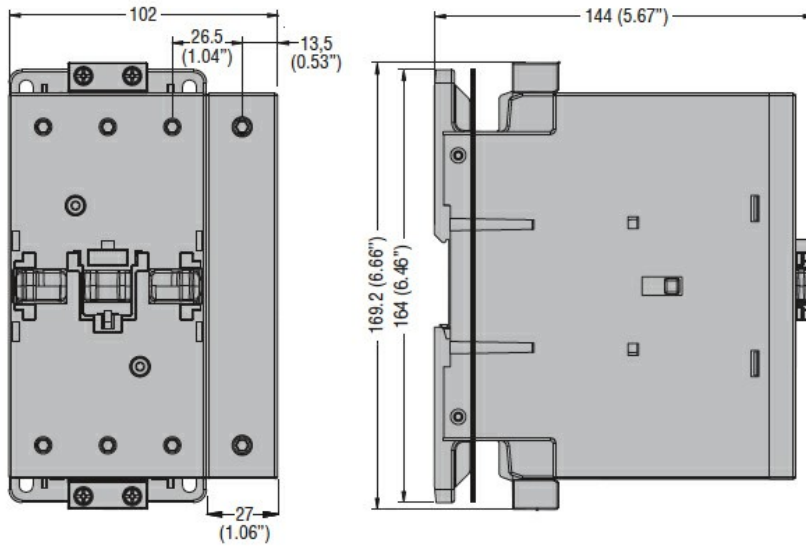




## Dimensions



## Certifications and compliance

### Compliance

CSA C22.2 n° 60947-1  
CSA C22.2 n° 60947-4-1  
IEC/EN 60947-1  
IEC/EN 60947-4-1  
UL 60947-1  
UL 60947-4-1

### Certificates

cULus

## ETIM classification

ETIM 8.0

EC002498 -  
Accessories/spare  
parts for low-  
voltage switch  
technology