



Product designation

Product type designation

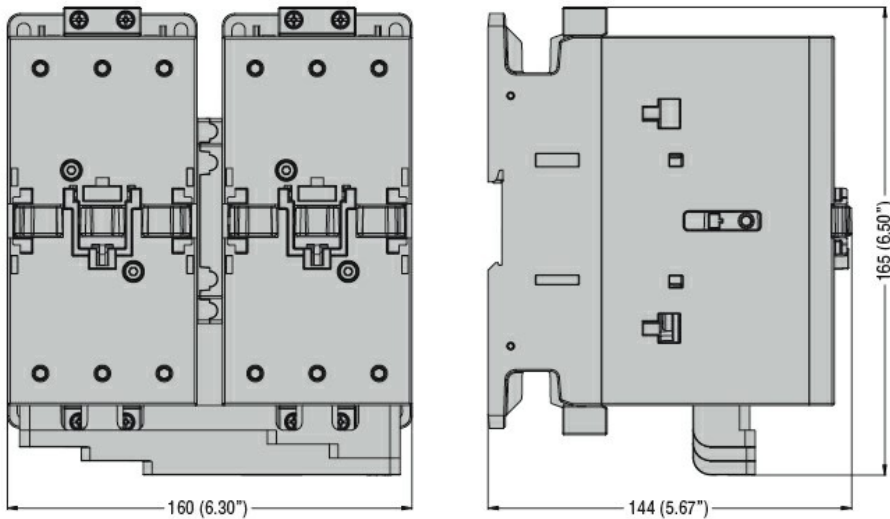
**Mechanical features**

Weight

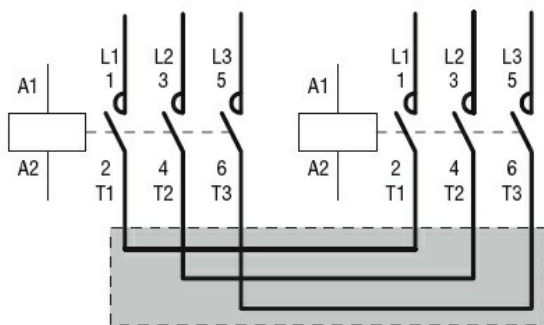
g 200

**Dimensions**

Rigid connecting  
 kits for  
 changeover. For  
 BF95...BF150  
 BFX3461



**Wiring diagrams**



**ETIM classification**

ETIM 8.0

EC002498 -  
 Accessories/spare  
 parts for low-  
 voltage switch  
 technology