

Product designation

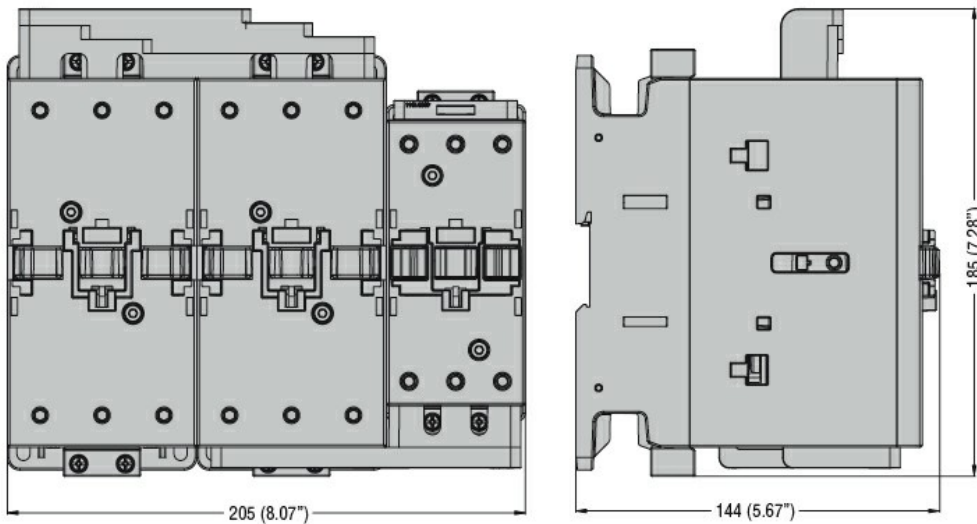
Product type designation

Mechanical features

Weight

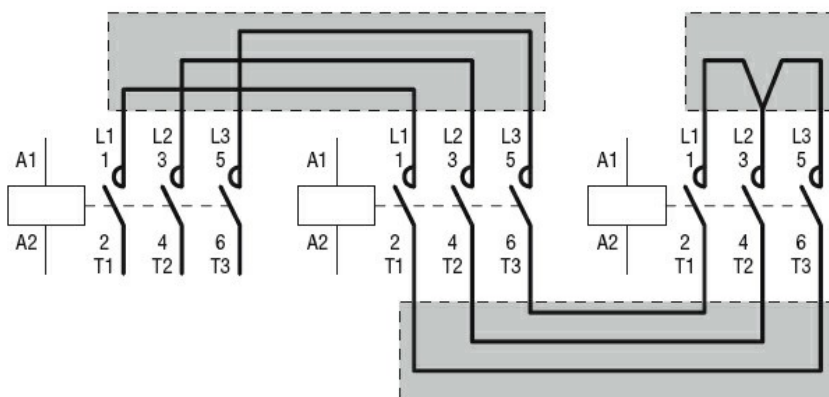
g 250

Dimensions



Rigid connecting kits for star-delta starter. For BF95...BF150 (L/Δ) BF40...BF94 (λ) BFX3432

Wiring diagrams



Certifications and compliance

Compliance

CSA C22.2 n° 60947-1

IEC/EN 60947-1

UL 60947-1

Certificates

cULus
EAC

ETIM classification

ETIM 8.0

EC002498 -
Accessories/spare
parts for low-
voltage switch
technology