

Rigid connecting kits for star-delta starter. For BF40...BF94 (L/Δ) BF26...BF38 (Λ) BFX3332

Product designation

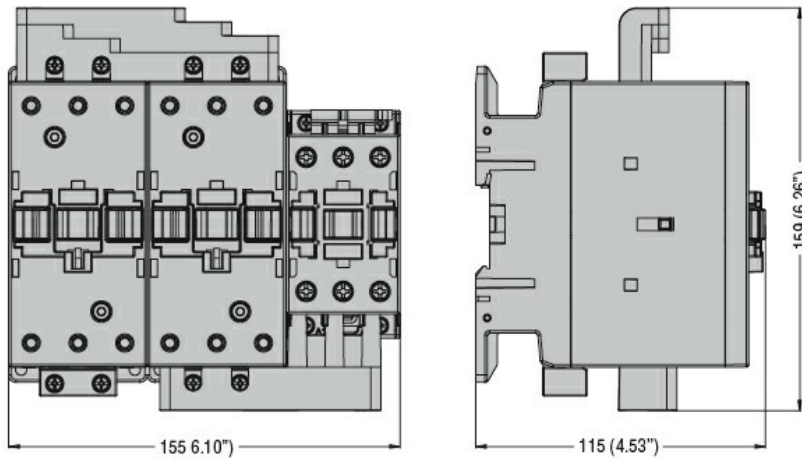
Product type designation

**Mechanical features**

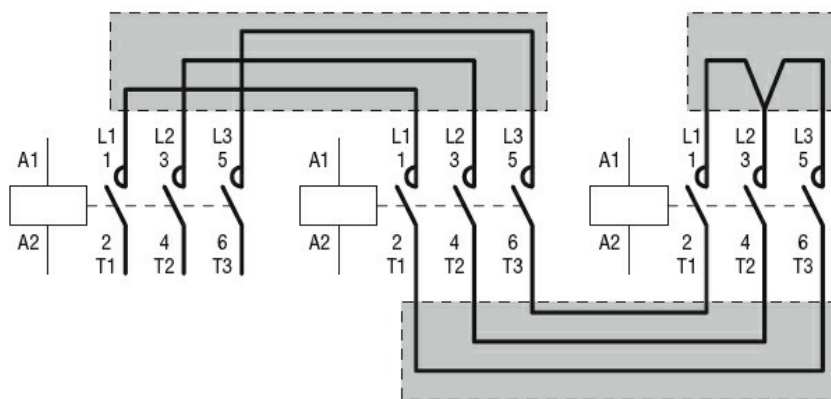
Weight

g 200

**Dimensions**



**Wiring diagrams**



**Certifications and compliance**

Compliance

CSA C22.2 n° 60947-1

IEC/EN 60947-1

UL 60947-1

Certificates

cULus

EAC

ETIM classification

ETIM 8.0

EC002498 -  
Accessories/spare  
parts for low-  
voltage switch  
technology