



3P Rigid connecting kits for BF40...BF94 BFX3301

Product designation

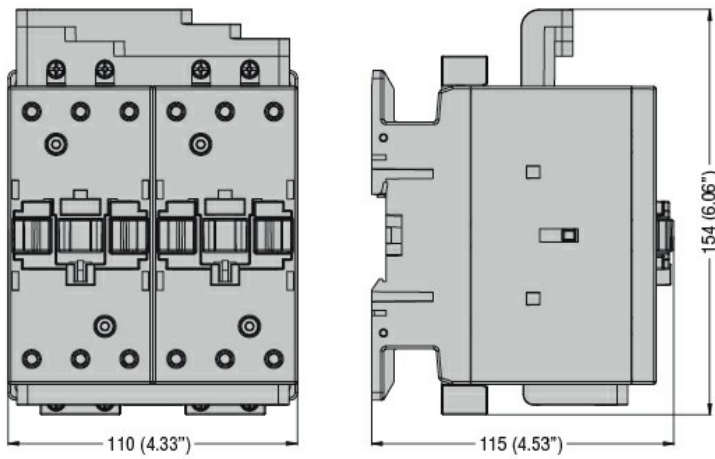
Product type designation

Mechanical features

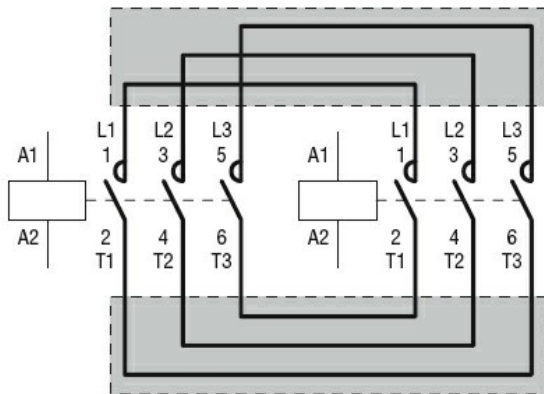
Weight

g 150

Dimensions



Wiring diagrams



Certifications and compliance

Compliance

CSA C22.2 n° 60947-1

IEC/EN 60947-1

UL 60947-1

Certificates

cULus

EAC

ETIM classification

ETIM 8.0

EC002498 -
Accessories/spare
parts for low-
voltage switch
technology