



Product designation

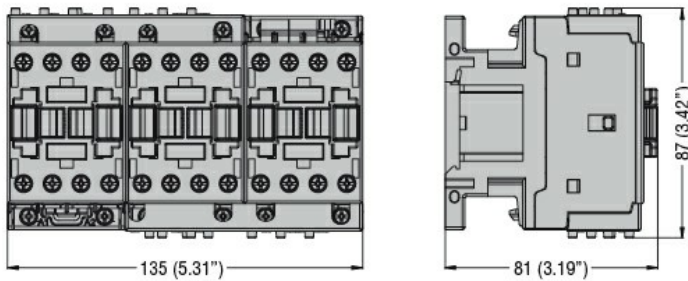
Product type designation

**Mechanical features**

Weight

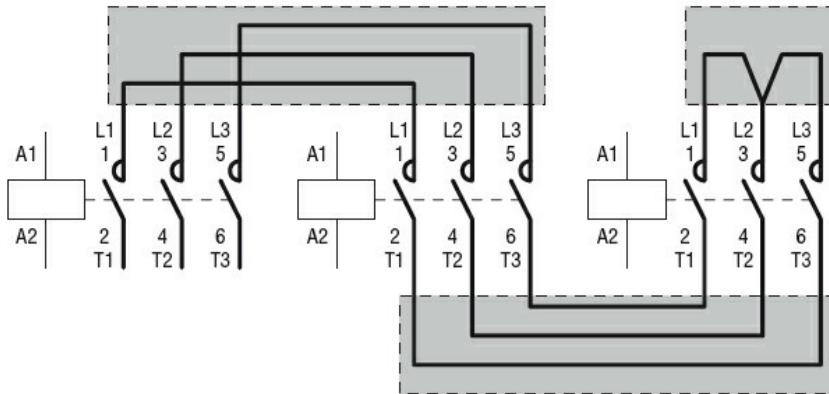
g 58

**Dimensions**



Rigid connecting kits for star-delta starter. For BF09...BF25 BFX3131

**Wiring diagrams**



**Certifications and compliance**

Compliance

CSA C22.2 n° 60947-1  
IEC/EN 60947-1  
UL 60947-1

Certificates

cULus  
EAC

**ETIM classification**

ETIM 8.0

EC002498 - Accessories/spare parts for low-voltage switch technology