



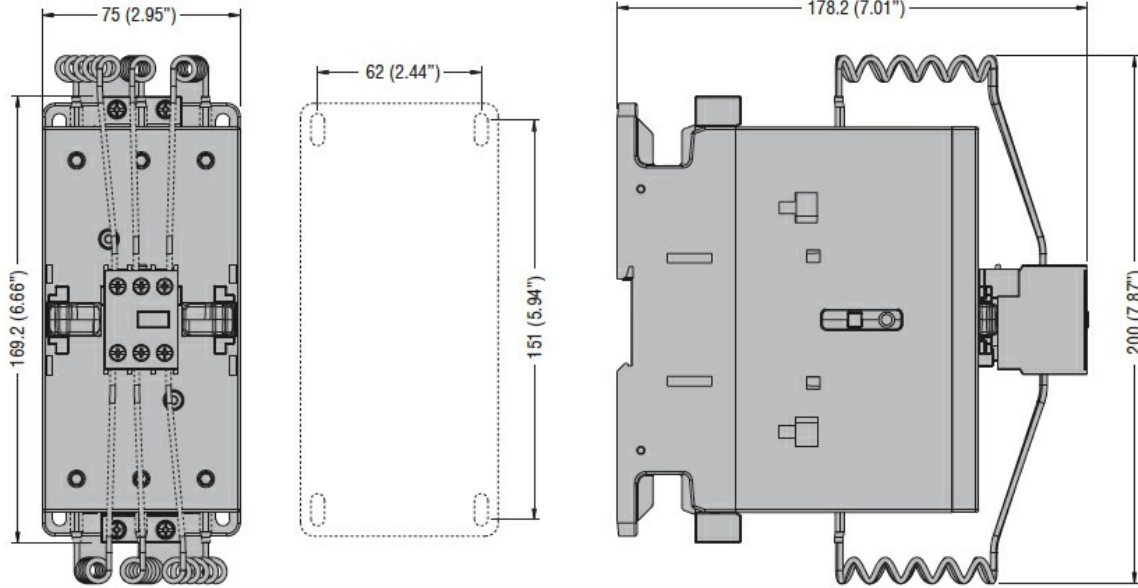
Product designation Power contactor
Product type designation BFK95

Contact characteristics

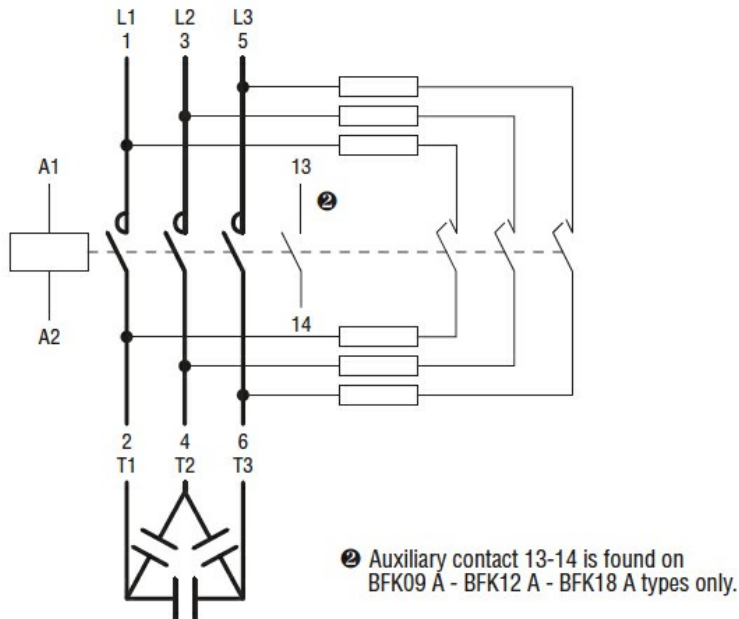
| | | | |
|---|------------|-----------|------|
| Number of poles | Nr. | 3 | |
| Rated insulation voltage U_i IEC/EN | V | 690 | |
| Rated impulse withstand voltage U_{imp} | kV | 8 | |
| Operational frequency | min | Hz | 25 |
| | max | Hz | 400 |
| IEC Conventional free air thermal current I_{th} | A | 140 | |
| Rated operational power AC-6b ($T \leq 40^\circ C$) | 230V | kvar | 34 |
| | 400V | kvar | 60 |
| | 440...480V | kvar | 75 |
| | 690V | kvar | 80 |
| Short-time allowable current for 10s (IEC/EN60947-1) | A | 760 | |
| Protection fuse | gG (IEC) | A | 125 |
| | | A | 1200 |
| Making capacity (RMS value) | A | 1200 | |
| Breaking capacity at voltage | 440V | A | 1100 |
| | 500V | A | 775 |
| | 690V | A | 745 |
| Resistance per pole (average value) | $m\Omega$ | 0.45 | |
| Power dissipation per pole (average value) | I_{th} | W | 8.8 |
| | | | |
| Tightening torque for terminals | min | Nm | 6 |
| | max | Nm | 7 |
| | min | I_{bin} | 4.4 |
| | max | I_{bin} | 5.2 |
| Tightening torque for coil terminal | min | Nm | 0.8 |
| | max | Nm | 1 |
| | min | I_{bin} | 0.59 |
| | max | I_{bin} | 0.74 |
| Max number of wires simultaneously connectable | Nr. | 2 | |
| Conductor section | AWG/Kcmil | | |
| | max | | 2/0 |
| Flexible w/o lug conductor section | min | mm^2 | 1.5 |
| | max | mm^2 | 70 |
| Flexible c/w lug conductor section | min | mm^2 | 1.5 |

| | | | | |
|---|--------------------------------------|----------------------------|-----------------|-----------------------|
| | | max | mm ² | 70 |
| Power terminal protection according to IEC/EN 60529 | | | | IP20 front |
| Mechanical features | | | | |
| Operating position | | normal allowable | | Vertical plan ±30° |
| Fixing | | | | Screw / DIN rail 35mm |
| Weight | | | g | 2095 |
| Conductor section | AWG/kcmil conductor section | max | | 2/0 |
| Operations | | | | |
| Mechanical life | | | cycles | 15000000 |
| Electrical life | | | cycles | 400000 |
| Safety related data | | | | |
| Performance level B10d according to EN/ISO 13489-1 | | rated load mechanical load | cycles cycles | 400000 15000000 |
| EMC compatibility | | | | yes |
| AC coil operating | | | | |
| Rated AC voltage at 60Hz | | | V | 575 |
| AC operating voltage | of 60Hz coil powered at 60Hz pick-up | min | %Us | 80 |
| | | max | %Us | 110 |
| | drop-out | min | %Us | 20 |
| | | max | %Us | 55 |
| Dissipation at holding ≤20°C 50Hz | | | W | 6.5 |
| Max cycles frequency | | | | |
| Mechanical operation | | | cycles/h | 1500 |
| Operating times | | | | |
| Average time for Us control in AC | Closing NO | min | ms | 16 |
| | | max | ms | 32 |
| | Opening NO | min | ms | 9 |
| | | max | ms | 24 |
| UL technical data | | | | |
| General USE | Contactor | AC current | A | 140 |
| Ambient conditions | | | | |
| Temperature | Operating temperature | min | °C | -50 |
| | | max | °C | 70 |
| | Storage temperature | min | °C | -60 |
| | | max | °C | 80 |

| | | |
|------------------------------------|---|------|
| Max altitude | m | 3000 |
| Resistance & Protection | | |
| Pollution degree | | 3 |
| Dimensions | | |



Wiring diagrams



Certifications and compliance

| | |
|------------|------------------------|
| Compliance | CSA C22.2 n° 60947-1 |
| | CSA C22.2 n° 60947-4-1 |
| | IEC/EN/BS 60947-1 |
| | IEC/EN/BS 60947-4-1 |
| | UL 60947-1 |
| | UL 60947-4-1 |

| | |
|--------------|-------|
| Certificates | CCC |
| | cULus |

ETIM classification

ETIM 8.0

EC001079 -
Capacitor
contactor