



Product designation				Power contactor
Product type designation				BFK150
<b>Contact characteristics</b>				
Number of poles	Nr.			3
Rated insulation voltage $U_i$ IEC/EN	V			690
Rated impulse withstand voltage $U_{imp}$	kV			8
Operational frequency	min	Hz	25	
	max	Hz	400	
IEC Conventional free air thermal current $I_{th}$	A			165
Rated operational power AC-6b ( $T \leq 40^\circ C$ )	230V	kvar	50	
	400V	kvar	100	
	440...480V	kvar	115	
	690V	kvar	150	
Short-time allowable current for 10s (IEC/EN60947-1)	A			1200
Protection fuse	gG (IEC)	A	160	
		A	1500	
Making capacity (RMS value)				1500
Breaking capacity at voltage	440V	A	1200	
	500V	A	1025	
	690V	A	905	
		m $\Omega$	0.45	
Resistance per pole (average value)				0.45
Power dissipation per pole (average value)	lth	W	12	
Tightening torque for terminals	min	Nm	6	
	max	Nm	7	
	min	lbin	4.4	
	max	lbin	5.2	
Tightening torque for coil terminal	min	Nm	0.8	
	max	Nm	1	
	min	lbin	0.59	
	max	lbin	0.74	
Max number of wires simultaneously connectable	Nr.			2
Conductor section	AWG/Kcmil			
	max			2/0
Flexible w/o lug conductor section	min	mm <sup>2</sup>	1.5	
	max	mm <sup>2</sup>	70	
Flexible c/w lug conductor section	min	mm <sup>2</sup>	1.5	

		max	mm <sup>2</sup>	70
Power terminal protection according to IEC/EN 60529				IP20 front
<b>Mechanical features</b>				
Operating position		normal allowable		Vertical plan ±30°
Fixing				Screw / DIN rail 35mm
Weight			g	2095
Conductor section	AWG/kcmil conductor section	max		2/0
<b>Operations</b>				
Mechanical life			cycles	15000000
Electrical life			cycles	800000
<b>Safety related data</b>				
Performance level B10d according to EN/ISO 13489-1		rated load mechanical load	cycles cycles	400000 15000000
EMC compatibility				yes
<b>AC coil operating</b>				
Rated AC voltage at 60Hz			V	230
AC operating voltage	of 60Hz coil powered at 60Hz pick-up	min	%Us	80
		max	%Us	110
	drop-out	min	%Us	20
		max	%Us	55
AC average coil consumption at 20°C	of 60Hz coil powered at 60Hz	in-rush holding	VA VA	300 20
Dissipation at holding ≤20°C 50Hz			W	6.5
<b>Max cycles frequency</b>				
Mechanical operation			cycles/h	1500
<b>Operating times</b>				
Average time for Us control in AC	Closing NO	min	ms	16
		max	ms	32
	Opening NO	min	ms	9
		max	ms	24
<b>UL technical data</b>				
General USE	Contactor	AC current	A	165
<b>Ambient conditions</b>				
Temperature	Operating temperature			

min	°C	-50
max	°C	70

Storage temperature

min	°C	-60
max	°C	80
	m	3000

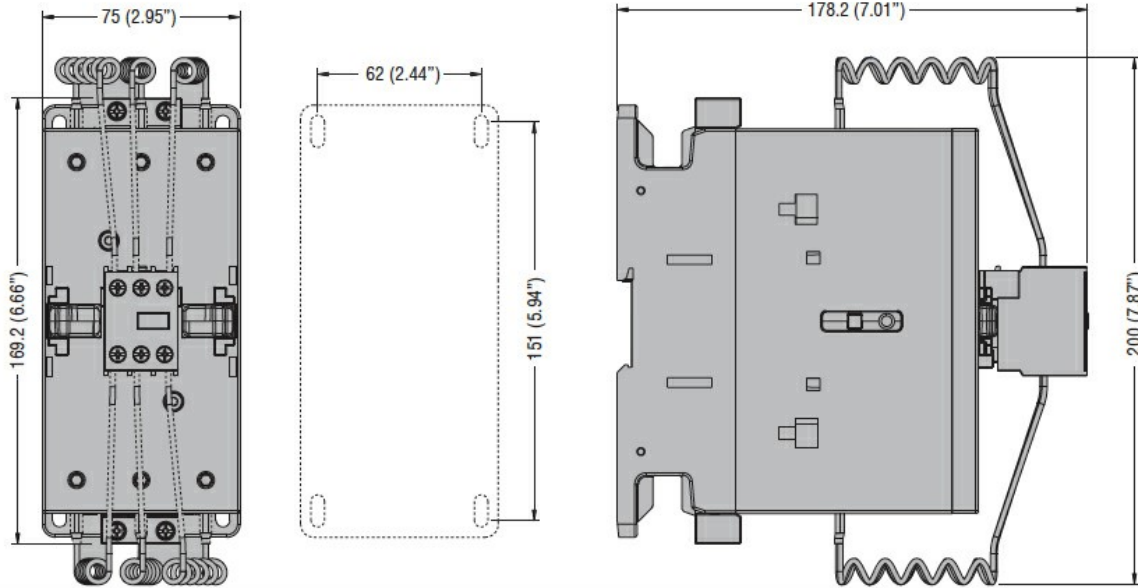
Max altitude

**Resistance & Protection**

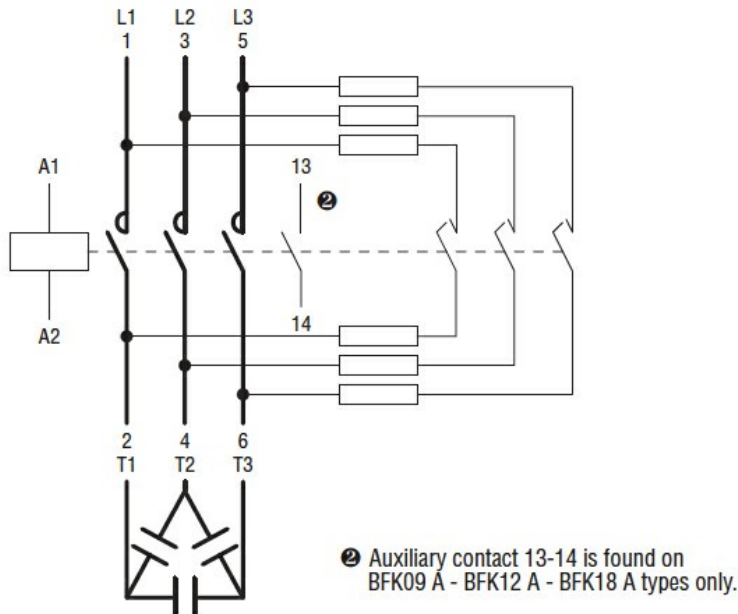
Pollution degree

3

**Dimensions**



**Wiring diagrams**



**Certifications and compliance**

Compliance

CSA C22.2 n° 60947-1

CSA C22.2 n° 60947-4-1

IEC/EN/BS 60947-1

IEC/EN/BS 60947-4-1

UL 60947-1

UL 60947-4-1

---

Certificates

CCC

---

cULus

ETIM classification

ETIM 8.0

EC001079 -  
Capacitor  
contactor