



Product designation				Power contactor
Product type designation				BFK09
<b>Contact characteristics</b>				
Number of poles	Nr.			3
Rated insulation voltage $U_i$ IEC/EN	V			690
Rated impulse withstand voltage $U_{imp}$	kV			6
Operational frequency	min	Hz	25	
	max	Hz	400	
IEC Conventional free air thermal current $I_{th}$	A			25
Rated operational power AC-6b ( $T \leq 40^\circ C$ )	230V	kvar	4.5	
	400V	kvar	7.5	
	440...480V	kvar	9	
	690V	kvar	10	
Short-time allowable current for 10s (IEC/EN60947-1)	A			150
Protection fuse	gG (IEC)	A	16	
		A	90	
Making capacity (RMS value)				90
Breaking capacity at voltage	440V	A	72	
	500V	A	72	
	690V	A	71	
Resistance per pole (average value)		m $\Omega$	2.5	
Power dissipation per pole (average value)		lth	W	1.6
		min	Nm	1.5
Tightening torque for terminals		max	Nm	1.8
		min	Ibin	1.1
		max	Ibin	1.5
		min	Nm	0.8
Tightening torque for coil terminal		max	Nm	1
		min	Ibin	0.8
		max	Ibin	0.74
		min	Nm	0.8
Max number of wires simultaneously connectable	Nr.			2
Conductor section	AWG/Kcmil	max	10	
	Flexible w/o lug conductor section	min	mm <sup>2</sup>	1
		max	mm <sup>2</sup>	6
Flexible c/w lug conductor section	min	mm <sup>2</sup>	1	

	max	mm <sup>2</sup>	4
Flexible with insulated spade lug conductor section	min	mm <sup>2</sup>	1
	max	mm <sup>2</sup>	4
Power terminal protection according to IEC/EN 60529			IP20 when properly wired
<b>Mechanical features</b>			
Operating position	normal allowable		Vertical plan ±30°
Fixing			Screw / DIN rail 35mm
Weight		g	416
Conductor section	AWG/kcmil conductor section		
	max		10
<b>Auxiliary contact characteristics</b>			
Thermal current I <sub>th</sub>		A	10
IEC/EN 60947-5-1 designation			A600 - P600
Operating current AC15	230V	A	3
	400V	A	1.9
	500V	A	1.4
Operating current DC12	110V	A	5.7
Operating current DC13	24V	A	5.7
	48V	A	2.9
	60V	A	2.3
	110V	A	1.25
	125V	A	1.1
	220V	A	0.6
	600V	A	0.1
<b>Operations</b>			
Mechanical life		cycles	20000000
Electrical life		cycles	400000
<b>Safety related data</b>			
Performance level B10d according to EN/ISO 13489-1	rated load	cycles	400000
	mechanical load	cycles	20000000
Mirror contacts according to IEC/EN 60947-4-1			YES
EMC compatibility			yes
<b>AC coil operating</b>			
Rated AC voltage at 60Hz		V	575
AC operating voltage	of 60Hz coil powered at 60Hz		
	pick-up		
	min	%Us	80
	max	%Us	110
	drop-out		
	min	%Us	20
	max	%Us	55
AC average coil consumption at 20°C			

of 60Hz coil powered at 60Hz

	in-rush	VA	75
	holding	VA	9
Dissipation at holding ≤20°C 50Hz		W	2.5

**Max cycles frequency**

Mechanical operation		cycles/h	3600
----------------------	--	----------	------

**Operating times**

Average time for Us control  
in AC

Closing NO	min	ms	8
	max	ms	24
Opening NO	min	ms	10
	max	ms	20
Closing NC	min	ms	14
	max	ms	28

**UL technical data**

General USE

Contactor

AC current	A	25
------------	---	----

Auxiliary contacts

AC voltage	V	600
AC current	A	10
DC voltage	V	250
DC current	A	1

Contact rating of auxiliary contacts according to UL

A600 - P600

**Ambient conditions**

Temperature

Operating temperature

min	°C	-50
max	°C	70

Storage temperature

min	°C	-60
max	°C	80

Max altitude

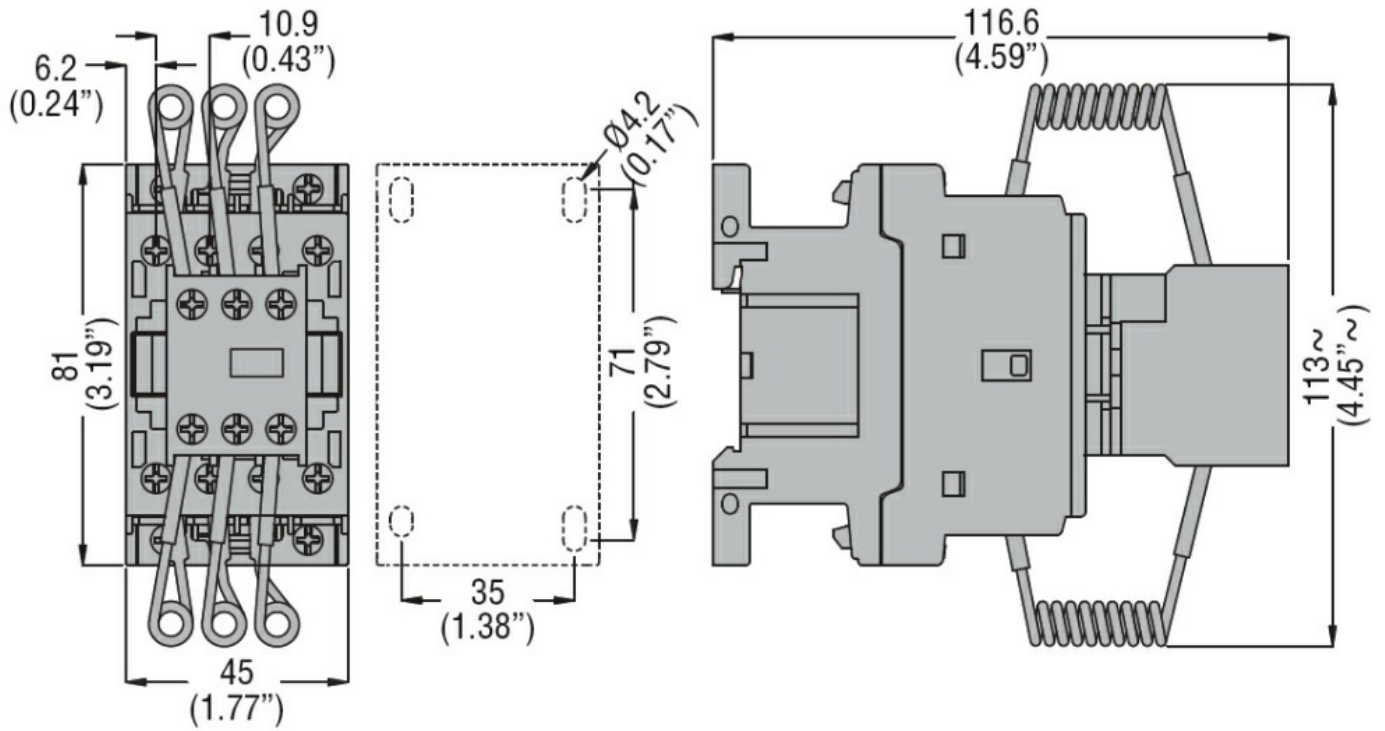
m 3000

**Resistance & Protection**

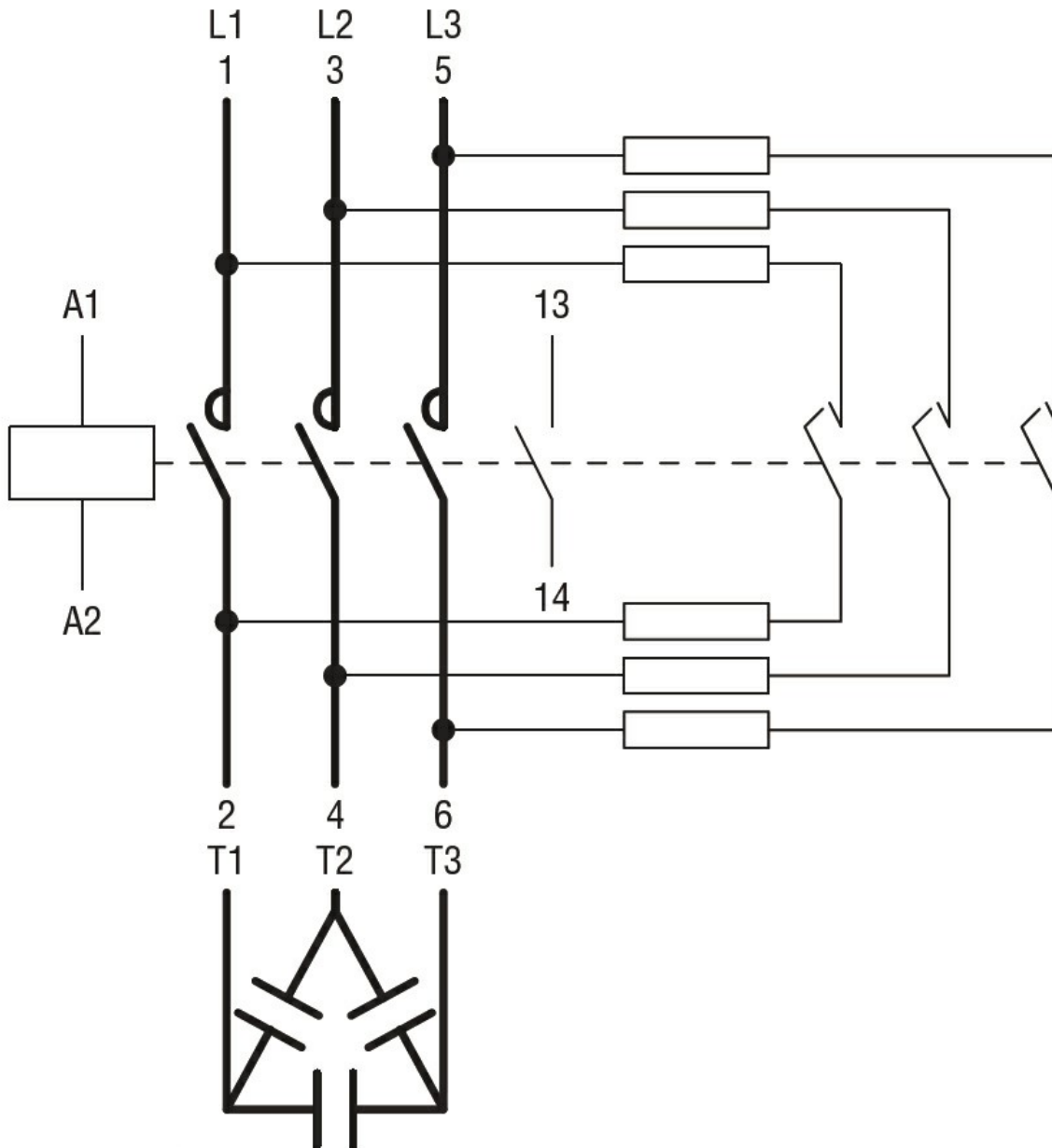
Pollution degree

3

**Dimensions**



Wiring diagrams



**Certifications and compliance**

Compliance

- CSA C22.2 n° 60947-1
- CSA C22.2 n° 60947-4-1
- IEC/EN/BS 60947-1
- IEC/EN/BS 60947-4-1
- UL 60947-1
- UL 60947-4-1

Certificates

- CCC
- cULus
- EAC

**ETIM classification**

ETIM 8.0

EC001079 -  
Capacitor  
contactor