



Product designation				Power contactor
Product type designation				BFD65
<b>Contact characteristics</b>				
Number of poles	Nr.			3
Rated insulation voltage $U_i$ IEC/EN	V			1000
Rated impulse withstand voltage $U_{imp}$	kV			8
Operational frequency	min	Hz	25	
	max	Hz	400	
IEC Conventional free air thermal current $I_{th}$	A			115
Operational current $I_e$	AC-1 ( $\leq 55^\circ\text{C}$ )		A	130
	400V	A	100	
IEC max current $I_e$ in DC1 with $L/R \leq 1\text{ms}$ with 3 poles in series	600V	A	75	
	800V	A	45	
	1000V	A	35	
			A	640
Short-time allowable current for 10s (IEC/EN60947-1)			A	640
	Protection fuse			
		gG (IEC)	A	125
		aM (IEC)	A	80
Resistance per pole (average value)			m $\Omega$	0.6
Power dissipation per pole (average value)			lth	W
			W	7.9
Tightening torque for terminals	min	Nm	4	
	max	Nm	5	
	min	lbin	2.95	
	max	lbin	3.69	
Tightening torque for coil terminal	min	Nm	0.8	
	max	Nm	1	
	min	lbin	0.8	
	max	lbin	0.74	
Max number of wires simultaneously connectable			Nr.	2
Conductor section	AWG/Kcmil			
			max	2
Flexible w/o lug conductor section	min	mm <sup>2</sup>	1.5	
	max	mm <sup>2</sup>	35	
Flexible c/w lug conductor section	min	mm <sup>2</sup>	1.5	
	max	mm <sup>2</sup>	35	
Power terminal protection according to IEC/EN 60529				IP20 front

### Mechanical features

Operating position	normal allowable	Vertical plan ±30°
Fixing		Screw / DIN rail 35mm
Weight		g 1240
Conductor section	AWG/kcmil conductor section	
	max	2

### Operations

Mechanical life	cycles	15000000
-----------------	--------	----------

### Safety related data

Performance level B10d according to EN/ISO 13489-1

	mechanical load	cycles	15000000
EMC compatibility			yes

### AC coil operating

Rated AC voltage at 50/60Hz	V	110
-----------------------------	---	-----

AC operating voltage

of 50/60Hz coil powered at 50Hz  
pick-up

min	%Us	80
max	%Us	110

drop-out

min	%Us	20
max	%Us	55

of 50/60Hz coil powered at 60Hz  
pick-up

min	%Us	85
max	%Us	110

drop-out

min	%Us	20
max	%Us	55

AC average coil consumption at 20°C

of 50/60Hz coil powered at 50Hz

in-rush	VA	210
holding	VA	15

of 50/60Hz coil powered at 60Hz

in-rush	VA	195
holding	VA	13

of 60Hz coil powered at 60Hz

in-rush	VA	210
holding	VA	15

Dissipation at holding ≤20°C 50Hz

W	5
---	---

### Max cycles frequency

Mechanical operation	cycles/h	3600
----------------------	----------	------

### Operating times

Average time for Us control

in AC

Closing NO

min	ms	12
max	ms	28

Opening NO

min	ms	8
-----	----	---

		max	ms	22
in DC	Closing NO	min	ms	40
		max	ms	85
	Opening NO	min	ms	20
		max	ms	55

**UL technical data**

General USE

Contactor	AC current	A	115
4 poles in series DC1	600V	A	100

**Ambient conditions**

Temperature

Operating temperature	min	°C	-50
	max	°C	70
Storage temperature	min	°C	-60
	max	°C	80

Max altitude

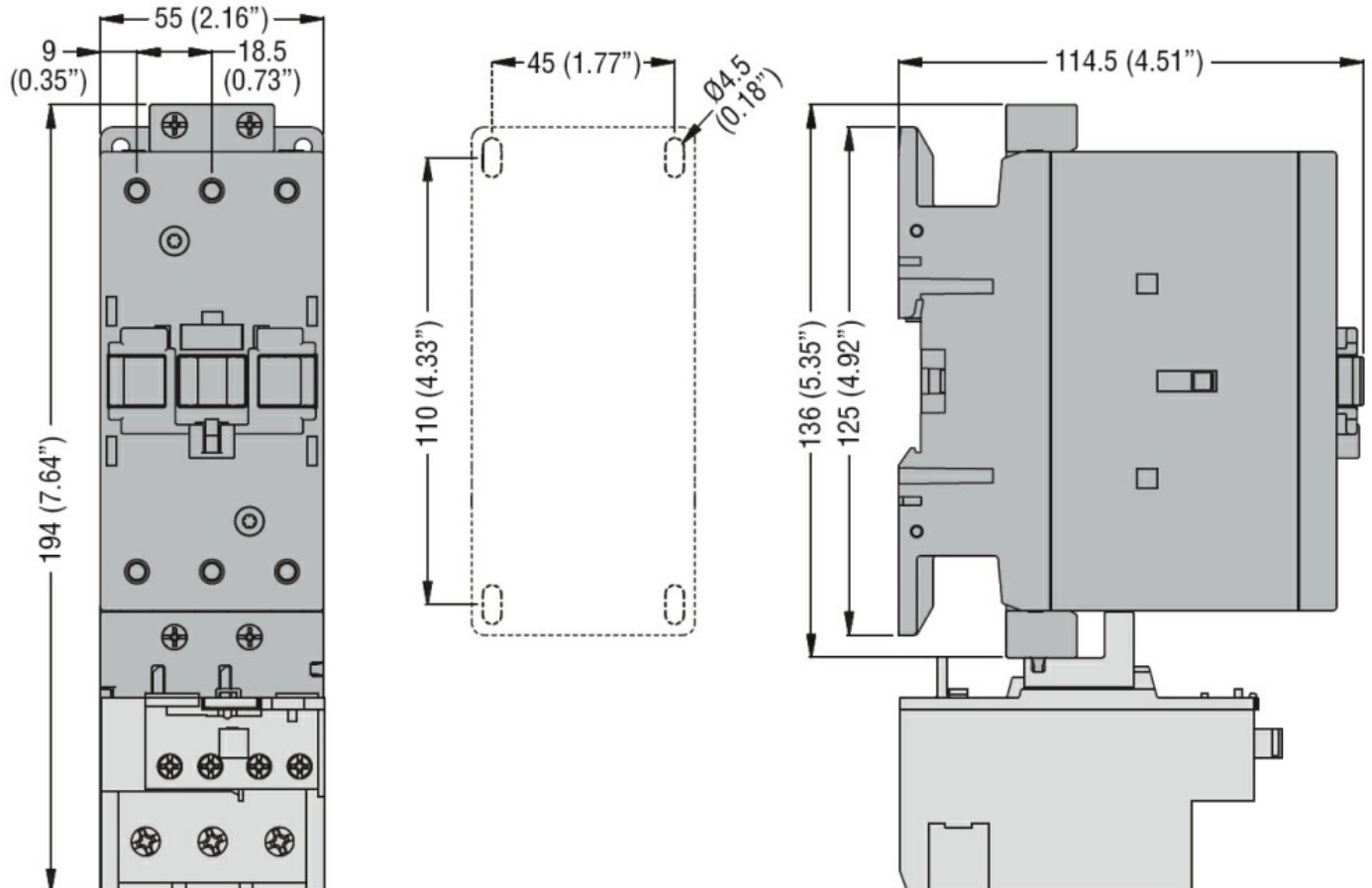
m 3000

**Resistance & Protection**

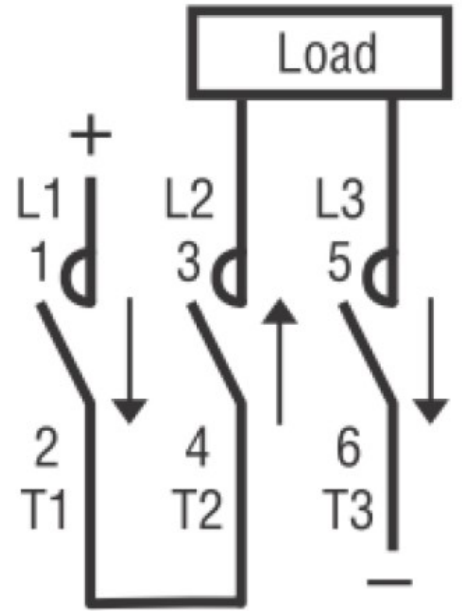
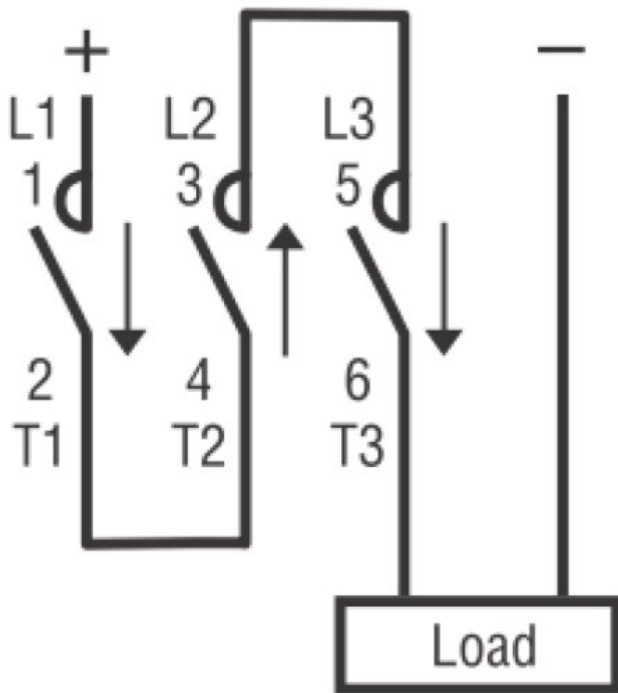
Pollution degree

3

**Dimensions**



**Wiring diagrams**



**Certifications and compliance**

Compliance

CSA C22.2 n° 60947-1

CSA C22.2 n° 60947-4-1

IEC/EN/BS 60947-1

IEC/EN/BS 60947-4-1

UL 60947-1

UL 60947-4-1

**ETIM classification**

ETIM 8.0

EC002552 -  
 Power contactor,  
 DC switching