



Product designation
Product type designation

Power contactor
BF80

Contact characteristics

Number of poles	Nr.	3
Rated insulation voltage U_i IEC/EN	V	1000
Rated impulse withstand voltage U_{imp}	kV	8
Operational frequency	min	Hz 25
	max	Hz 400
IEC Conventional free air thermal current I_{th}	A	115
Operational current I_e	AC-1 ($\leq 40^\circ\text{C}$)	A 115
	AC-1 ($\leq 55^\circ\text{C}$)	A 95
	AC-1 ($\leq 70^\circ\text{C}$)	A 80
	AC-3 ($\leq 440\text{V} \leq 55^\circ\text{C}$)	A 80
	AC-4 (400V)	A 38
Rated operational power AC-3 ($T \leq 55^\circ\text{C}$)	230V	kW 22
	400V	kW 45
	415V	kW 45
	440V	kW 45
	500V	kW 55
	690V	kW 55
	1000V	kW 37
Rated operational current AC-3 ($T \leq 55^\circ\text{C}$)	230V	A 80
	400V	A 80
	415V	A 80
	440V	A 80
	500V	A 78
	690V	A 57
	1000V	A 28
Rated operational power AC-1 ($T \leq 40^\circ\text{C}$)	230V	kW 43
	400V	kW 76
	500V	kW 95
	690V	kW 120
IEC max current I_e in DC1 with $L/R \leq 1\text{ms}$ with 1 poles in series	$\leq 24\text{V}$	A 70
	48V	A 60
	75V	A 60
	110V	A 8
	220V	A —
IEC max current I_e in DC1 with $L/R \leq 1\text{ms}$ with 2 poles in series	$\leq 24\text{V}$	A 100

	48V	A	100
	75V	A	100
	110V	A	80
	220V	A	9
<hr/>			
IEC max current I _e in DC1 with L/R ≤ 1ms with 3 poles in series	≤24V	A	100
	48V	A	100
	75V	A	100
	110V	A	85
	220V	A	95
<hr/>			
IEC max current I _e in DC1 with L/R ≤ 1ms with 4 poles in series	≤24V	A	100
	48V	A	100
	75V	A	100
	110V	A	100
	220V	A	115
<hr/>			
IEC max current I _e in DC3-DC5 with L/R ≤ 15ms with 1 poles in series	≤24V	A	40
	48V	A	30
	75V	A	30
	110V	A	3
	220V	A	–
<hr/>			
IEC max current I _e in DC3-DC5 with L/R ≤ 15ms with 2 poles in series	≤24V	A	60
	48V	A	50
	75V	A	50
	110V	A	40
	220V	A	5
<hr/>			
IEC max current I _e in DC3-DC5 with L/R ≤ 15ms with 3 poles in series	≤24V	A	80
	48V	A	70
	75V	A	70
	110V	A	60
	220V	A	64
<hr/>			
IEC max current I _e in DC3-DC5 with L/R ≤ 15ms with 4 poles in series	≤24V	A	90
	48V	A	90
	75V	A	90
	110V	A	75
	220V	A	80
<hr/>			
Short-time allowable current for 10s (IEC/EN60947-1)		A	640
<hr/>			
Protection fuse	gG (IEC)	A	125
	aM (IEC)	A	80
<hr/>			
Making capacity (RMS value)		A	800
<hr/>			
Breaking capacity at voltage	440V	A	640
	500V	A	625
	690V	A	456
<hr/>			
Resistance per pole (average value)		mΩ	0.6
<hr/>			
Power dissipation per pole (average value)	I _{th}	W	7.9
	AC-3	W	3.8
<hr/>			
Tightening torque for terminals			

	min	Nm	4
	max	Nm	5
	min	I _{bin}	2.95
	max	I _{bin}	3.69
Tightening torque for coil terminal			
	min	Nm	0.8
	max	Nm	1
	min	I _{bin}	0.8
	max	I _{bin}	0.74
Max number of wires simultaneously connectable			Nr. 2
Conductor section			
AWG/Kcmil			
	max		2
Flexible w/o lug conductor section			
	min	mm ²	1.5
	max	mm ²	35
Flexible c/w lug conductor section			
	min	mm ²	1.5
	max	mm ²	35
Power terminal protection according to IEC/EN 60529			IP20 front
Mechanical features			
Operating position			
	normal allowable		Vertical plan ±30°
Fixing			Screw / DIN rail 35mm
Weight			g 1060
Conductor section			
AWG/kcmil conductor section			
	max		2
Operations			
Mechanical life		cycles	15000000
Electrical life		cycles	1300000
Safety related data			
Performance level B10d according to EN/ISO 13489-1			
	rated load	cycles	1300000
	mechanical load	cycles	15000000
Mirror contacts according to IEC/EN 60947-4-1			yes
EMC compatibility			yes
AC coil operating			
Rated AC voltage at 50/60Hz, 60Hz			
	min	V	60
	max	V	110
AC operating voltage			
of 50/60Hz coil powered at 50Hz			
pick-up			
	min	%Us	80 Us min
	max	%Us	110 Us max
drop-out			
	max	%Us	≤70 Us min
of 50/60Hz coil powered at 60Hz			
pick-up			
	min	%Us	80 Us min

		max	%Us	110 Us max
drop-out		max	%Us	≤70 Us min
AC average coil consumption at 20°C				
	of 50/60Hz coil powered at 50Hz	in-rush	VA	35...120
		holding	VA	1.5...3.7
of 50/60Hz coil powered at 60Hz				
		in-rush	VA	35...120
		holding	VA	1.5...3.7
Dissipation at holding ≤20°C 50Hz			W	1...2.5
DC coil operating				
DC rated control voltage				
		min	V	60
		max	V	110
DC operating voltage				
	pick-up	min	%Us	80 Us min
		max	%Us	110 Us max
	drop-out	max	%Us	≤70 Us min
Average coil consumption ≤20°C				
		in-rush	W	23...68
		holding	W	1.2...1,9
Max cycles frequency				
Mechanical operation			cycles/h	1500
Operating times				
Average time for Us control				
	in AC			
	Closing NO	min	ms	12
		max	ms	28
	Opening NO	min	ms	8
		max	ms	22
	in DC			
	Closing NO	min	ms	40
		max	ms	85
	Opening NO	min	ms	20
		max	ms	55
UL technical data				
Full-load current (FLA) for three-phase AC motor				
		at 480V	A	77
		at 600V	A	77
Yielded mechanical performance				
	for three-phase AC motor			
		200/208V	HP	25
		220/230V	HP	30
		460/480V	HP	60
		575/600V	HP	75

General USE

Contactor

	AC current	A	115
Short-circuit protection fuse, 600V High fault	Short circuit current	kA	100
	Fuse rating	A	200
	Fuse class		J
Standard fault	Short circuit current	kA	10
	Fuse rating	A	200
	Fuse class		RK5

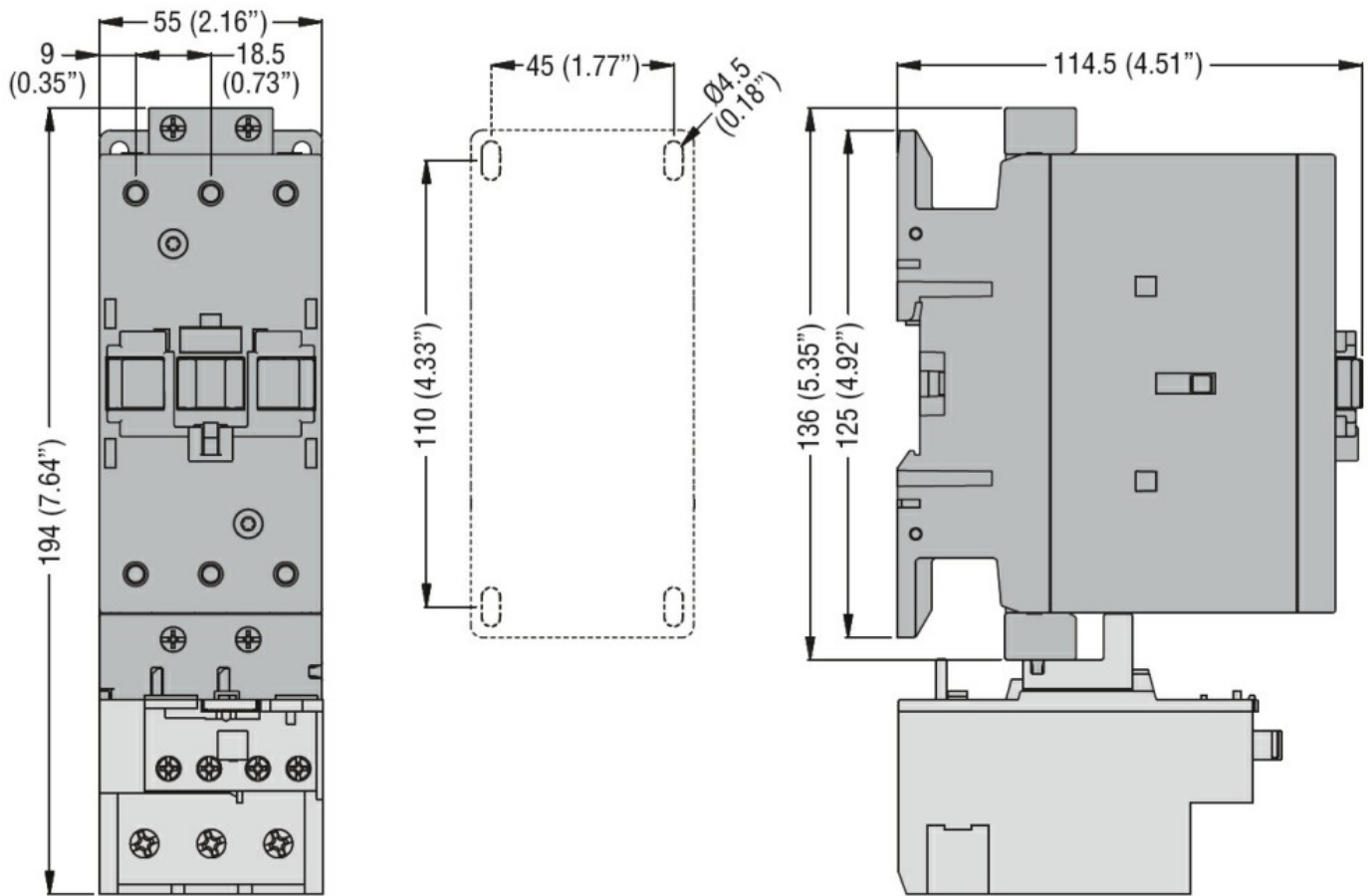
Ambient conditions

Temperature	Operating temperature	min	°C	-40
		max	°C	70
Storage temperature		min	°C	-50
		max	°C	80
Max altitude		m		3000

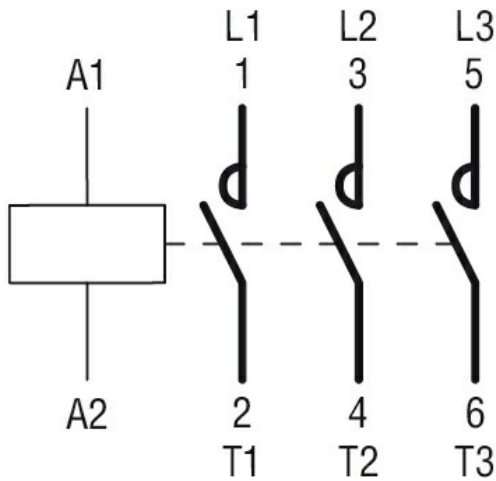
Resistance & Protection

Pollution degree				3
------------------	--	--	--	---

Dimensions



Wiring diagrams



Certifications and compliance

Compliance

CSA C22.2 n° 60947-1

CSA C22.2 n° 60947-4-1

IEC/EN/BS 60947-1

IEC/EN/BS 60947-4-1

UL 60947-1

UL 60947-4-1

Certificates

CCC

cULus

ETIM classification

ETIM 8.0

EC000066 -
 Power contactor,
 AC switching