

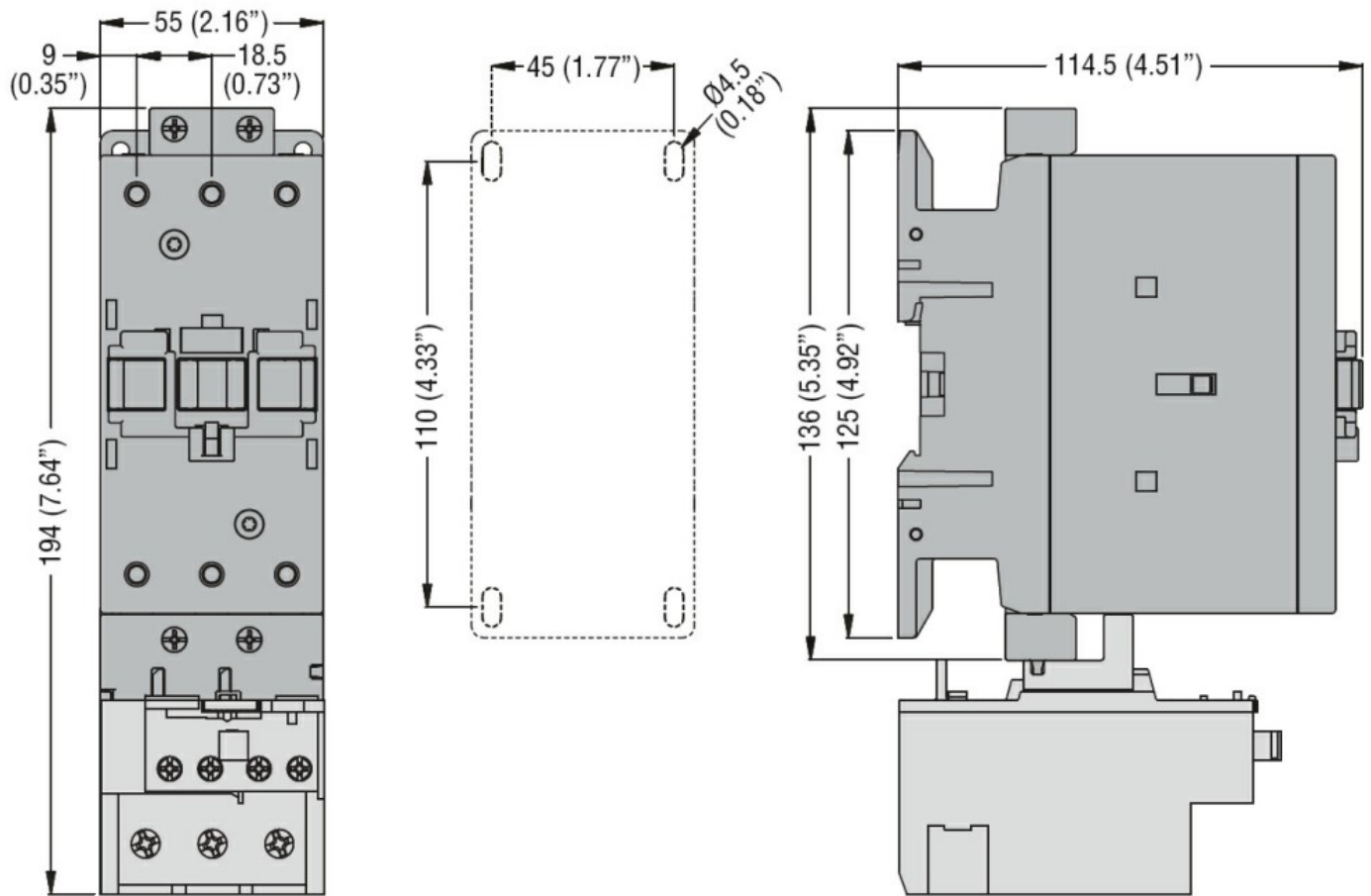


Product designation	Power contactor		
Product type designation	BF80		
<b>Contact characteristics</b>			
Number of poles	Nr.	3	
Rated insulation voltage U <sub>i</sub> IEC/EN	V	1000	
Rated impulse withstand voltage U <sub>imp</sub>	kV	8	
Operational frequency	min	Hz	25
	max	Hz	400
IEC Conventional free air thermal current I <sub>th</sub>	A	115	
Operational current I <sub>e</sub>	AC-1 (≤40°C)	A	115
	AC-1 (≤55°C)	A	95
	AC-1 (≤70°C)	A	80
	AC-3 (≤440V ≤55°C)	A	80
	AC-4 (400V)	A	38
Rated operational power AC-3 (T≤55°C)	230V	kW	22
	400V	kW	45
	415V	kW	45
	440V	kW	45
	500V	kW	55
	690V	kW	55
	1000V	kW	37
Rated operational current AC-3 (T≤55°C)	230V	A	80
	400V	A	80
	415V	A	80
	440V	A	80
	500V	A	78
	690V	A	57
	1000V	A	28
Rated operational power AC-1 (T≤40°C)	230V	kW	43
	400V	kW	76
	500V	kW	95
	690V	kW	120
IEC max current I <sub>e</sub> in DC1 with L/R ≤ 1ms with 1 poles in series	≤24V	A	70
	48V	A	60
	75V	A	60
	110V	A	8
	220V	A	—
IEC max current I <sub>e</sub> in DC1 with L/R ≤ 1ms with 2 poles in series	≤24V	A	100

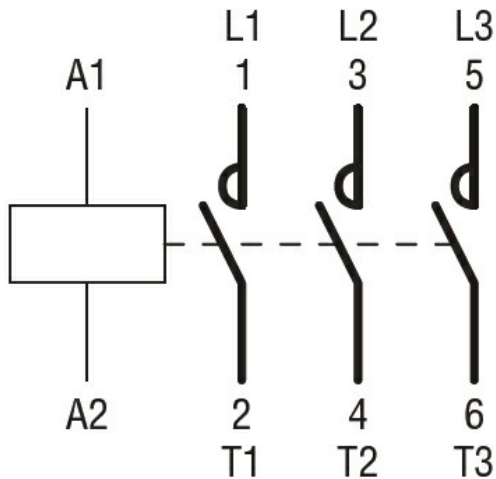
	48V	A	100
	75V	A	100
	110V	A	80
	220V	A	9
<hr/>			
IEC max current I <sub>e</sub> in DC1 with L/R ≤ 1ms with 3 poles in series	≤24V	A	100
	48V	A	100
	75V	A	100
	110V	A	85
	220V	A	95
<hr/>			
IEC max current I <sub>e</sub> in DC1 with L/R ≤ 1ms with 4 poles in series	≤24V	A	100
	48V	A	100
	75V	A	100
	110V	A	100
	220V	A	115
<hr/>			
IEC max current I <sub>e</sub> in DC3-DC5 with L/R ≤ 15ms with 1 poles in series	≤24V	A	40
	48V	A	30
	75V	A	30
	110V	A	3
	220V	A	–
<hr/>			
IEC max current I <sub>e</sub> in DC3-DC5 with L/R ≤ 15ms with 2 poles in series	≤24V	A	60
	48V	A	50
	75V	A	50
	110V	A	40
	220V	A	5
<hr/>			
IEC max current I <sub>e</sub> in DC3-DC5 with L/R ≤ 15ms with 3 poles in series	≤24V	A	80
	48V	A	70
	75V	A	70
	110V	A	60
	220V	A	64
<hr/>			
IEC max current I <sub>e</sub> in DC3-DC5 with L/R ≤ 15ms with 4 poles in series	≤24V	A	90
	48V	A	90
	75V	A	90
	110V	A	75
	220V	A	80
<hr/>			
Short-time allowable current for 10s (IEC/EN60947-1)		A	640
<hr/>			
Protection fuse			
	gG (IEC)	A	125
	aM (IEC)	A	80
<hr/>			
Making capacity (RMS value)		A	800
<hr/>			
Breaking capacity at voltage			
	440V	A	640
	500V	A	625
	690V	A	456
<hr/>			
Resistance per pole (average value)		mΩ	0.6
<hr/>			
Power dissipation per pole (average value)			
	I <sub>th</sub>	W	7.9
	AC-3	W	3.8
<hr/>			
Tightening torque for terminals			

	min	Nm	4
	max	Nm	5
	min	Ibin	2.95
	max	Ibin	3.69
<b>Tightening torque for coil terminal</b>			
	min	Nm	0.8
	max	Nm	1
	min	Ibin	0.8
	max	Ibin	0.74
<b>Max number of wires simultaneously connectable</b>			Nr. 2
<b>Conductor section</b>			
AWG/Kcmil			
	max		2
<b>Flexible w/o lug conductor section</b>			
	min	mm <sup>2</sup>	1.5
	max	mm <sup>2</sup>	35
<b>Flexible c/w lug conductor section</b>			
	min	mm <sup>2</sup>	1.5
	max	mm <sup>2</sup>	35
<b>Power terminal protection according to IEC/EN 60529</b>			IP20 front
<b>Mechanical features</b>			
<b>Operating position</b>			
	normal allowable		Vertical plan ±30°
<b>Fixing</b>			Screw / DIN rail 35mm
<b>Weight</b>			g 1020
<b>Conductor section</b>			
AWG/kcmil conductor section			
	max		2
<b>Operations</b>			
<b>Mechanical life</b>			cycles 15000000
<b>Electrical life</b>			cycles 1300000
<b>Safety related data</b>			
<b>Performance level B10d according to EN/ISO 13489-1</b>			
	rated load	cycles	1300000
	mechanical load	cycles	15000000
<b>Mirror contacts according to IEC/EN 60947-4-1</b>			yes
<b>EMC compatibility</b>			yes
<b>AC coil operating</b>			
<b>Rated AC voltage at 60Hz</b>			V 220
<b>AC operating voltage</b>			
of 60Hz coil powered at 60Hz			
pick-up			
	min	%Us	80
	max	%Us	110
drop-out			
	min	%Us	20
	max	%Us	55
<b>AC average coil consumption at 20°C</b>			
of 60Hz coil powered at 60Hz			
	in-rush	VA	210
	holding	VA	15

Dissipation at holding ≤20°C 50Hz		W	5
<b>Max cycles frequency</b>			
Mechanical operation		cycles/h	3600
<b>Operating times</b>			
Average time for Us control			
in AC			
	Closing NO	min	ms 12
		max	ms 28
	Opening NO	min	ms 8
		max	ms 22
in DC			
	Closing NO	min	ms 40
		max	ms 85
	Opening NO	min	ms 20
		max	ms 55
<b>UL technical data</b>			
Full-load current (FLA) for three-phase AC motor			
		at 480V	A 77
		at 600V	A 77
Yielded mechanical performance			
for three-phase AC motor			
		200/208V	HP 25
		220/230V	HP 30
		460/480V	HP 60
		575/600V	HP 75
General USE			
Contactor			
		AC current	A 115
Short-circuit protection fuse, 600V			
High fault			
		Short circuit current	kA 100
		Fuse rating	A 200
		Fuse class	J
Standard fault			
		Short circuit current	kA 10
		Fuse rating	A 200
		Fuse class	RK5
<b>Ambient conditions</b>			
Temperature			
Operating temperature			
		min	°C -50
		max	°C 70
Storage temperature			
		min	°C -60
		max	°C 80
Max altitude		m	3000
<b>Resistance &amp; Protection</b>			
Pollution degree			3
<b>Dimensions</b>			



### Wiring diagrams



### Certifications and compliance

#### Compliance

CSA C22.2 n° 60947-1  
 CSA C22.2 n° 60947-4-1  
 IEC/EN/BS 60947-1  
 IEC/EN/BS 60947-4-1  
 UL 60947-1  
 UL 60947-4-1

#### Certificates

CCC

---

cULus

ETIM classification

ETIM 8.0

EC000066 -  
Power contactor,  
AC switching