



Product designation
Product type designation

Power contactor
BF65

Contact characteristics

Number of poles	Nr.	3
Rated insulation voltage U _i IEC/EN	V	1000
Rated impulse withstand voltage U _{imp}	kV	8
Operational frequency	min	Hz 25
	max	Hz 400
IEC Conventional free air thermal current I _{th}	A	100
Operational current I _e	AC-1 (≤40°C)	A 100
	AC-1 (≤55°C)	A 80
	AC-1 (≤70°C)	A 70
	AC-3 (≤440V ≤55°C)	A 65
	AC-4 (400V)	A 31
Rated operational power AC-3 (T≤55°C)	230V	kW 18.5
	400V	kW 30
	415V	kW 37
	440V	kW 37
	500V	kW 37
	690V	kW 45
	1000V	kW 30
Rated operational current AC-3 (T≤55°C)	230V	A 65
	400V	A 65
	415V	A 65
	440V	A 65
	500V	A 53
	690V	A 47
	1000V	A 25
Rated operational power AC-1 (T≤40°C)	230V	kW 38
	400V	kW 65
	500V	kW 82
	690V	kW 114
IEC max current I _e in DC1 with L/R ≤ 1ms with 1 poles in series	≤24V	A 50
	48V	A 50
	75V	A 50
	110V	A 8
	220V	A –
IEC max current I _e in DC1 with L/R ≤ 1ms with 2 poles in series	≤24V	A 70

	48V	A	70
	75V	A	70
	110V	A	60
	220V	A	9
<hr/>			
IEC max current I _e in DC1 with L/R ≤ 1ms with 3 poles in series	≤24V	A	70
	48V	A	70
	75V	A	70
	110V	A	60
	220V	A	90
<hr/>			
IEC max current I _e in DC1 with L/R ≤ 1ms with 4 poles in series	≤24V	A	70
	48V	A	70
	75V	A	70
	110V	A	70
	220V	A	110
<hr/>			
IEC max current I _e in DC3-DC5 with L/R ≤ 15ms with 1 poles in series	≤24V	A	35
	48V	A	25
	75V	A	25
	110V	A	3
	220V	A	–
<hr/>			
IEC max current I _e in DC3-DC5 with L/R ≤ 15ms with 2 poles in series	≤24V	A	45
	48V	A	40
	75V	A	40
	110V	A	30
	220V	A	5
<hr/>			
IEC max current I _e in DC3-DC5 with L/R ≤ 15ms with 3 poles in series	≤24V	A	55
	48V	A	50
	75V	A	50
	110V	A	35
	220V	A	52
<hr/>			
IEC max current I _e in DC3-DC5 with L/R ≤ 15ms with 4 poles in series	≤24V	A	60
	48V	A	60
	75V	A	60
	110V	A	50
	220V	A	65
<hr/>			
Short-time allowable current for 10s (IEC/EN60947-1)		A	640
<hr/>			
Protection fuse	gG (IEC)	A	125
	aM (IEC)	A	80
<hr/>			
Making capacity (RMS value)		A	650
<hr/>			
Breaking capacity at voltage	440V	A	520
	500V	A	425
	690V	A	376
<hr/>			
Resistance per pole (average value)		mΩ	0.8
<hr/>			
Power dissipation per pole (average value)	I _{th}	W	8
	AC-3	W	3.4
<hr/>			
Tightening torque for terminals			

	min	Nm	4
	max	Nm	5
	min	I _{bin}	2.95
	max	I _{bin}	3.69
Tightening torque for coil terminal			
	min	Nm	0.8
	max	Nm	1
	min	I _{bin}	0.8
	max	I _{bin}	0.74
Max number of wires simultaneously connectable			Nr. 2
Conductor section			
AWG/Kcmil			
	max		2
Flexible w/o lug conductor section			
	min	mm ²	1.5
	max	mm ²	35
Flexible c/w lug conductor section			
	min	mm ²	1.5
	max	mm ²	35
Power terminal protection according to IEC/EN 60529			IP20 front
Mechanical features			
Operating position			
	normal allowable		Vertical plan ±30°
Fixing			Screw / DIN rail 35mm
Weight			g 1060
Conductor section			
AWG/kcmil conductor section			
	max		2
Operations			
Mechanical life		cycles	15000000
Electrical life		cycles	1400000
Safety related data			
Performance level B10d according to EN/ISO 13489-1			
	rated load	cycles	1400000
	mechanical load	cycles	15000000
Mirror contacts according to IEC/EN 60947-4-1			yes
EMC compatibility			yes
AC coil operating			
Rated AC voltage at 50/60Hz, 60Hz			
	min	V	100
	max	V	250
AC operating voltage			
of 50/60Hz coil powered at 50Hz			
pick-up			
	min	%Us	80 Us min
	max	%Us	110 Us max
drop-out			
	max	%Us	≤70 Us min
of 50/60Hz coil powered at 60Hz			
pick-up			
	min	%Us	80 Us min

		max	%Us	110 Us max
drop-out		max	%Us	≤70 Us min
AC average coil consumption at 20°C				
	of 50/60Hz coil powered at 50Hz	in-rush	VA	35...120
		holding	VA	1.5...3.7
of 50/60Hz coil powered at 60Hz				
		in-rush	VA	35...120
		holding	VA	1.5...3.7
Dissipation at holding ≤20°C 50Hz			W	1...2.5
DC coil operating				
DC rated control voltage				
		min	V	100
		max	V	250
DC operating voltage				
	pick-up	min	%Us	80 Us min
		max	%Us	110 Us max
	drop-out	max	%Us	≤70 Us min
Average coil consumption ≤20°C				
		in-rush	W	23...68
		holding	W	1.2...1,9
Max cycles frequency				
Mechanical operation			cycles/h	1500
Operating times				
Average time for Us control				
	in AC			
		Closing NO	min	ms
			max	ms
		Opening NO	min	ms
			max	ms
	in DC			
		Closing NO	min	ms
			max	ms
		Opening NO	min	ms
			max	ms
UL technical data				
Full-load current (FLA) for three-phase AC motor				
		at 480V	A	65
		at 600V	A	62
Yielded mechanical performance				
	for three-phase AC motor	200/208V	HP	20
		220/230V	HP	25
		460/480V	HP	50
		575/600V	HP	60

General USE

Contactor

	AC current	A	100
Short-circuit protection fuse, 600V High fault	Short circuit current	kA	100
	Fuse rating	A	200
	Fuse class		J
Standard fault	Short circuit current	kA	10
	Fuse rating	A	200
	Fuse class		RK5

Ambient conditions

Temperature	Operating temperature		
	min	°C	-40
	max	°C	70

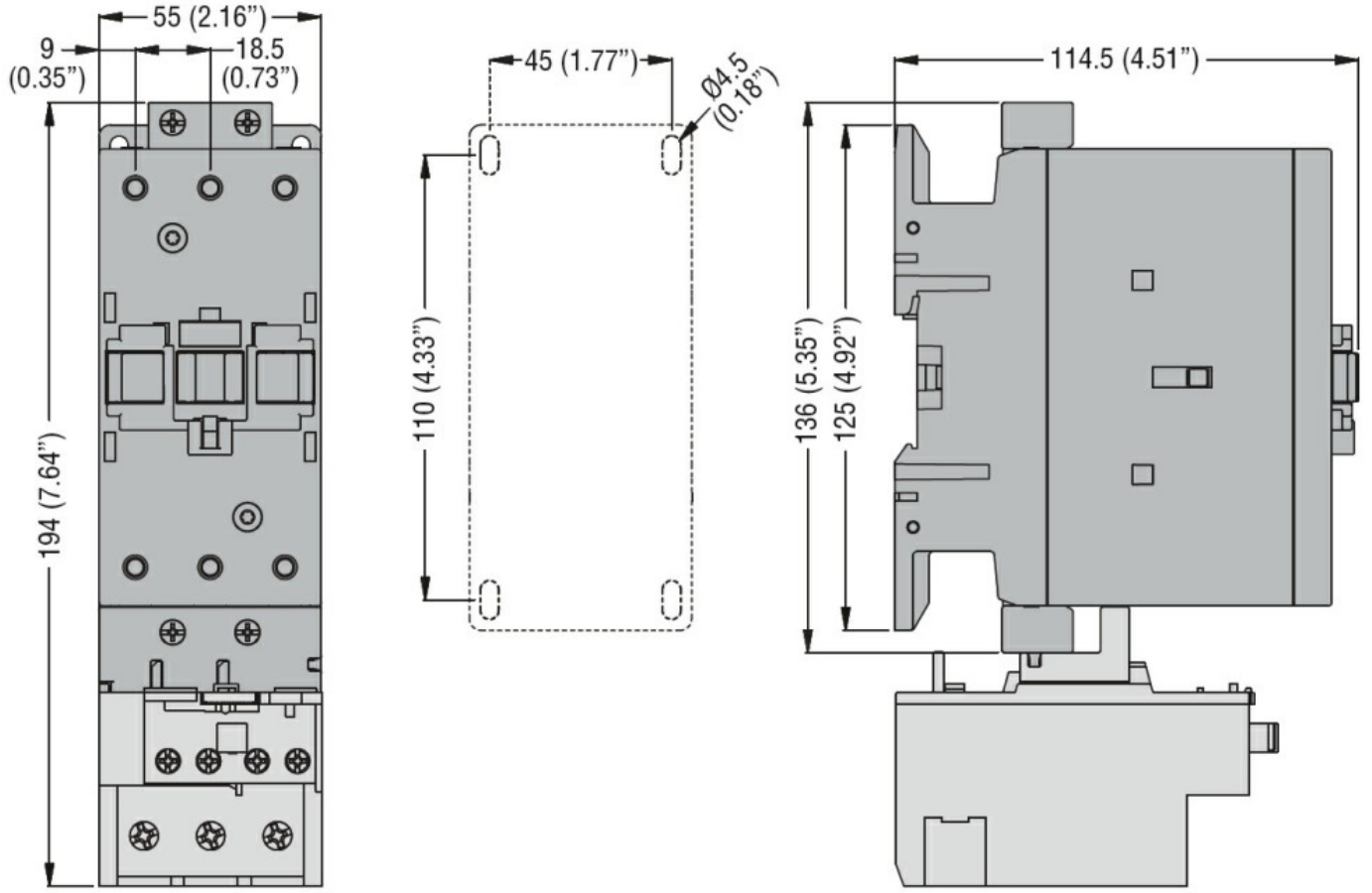
Storage temperature	min	°C	-50
	max	°C	80

Max altitude	m	3000
--------------	---	------

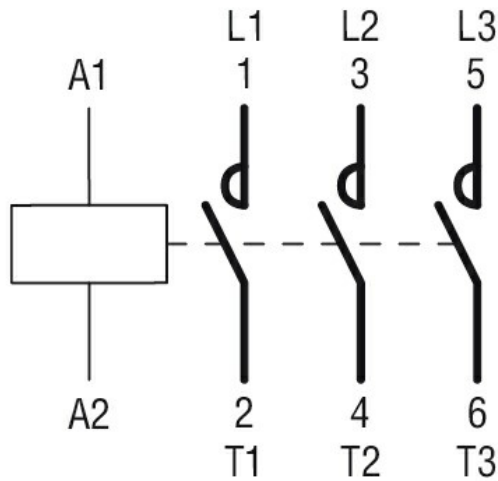
Resistance & Protection

Pollution degree	3
------------------	---

Dimensions



Wiring diagrams



Certifications and compliance

Compliance

CSA C22.2 n° 60947-1

CSA C22.2 n° 60947-4-1

IEC/EN/BS 60947-1

IEC/EN/BS 60947-4-1

UL 60947-1

UL 60947-4-1

Certificates

CCC

cULus

ETIM classification

ETIM 8.0

EC000066 -
Power contactor,
AC switching