



Product designation				Power contactor
Product type designation				BF38
<b>Contact characteristics</b>				
Number of poles	Nr.			4
Rated insulation voltage U <sub>i</sub> IEC/EN	V			690
Rated impulse withstand voltage U <sub>imp</sub>	kV			6
Operational frequency	min	Hz	25	
	max	Hz	400	
IEC Conventional free air thermal current I <sub>th</sub>	A			56
Operational current I <sub>e</sub>	AC-1 (≤40°C)	A	56	
	AC-1 (≤40°C) with 16mm <sup>2</sup> wire and fork end lug	A	60	
	AC-1 (≤55°C)	A	45	
	AC-1 (≤55°C) with 16mm <sup>2</sup> wire and fork end lug	A	48	
	AC-1 (≤70°C)	A	40	
	AC-1 (≤70°C) with 16mm <sup>2</sup> wire and fork end lug	A	42	
	AC-3 (≤440V ≤55°C)	A	38	
Rated operational power AC-1 (T≤40°C)	AC-4 (400V)	A	15.5	
	230V	kW	21	
	400V	kW	36	
	500V	kW	45	
	690V	kW	62	
IEC max current I <sub>e</sub> in DC1 with L/R ≤ 1ms with 1 poles in series	≤24V	A	35	
	48V	A	30	
	75V	A	23	
	110V	A	8	
	220V	A	–	
	IEC max current I <sub>e</sub> in DC1 with L/R ≤ 1ms with 2 poles in series	≤24V	A	36
48V		A	34	
75V		A	29	
110V		A	32	
220V		A	4	
IEC max current I <sub>e</sub> in DC1 with L/R ≤ 1ms with 3 poles in series		≤24V	A	36
	48V	A	34	
	75V	A	33	
	110V	A	34	
	220V	A	30	
	IEC max current I <sub>e</sub> in DC1 with L/R ≤ 1ms with 4 poles in series	≤24V	A	36
48V		A	34	

	75V	A	33
	110V	A	34
	220V	A	38
<hr/>			
IEC max current I <sub>e</sub> in DC3-DC5 with L/R ≤ 15ms with 1 poles in series	≤24V	A	24
	48V	A	20
	75V	A	17
	110V	A	2,5
	220V	A	–
<hr/>			
IEC max current I <sub>e</sub> in DC3-DC5 with L/R ≤ 15ms with 2 poles in series	≤24V	A	28
	48V	A	25
	75V	A	22
	110V	A	18
	220V	A	3
<hr/>			
IEC max current I <sub>e</sub> in DC3-DC5 with L/R ≤ 15ms with 3 poles in series	≤24V	A	32
	48V	A	28
	75V	A	28
	110V	A	23
	220V	A	25
<hr/>			
IEC max current I <sub>e</sub> in DC3-DC5 with L/R ≤ 15ms with 4 poles in series	≤24V	A	32
	48V	A	28
	75V	A	28
	110V	A	23
	220V	A	15
<hr/>			
Short-time allowable current for 10s (IEC/EN60947-1)		A	320
<hr/>			
Protection fuse	gG (IEC)	A	63
	aM (IEC)	A	40
<hr/>			
Making capacity (RMS value)		A	380
<hr/>			
Breaking capacity at voltage	440V	A	304
	500V	A	240
	690V	A	192
<hr/>			
Resistance per pole (average value)		mΩ	2
<hr/>			
Power dissipation per pole (average value)	I <sub>th</sub>	W	6
	AC-3	W	2.9
<hr/>			
Tightening torque for terminals	min	Nm	2.5
	max	Nm	3
	min	lbin	1.8
	max	lbin	2.2
<hr/>			
Tightening torque for coil terminal	min	Nm	0.8
	max	Nm	1
	min	lbin	0.8
	max	lbin	0.74
<hr/>			
Max number of wires simultaneously connectable		Nr.	2
<hr/>			
Conductor section	AWG/Kcmil		

	max		6
Flexible w/o lug conductor section	min	mm <sup>2</sup>	2.5
	max	mm <sup>2</sup>	16
Flexible c/w lug conductor section	min	mm <sup>2</sup>	1
	max	mm <sup>2</sup>	10
Flexible with insulated spade lug conductor section	min	mm <sup>2</sup>	1
	max	mm <sup>2</sup>	10
Power terminal protection according to IEC/EN 60529			IP20 when properly wired

**Mechanical features**

Operating position	normal allowable		Vertical plan ±30°
Fixing			Screw / DIN rail 35mm
Weight		g	670
Conductor section			
	AWG/kcmil conductor section	max	6

**Operations**

Mechanical life		cycles	20000000
Electrical life		cycles	1400000

**Safety related data**

Performance level B10d according to EN/ISO 13489-1	rated load mechanical load	cycles	1400000
		cycles	20000000
Mirror contacts according to IEC/EN 60947-4-1			yes
EMC compatibility			yes

**DC coil operating**

DC rated control voltage		V	125
DC operating voltage			
	pick-up	min	%Us 80
		max	%Us 125
	drop-out	min	%Us 10
		max	%Us 40

Average coil consumption ≤20°C

in-rush	W	5.4
holding	W	5.4

**Max cycles frequency**

Mechanical operation	cycles/h	3600
----------------------	----------	------

**Operating times**

Average time for Us control in AC	Closing NO	min	ms	8
		max	ms	24
	Opening NO	min	ms	5
		max	ms	15

in DC	Closing NC	min	ms	9
		max	ms	20
	Opening NC	min	ms	9
		max	ms	17
	Closing NO	min	ms	54
		max	ms	66
Opening NO	min	ms	14	
	max	ms	17	

**UL technical data**

Full-load current (FLA) for three-phase AC motor

at 480V	A	40
at 600V	A	32

Yielded mechanical performance

for single-phase AC motor

110/120V	HP	3
230V	HP	7.5

for three-phase AC motor

200/208V	HP	10
220/230V	HP	15
460/480V	HP	30
575/600V	HP	30

General USE

Contactor

AC current	A	55
------------	---	----

Short-circuit protection fuse, 600V

High fault

Short circuit current	kA	100
Fuse rating	A	100
Fuse class		J

Standard fault

Short circuit current	kA	5
Fuse rating	A	150

**Ambient conditions**

Temperature

Operating temperature

min	°C	-50
max	°C	70

Storage temperature

min	°C	-60
max	°C	80

Max altitude

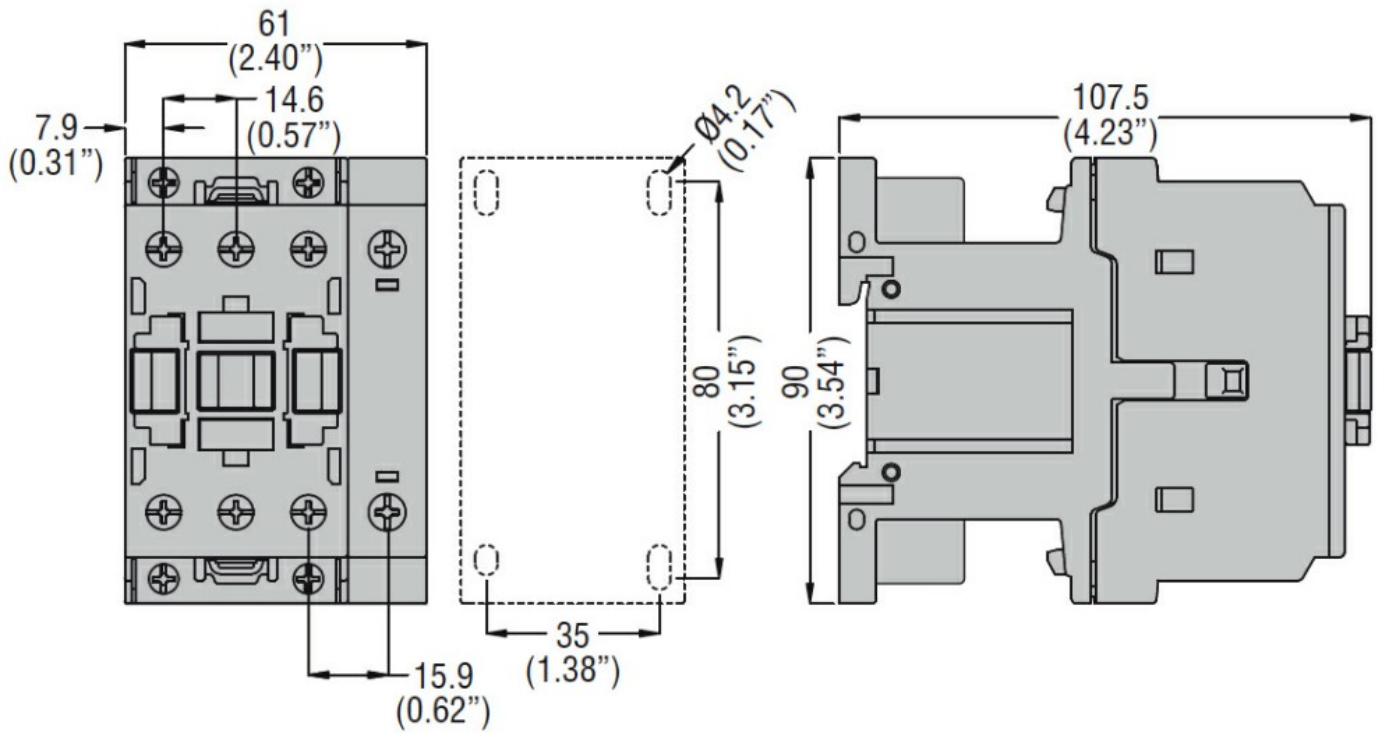
m	3000
---	------

**Resistance & Protection**

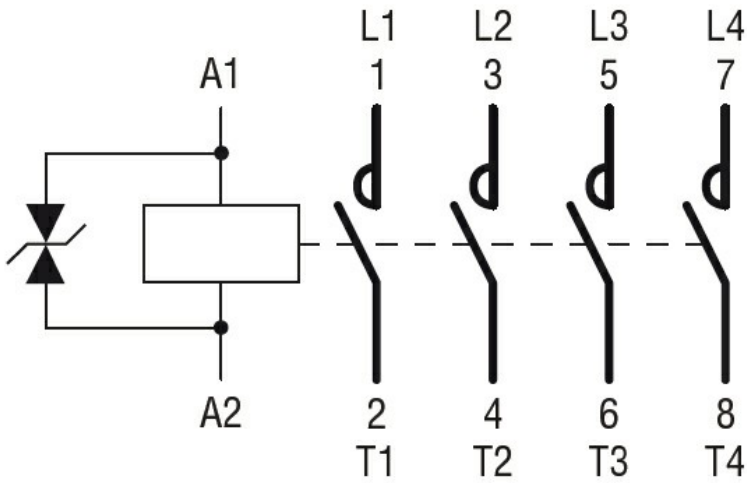
Pollution degree

3

**Dimensions**



**Wiring diagrams**



**Certifications and compliance**

**Compliance**

- CSA C22.2 n° 60947-1
- CSA C22.2 n° 60947-4-1
- IEC/EN/BS 60947-1
- IEC/EN/BS 60947-4-1
- UL 60947-1
- UL 60947-4-1

**Certificates**

- CCC
- cULus
- EAC

**ETIM classification**

ETIM 8.0

EC000066 -  
Power contactor,  
AC switching