



Product designation
Product type designation

Power contactor
BF32

Contact characteristics

Number of poles	Nr.	3
Rated insulation voltage U _i IEC/EN	V	690
Rated impulse withstand voltage U _{imp}	kV	6
Operational frequency	min	Hz 25
	max	Hz 400
IEC Conventional free air thermal current I _{th}	A	56
Operational current I _e	AC-1 (≤40°C)	A 56
	AC-1 (≤55°C)	A 45
	AC-1 (≤70°C)	A 40
	AC-3 (≤440V ≤55°C)	A 32
	AC-4 (400V)	A 13.5
Rated operational power AC-3 (T≤55°C)	230V	kW 8.8
	400V	kW 16
	415V	kW 17
	440V	kW 17
	500V	kW 20
	690V	kW 22
Rated operational power AC-1 (T≤40°C)	230V	kW 21
	400V	kW 36
	500V	kW 45
	690V	kW 62
IEC max current I _e in DC1 with L/R ≤ 1ms with 1 poles in series	≤24V	A 30
	48V	A 26
	75V	A 22
	110V	A 8
	220V	A –
IEC max current I _e in DC1 with L/R ≤ 1ms with 2 poles in series	≤24V	A 32
	48V	A 32
	75V	A 28
	110V	A 25
	220V	A 3
IEC max current I _e in DC1 with L/R ≤ 1ms with 3 poles in series	≤24V	A 32
	48V	A 32
	75V	A 32
	110V	A 27

	220V	A	23
IEC max current I _e in DC1 with L/R ≤ 1ms with 4 poles in series	≤24V	A	–
	48V	A	–
	75V	A	–
	110V	A	–
	220V	A	–
IEC max current I _e in DC3-DC5 with L/R ≤ 15ms with 1 poles in series	≤24V	A	20
	48V	A	17
	75V	A	15
	110V	A	2,5
	220V	A	–
IEC max current I _e in DC3-DC5 with L/R ≤ 15ms with 2 poles in series	≤24V	A	25
	48V	A	22
	75V	A	20
	110V	A	15
	220V	A	3
IEC max current I _e in DC3-DC5 with L/R ≤ 15ms with 3 poles in series	≤24V	A	30
	48V	A	28
	75V	A	28
	110V	A	20
	220V	A	23
IEC max current I _e in DC3-DC5 with L/R ≤ 15ms with 4 poles in series	≤24V	A	–
	48V	A	–
	75V	A	–
	110V	A	–
	220V	A	–
Short-time allowable current for 10s (IEC/EN60947-1)		A	320
Protection fuse	gG (IEC)	A	63
	aM (IEC)	A	32
Making capacity (RMS value)		A	320
Breaking capacity at voltage	440V	A	256
	500V	A	240
	690V	A	192
Resistance per pole (average value)		mΩ	2
Power dissipation per pole (average value)	I _{th}	W	6
	AC-3	W	2
Tightening torque for terminals	min	Nm	2.5
	max	Nm	3
	min	I _{bin}	1.8
	max	I _{bin}	2.2
Tightening torque for coil terminal	min	Nm	0.8
	max	Nm	1
	min	I _{bin}	0.8

	max	Ibin	0.74
Max number of wires simultaneously connectable		Nr.	2
Conductor section			
AWG/Kcmil	max		6
Flexible w/o lug conductor section	min	mm ²	2.5
	max	mm ²	16
Flexible c/w lug conductor section	min	mm ²	1
	max	mm ²	10
Flexible with insulated spade lug conductor section	min	mm ²	1
	max	mm ²	10
Power terminal protection according to IEC/EN 60529			IP20 when properly wired
Mechanical features			
Operating position	normal allowable		Vertical plan ±30°
Fixing			Screw / DIN rail 35mm
Weight		g	424
Conductor section			
AWG/kcmil conductor section	max		6
Operations			
Mechanical life		cycles	20000000
Electrical life		cycles	1600000
Safety related data			
Performance level B10d according to EN/ISO 13489-1	rated load mechanical load	cycles	1600000
		cycles	20000000
Mirror contacts according to IEC/EN 60947-4-1			yes
EMC compatibility			yes
AC coil operating			
Rated AC voltage at 50/60Hz		V	230
AC operating voltage			
of 50/60Hz coil powered at 50Hz			
pick-up	min	%Us	80
	max	%Us	110
drop-out	min	%Us	20
	max	%Us	55
of 50/60Hz coil powered at 60Hz			
pick-up	min	%Us	85
	max	%Us	110
drop-out	min	%Us	20
	max	%Us	55
AC average coil consumption at 20°C			
of 50/60Hz coil powered at 50Hz			

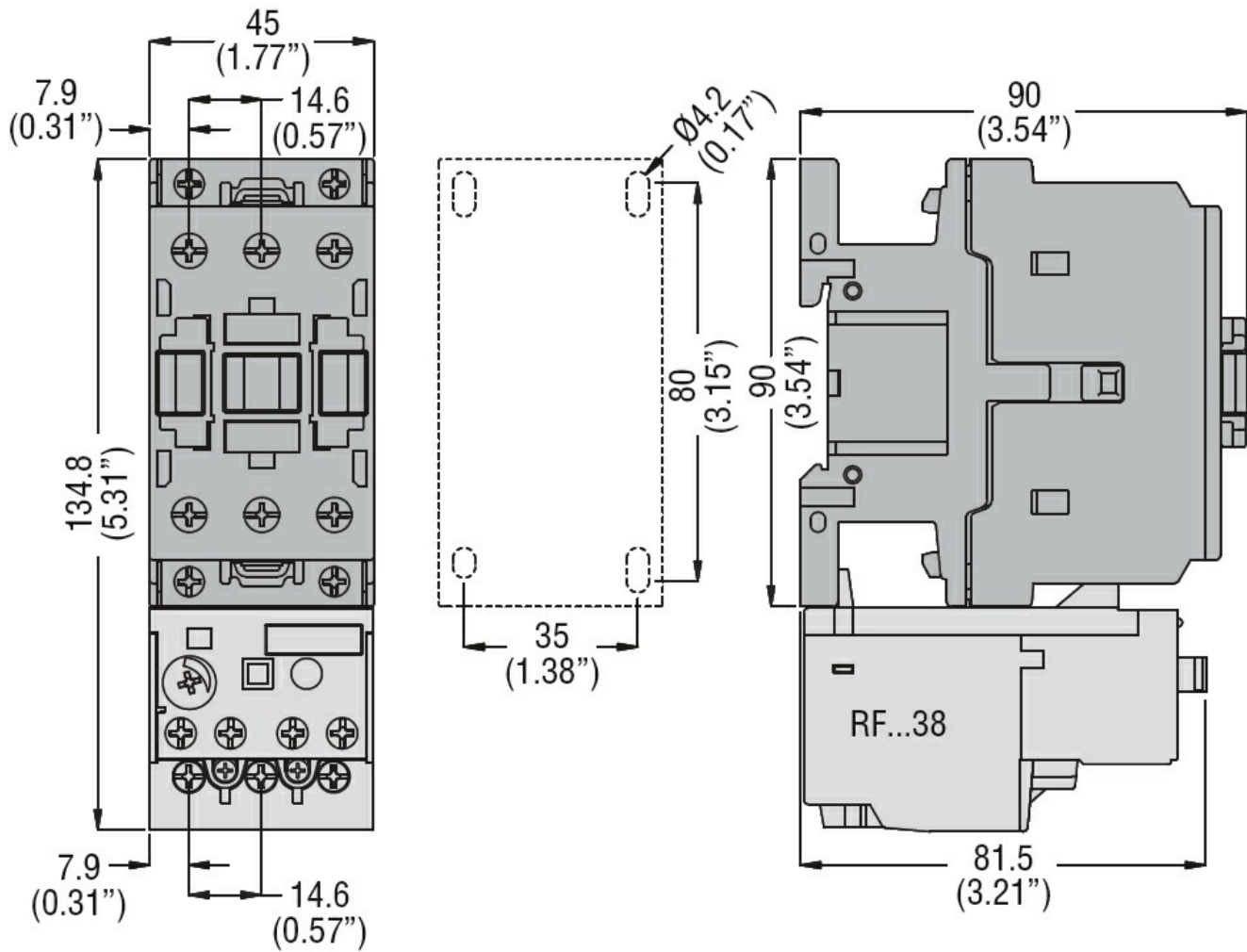
	in-rush	VA	75	
	holding	VA	9	
of 50/60Hz coil powered at 60Hz				
	in-rush	VA	70	
	holding	VA	6.5	
of 60Hz coil powered at 60Hz				
	in-rush	VA	75	
	holding	VA	9	
Dissipation at holding $\leq 20^{\circ}\text{C}$ 50Hz			W	2.5
Max cycles frequency				
Mechanical operation			cycles/h	3600
Operating times				
Average time for Us control				
in AC				
Closing NO				
	min	ms	8	
	max	ms	24	
Opening NO				
	min	ms	5	
	max	ms	15	
Closing NC				
	min	ms	9	
	max	ms	20	
Opening NC				
	min	ms	9	
	max	ms	17	
UL technical data				
Full-load current (FLA) for three-phase AC motor				
	at 480V	A	27	
	at 600V	A	27	
Yielded mechanical performance				
for single-phase AC motor				
	110/120V	HP	3	
	230V	HP	7.5	
for three-phase AC motor				
	200/208V	HP	10	
	220/230V	HP	10	
	460/480V	HP	20	
	575/600V	HP	25	
General USE				
Contactor				
	AC current	A	55	
Short-circuit protection fuse, 600V				
High fault				
	Short circuit current	kA	100	
	Fuse rating	A	100	
	Fuse class		J	
Standard fault				
	Short circuit current	kA	5	
	Fuse rating	A	125	
Ambient conditions				
Temperature				
Operating temperature				
	min	$^{\circ}\text{C}$	-50	

Storage temperature	max	°C	70
	min	°C	-60
Max altitude	max	°C	80
		m	3000

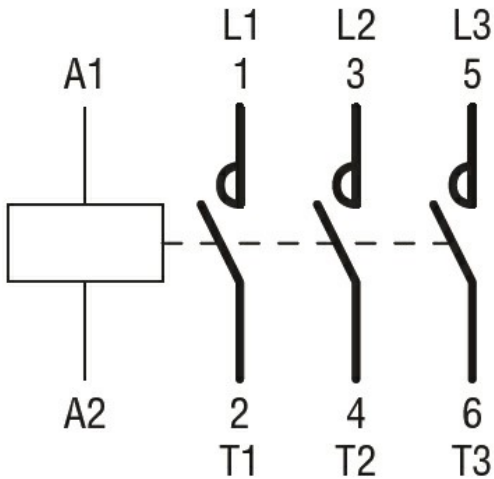
Resistance & Protection

Pollution degree	3
------------------	---

Dimensions



Wiring diagrams



Certifications and compliance

Compliance

CSA C22.2 n° 60947-1

CSA C22.2 n° 60947-4-1

IEC/EN/BS 60947-1

IEC/EN/BS 60947-4-1

UL 60947-1

UL 60947-4-1

Certificates

CCC

cULus

EAC

ETIM classification

ETIM 8.0

EC000066 -
 Power contactor,
 AC switching