



| | | | |
|---|--------------------|------|------|
| Product designation | Power contactor | | |
| Product type designation | BF26 | | |
| Contact characteristics | | | |
| Number of poles | Nr. | 4 | |
| Rated insulation voltage U _i IEC/EN | V | 690 | |
| Rated impulse withstand voltage U _{imp} | kV | 6 | |
| Operational frequency | min | Hz | 25 |
| | max | Hz | 400 |
| IEC Conventional free air thermal current I _{th} | A | 45 | |
| Operational current I _e | AC-1 (≤40°C) | A | 45 |
| | AC-1 (≤55°C) | A | 36 |
| | AC-1 (≤70°C) | A | 32 |
| | AC-3 (≤440V ≤55°C) | A | 26 |
| | AC-4 (400V) | A | 11.5 |
| Rated operational power AC-1 (T≤40°C) | 230V | kW | 17 |
| | 400V | kW | 30 |
| | 500V | kW | 37 |
| | 690V | kW | 51 |
| Short-time allowable current for 10s (IEC/EN60947-1) | A | 210 | |
| Protection fuse | gG (IEC) | A | 50 |
| | aM (IEC) | A | 32 |
| Making capacity (RMS value) | A | 260 | |
| Breaking capacity at voltage | 440V | A | 208 |
| | 500V | A | 184 |
| | 690V | A | 168 |
| Resistance per pole (average value) | mΩ | 2 | |
| Power dissipation per pole (average value) | I _{th} | W | 4 |
| | AC-3 | W | 1.4 |
| Tightening torque for terminals | min | Nm | 2.5 |
| | max | Nm | 3 |
| | min | lbin | 1.8 |
| | max | lbin | 2.2 |
| Tightening torque for coil terminal | min | Nm | 0.8 |
| | max | Nm | 1 |
| | min | lbin | 0.8 |
| | max | lbin | 0.74 |
| Max number of wires simultaneously connectable | Nr. | 2 | |

| | | | |
|---|--|------------------|--------------------------|
| Conductor section | | | |
| AWG/Kcmil | | max | 6 |
| Flexible w/o lug conductor section | | | |
| | | min | mm ² 2.5 |
| | | max | mm ² 16 |
| Flexible c/w lug conductor section | | | |
| | | min | mm ² 1 |
| | | max | mm ² 10 |
| Flexible with insulated spade lug conductor section | | | |
| | | min | mm ² 1 |
| | | max | mm ² 10 |
| Power terminal protection according to IEC/EN 60529 | | | IP20 when properly wired |
| Mechanical features | | | |
| Operating position | | | |
| | | normal allowable | Vertical plan ±30° |
| Fixing | | | Screw / DIN rail 35mm |
| Weight | | | g 660 |
| Conductor section | | | |
| AWG/kcmil conductor section | | max | 6 |
| Operations | | | |
| Mechanical life | | cycles | 20000000 |
| Electrical life | | cycles | 1600000 |
| Safety related data | | | |
| Performance level B10d according to EN/ISO 13489-1 | | | |
| | | rated load | cycles 1600000 |
| | | mechanical load | cycles 20000000 |
| Mirror contacts according to IEC/EN 60947-4-1 | | | YES |
| EMC compatibility | | | yes |
| DC coil operating | | | |
| DC rated control voltage | | V | 48 |
| DC operating voltage | | | |
| pick-up | | min | %Us 80 |
| | | max | %Us 125 |
| drop-out | | min | %Us 10 |
| | | max | %Us 40 |
| Average coil consumption ≤20°C | | | |
| | | in-rush | W 5.4 |
| | | holding | W 5.4 |
| Max cycles frequency | | | |
| Mechanical operation | | cycles/h | 3600 |
| Operating times | | | |
| Average time for Us control | | | |
| in AC | | Closing NO | |
| | | min | ms 8 |
| | | max | ms 24 |

| | | | |
|------------|-----|----|----|
| Opening NO | min | ms | 5 |
| | max | ms | 15 |
| Closing NC | min | ms | 9 |
| | max | ms | 20 |
| Opening NC | min | ms | 9 |
| | max | ms | 17 |
| <hr/> | | | |
| in DC | | | |
| Closing NC | min | ms | 23 |
| | max | ms | 28 |
| Opening NC | min | ms | 46 |
| | max | ms | 56 |

UL technical data

Full-load current (FLA) for three-phase AC motor

| | | |
|---------|---|----|
| at 480V | A | 21 |
| at 600V | A | 22 |

Yielded mechanical performance

for single-phase AC motor

| | | |
|----------|----|---|
| 110/120V | HP | 2 |
| 230V | HP | 5 |

for three-phase AC motor

| | | |
|----------|----|-----|
| 200/208V | HP | 7.5 |
| 220/230V | HP | 7.5 |
| 460/480V | HP | 15 |
| 575/600V | HP | 20 |

General USE

Contactor

| | | |
|------------|---|----|
| AC current | A | 45 |
|------------|---|----|

Ambient conditions

Temperature

Operating temperature

| | | |
|-----|----|-----|
| min | °C | -50 |
| max | °C | 70 |

Storage temperature

| | | |
|-----|----|-----|
| min | °C | -60 |
| max | °C | 80 |

Max altitude

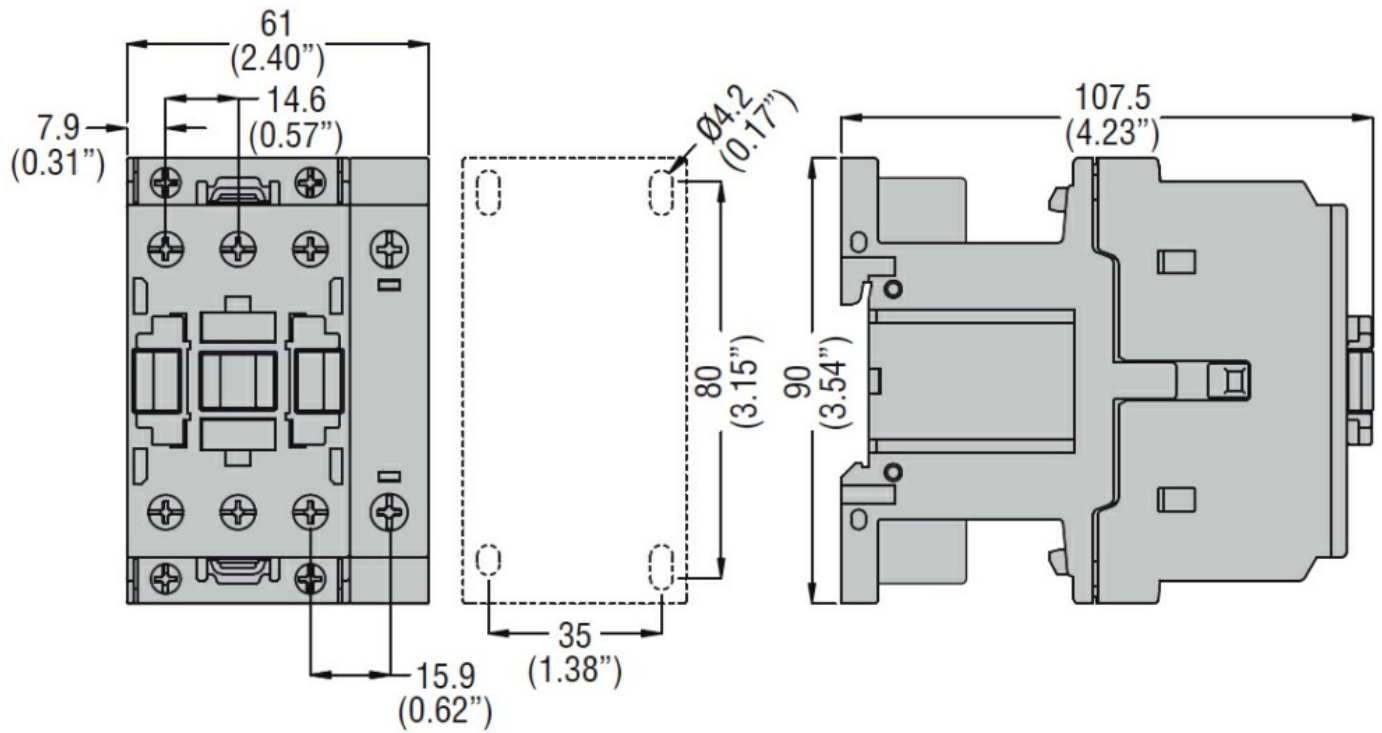
| | |
|---|------|
| m | 3000 |
|---|------|

Resistance & Protection

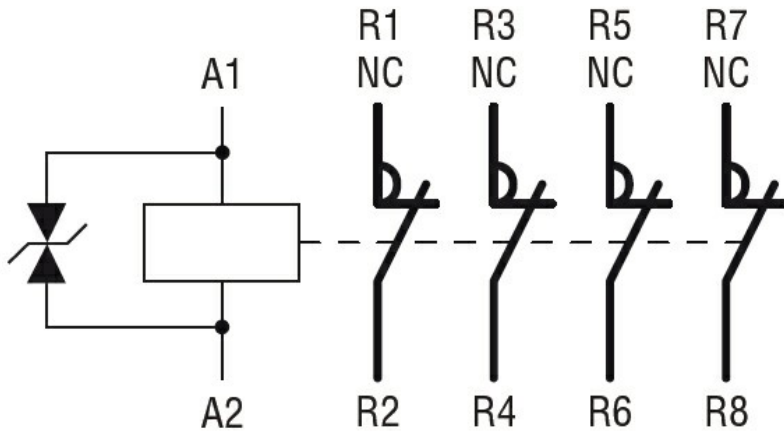
Pollution degree

3

Dimensions



Wiring diagrams



Certifications and compliance

Compliance

CSA C22.2 n° 60947-1

CSA C22.2 n° 60947-4-1

IEC/EN/BS 60947-1

IEC/EN/BS 60947-4-1

UL 60947-1

UL 60947-4-1

Certificates

CCC

cULus

EAC

ETIM classification

ETIM 8.0

EC000066 -
Power contactor,
AC switching