



Product designation  
Product type designation

Power contactor  
BF26

**Contact characteristics**

Number of poles	Nr.	3
Rated insulation voltage U <sub>i</sub> IEC/EN	V	690
Rated impulse withstand voltage U <sub>imp</sub>	kV	6
Operational frequency	min	Hz 25
	max	Hz 400
IEC Conventional free air thermal current I <sub>th</sub>	A	45
Operational current I <sub>e</sub>	AC-1 (≤40°C)	A 45
	AC-1 (≤55°C)	A 36
	AC-1 (≤70°C)	A 32
	AC-3 (≤440V ≤55°C)	A 26
	AC-4 (400V)	A 11.5
Rated operational power AC-3 (T≤55°C)	230V	kW 7.3
	400V	kW 13
	415V	kW 14
	440V	kW 14
	500V	kW 15.6
	690V	kW 18.5
Rated operational power AC-1 (T≤40°C)	230V	kW 17
	400V	kW 30
	500V	kW 37
	690V	kW 51
IEC max current I <sub>e</sub> in DC1 with L/R ≤ 1ms with 1 poles in series	≤24V	A 25
	48V	A 21
	75V	A 18
	110V	A 6
	220V	A –
IEC max current I <sub>e</sub> in DC1 with L/R ≤ 1ms with 2 poles in series	≤24V	A 28
	48V	A 28
	75V	A 25
	110V	A 22
	220V	A 2
IEC max current I <sub>e</sub> in DC1 with L/R ≤ 1ms with 3 poles in series	≤24V	A 28
	48V	A 28
	75V	A 25
	110V	A 24

	220V	A	20
IEC max current I <sub>e</sub> in DC1 with L/R ≤ 1ms with 4 poles in series	≤24V	A	28
	48V	A	28
	75V	A	25
	110V	A	24
	220V	A	26
IEC max current I <sub>e</sub> in DC3-DC5 with L/R ≤ 15ms with 1 poles in series	≤24V	A	18
	48V	A	15
	75V	A	13
	110V	A	2
	220V	A	–
IEC max current I <sub>e</sub> in DC3-DC5 with L/R ≤ 15ms with 2 poles in series	≤24V	A	20
	48V	A	20
	75V	A	18
	110V	A	13
	220V	A	3
IEC max current I <sub>e</sub> in DC3-DC5 with L/R ≤ 15ms with 3 poles in series	≤24V	A	25
	48V	A	25
	75V	A	20
	110V	A	18
	220V	A	19
IEC max current I <sub>e</sub> in DC3-DC5 with L/R ≤ 15ms with 4 poles in series	≤24V	A	30
	48V	A	30
	75V	A	25
	110V	A	20
	220V	A	15
Short-time allowable current for 10s (IEC/EN60947-1)		A	210
Protection fuse	gG (IEC)	A	50
	aM (IEC)	A	32
Making capacity (RMS value)		A	260
Breaking capacity at voltage	440V	A	208
	500V	A	184
	690V	A	168
Resistance per pole (average value)		mΩ	2
Power dissipation per pole (average value)	I <sub>th</sub>	W	4
	AC-3	W	1.4
Tightening torque for terminals	min	Nm	2.5
	max	Nm	3
	min	I <sub>bin</sub>	1.8
	max	I <sub>bin</sub>	2.2
Tightening torque for coil terminal	min	Nm	0.8
	max	Nm	1
	min	I <sub>bin</sub>	0.8

		max	Ibin	0.74
Max number of wires simultaneously connectable			Nr.	2
Conductor section	AWG/Kcmil	max		6
Flexible w/o lug conductor section		min	mm <sup>2</sup>	2.5
		max	mm <sup>2</sup>	16
Flexible c/w lug conductor section		min	mm <sup>2</sup>	1
		max	mm <sup>2</sup>	10
Flexible with insulated spade lug conductor section		min	mm <sup>2</sup>	1
		max	mm <sup>2</sup>	10
Power terminal protection according to IEC/EN 60529				IP20 when properly wired
<b>Mechanical features</b>				
Operating position		normal allowable		Vertical plan ±30°
Fixing				Screw / DIN rail 35mm
Weight			g	426
Conductor section	AWG/kcmil conductor section	max		6
<b>Operations</b>				
Mechanical life			cycles	20000000
Electrical life			cycles	1600000
<b>Safety related data</b>				
Performance level B10d according to EN/ISO 13489-1		rated load mechanical load	cycles	1600000
			cycles	20000000
Mirror contacts according to IEC/EN 60947-4-1				yes
EMC compatibility				yes
<b>AC coil operating</b>				
Rated AC voltage at 50/60Hz			V	110
AC operating voltage	of 50/60Hz coil powered at 50Hz			
	pick-up	min	%Us	80
		max	%Us	110
	drop-out	min	%Us	20
		max	%Us	55
	of 50/60Hz coil powered at 60Hz			
	pick-up	min	%Us	85
		max	%Us	110
	drop-out	min	%Us	20
		max	%Us	55
AC average coil consumption at 20°C	of 50/60Hz coil powered at 50Hz			

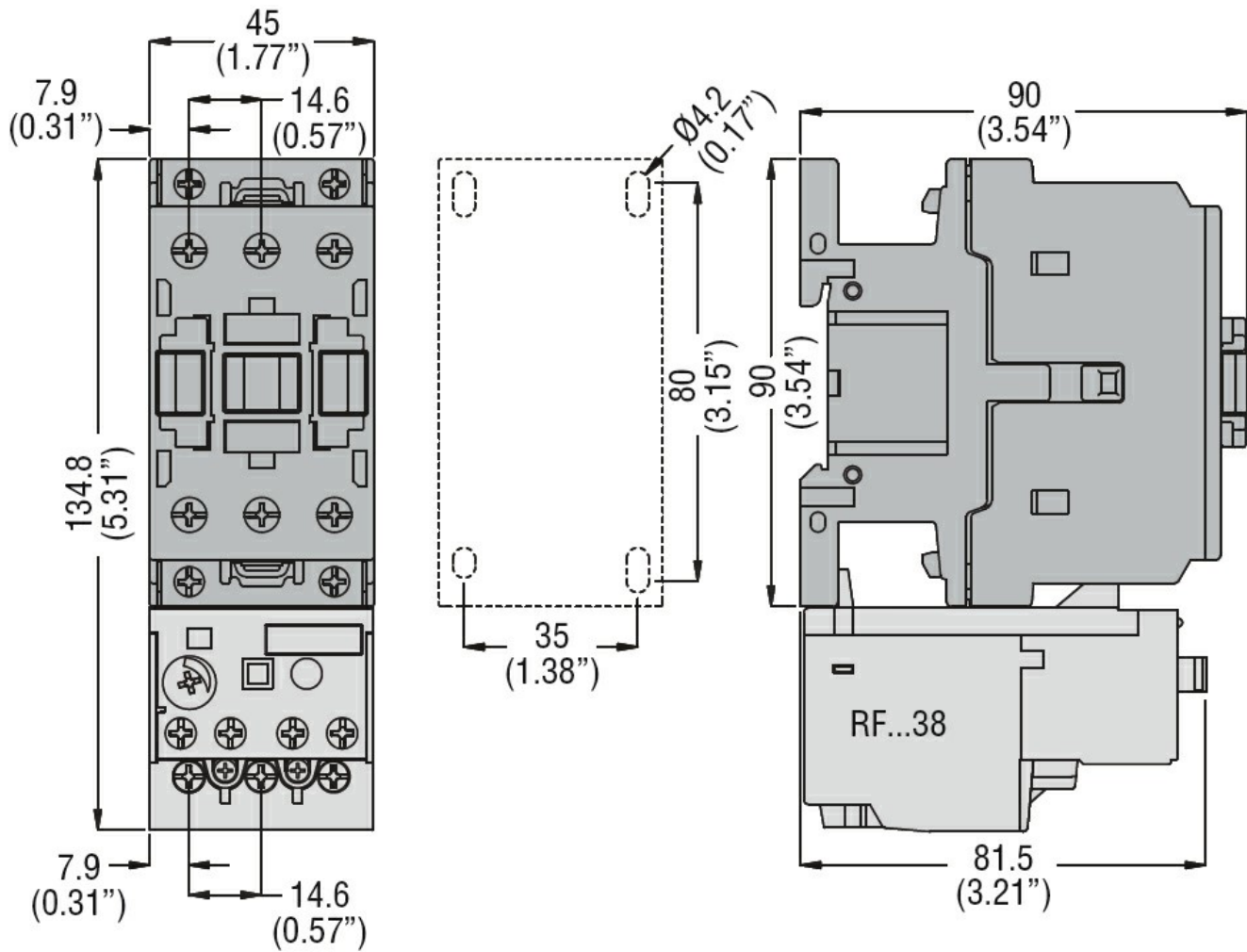
		in-rush	VA	75
		holding	VA	9
of 50/60Hz coil powered at 60Hz				
		in-rush	VA	70
		holding	VA	6.5
of 60Hz coil powered at 60Hz				
		in-rush	VA	75
		holding	VA	9
Dissipation at holding $\leq 20^{\circ}\text{C}$ 50Hz			W	2.5
<b>Max cycles frequency</b>				
Mechanical operation			cycles/h	3600
<b>Operating times</b>				
Average time for Us control				
in AC				
	Closing NO			
		min	ms	8
		max	ms	24
	Opening NO			
		min	ms	5
		max	ms	15
	Closing NC			
		min	ms	9
		max	ms	20
	Opening NC			
		min	ms	9
		max	ms	17
<b>UL technical data</b>				
Full-load current (FLA) for three-phase AC motor				
		at 480V	A	21
		at 600V	A	22
Yielded mechanical performance				
for single-phase AC motor				
		110/120V	HP	2
		230V	HP	5
for three-phase AC motor				
		200/208V	HP	7.5
		220/230V	HP	7.5
		460/480V	HP	15
		575/600V	HP	20
General USE				
Contactor				
		AC current	A	45
Short-circuit protection fuse, 600V				
High fault				
	Short circuit current	kA		100
	Fuse rating	A		100
	Fuse class			J
Standard fault				
	Short circuit current	kA		5
	Fuse rating	A		100
<b>Ambient conditions</b>				
Temperature				
Operating temperature				
		min	$^{\circ}\text{C}$	-50

Storage temperature	max	°C	70
	min	°C	-60
Max altitude	max	°C	80
		m	3000

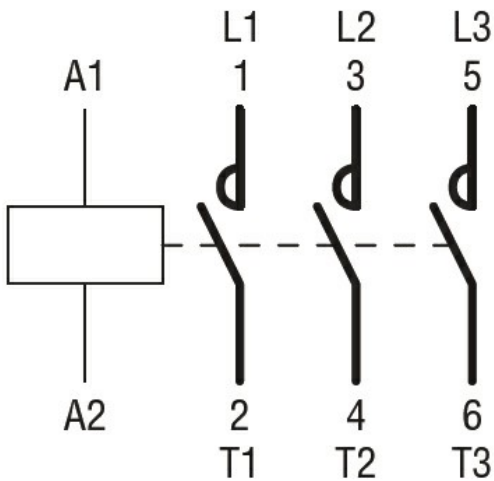
**Resistance & Protection**

Pollution degree	3
------------------	---

**Dimensions**



**Wiring diagrams**



### Certifications and compliance

#### Compliance

CSA C22.2 n° 60947-1

CSA C22.2 n° 60947-4-1

IEC/EN/BS 60947-1

IEC/EN/BS 60947-4-1

UL 60947-1

UL 60947-4-1

#### Certificates

CCC

cULus

EAC

### ETIM classification

ETIM 8.0

EC000066 -  
 Power contactor,  
 AC switching