



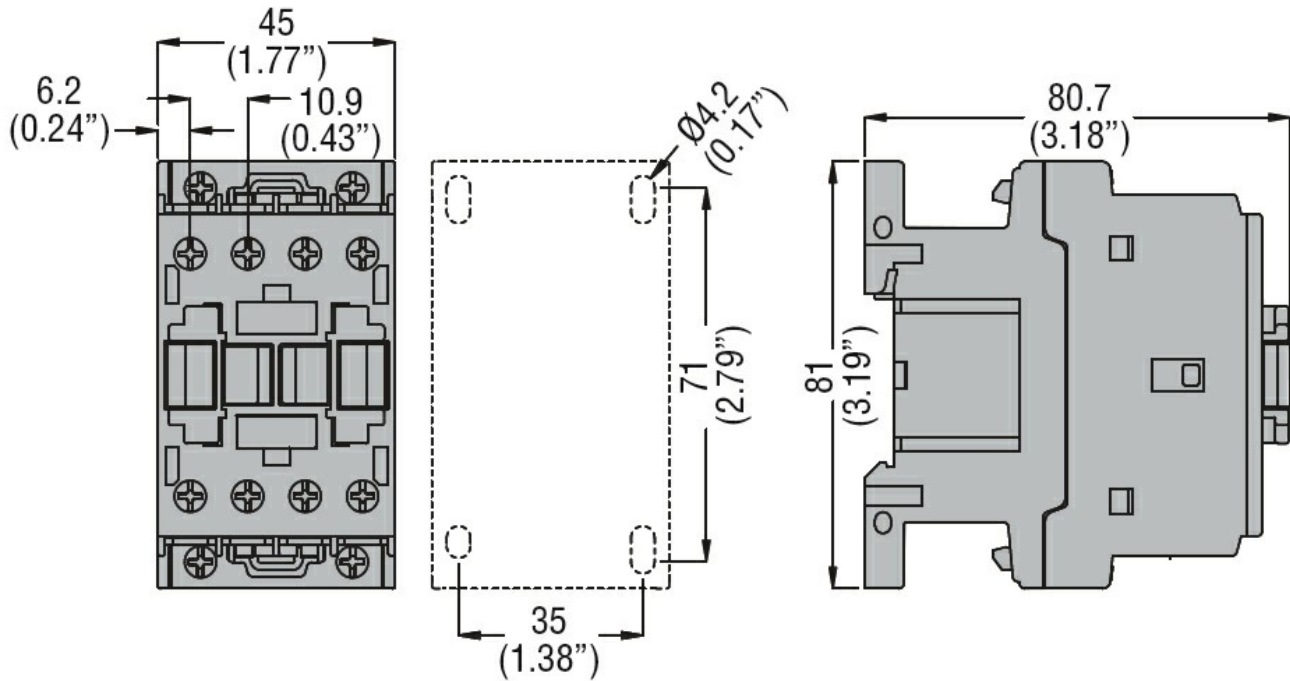
Product designation	Power contactor		
Product type designation	BF18		
Contact characteristics			
Number of poles	Nr.	4	
Rated insulation voltage U_i IEC/EN	V	690	
Rated impulse withstand voltage U_{imp}	kV	6	
Operational frequency	min	Hz	25
	max	Hz	400
IEC Conventional free air thermal current I_{th}	A	32	
Operational current I_e	AC-1 ($\leq 40^\circ\text{C}$)	A	32
	AC-1 ($\leq 55^\circ\text{C}$)	A	26
	AC-1 ($\leq 70^\circ\text{C}$)	A	23
	AC-3 ($\leq 440\text{V} \leq 55^\circ\text{C}$)	A	18
	AC-4 (400V)	A	8.5
Rated operational power AC-1 ($T \leq 40^\circ\text{C}$)	230V	kW	12
	400V	kW	21
	500V	kW	26
	690V	kW	36
IEC max current I_e in DC1 with $L/R \leq 1\text{ms}$ with 1 poles in series	$\leq 24\text{V}$	A	17
	48V	A	15
	75V	A	15
	110V	A	6
	220V	A	–
IEC max current I_e in DC1 with $L/R \leq 1\text{ms}$ with 2 poles in series	$\leq 24\text{V}$	A	20
	48V	A	20
	75V	A	20
	110V	A	13
	220V	A	1
IEC max current I_e in DC1 with $L/R \leq 1\text{ms}$ with 3 poles in series	$\leq 24\text{V}$	A	22
	48V	A	22
	75V	A	20
	110V	A	16
	220V	A	11
IEC max current I_e in DC1 with $L/R \leq 1\text{ms}$ with 4 poles in series	$\leq 24\text{V}$	A	22
	48V	A	22
	75V	A	20
	110V	A	18
	220V	A	13

IEC max current I _e in DC3-DC5 with L/R ≤ 15ms with 1 poles in series	≤24V	A	12
	48V	A	11
	75V	A	11
	110V	A	2
	220V	A	–
	IEC max current I _e in DC3-DC5 with L/R ≤ 15ms with 2 poles in series	≤24V	A
48V		A	13
75V		A	13
110V		A	8
220V		A	2
IEC max current I _e in DC3-DC5 with L/R ≤ 15ms with 3 poles in series		≤24V	A
	48V	A	18
	75V	A	16
	110V	A	12
	220V	A	6
	IEC max current I _e in DC3-DC5 with L/R ≤ 15ms with 4 poles in series	≤24V	A
48V		A	18
75V		A	16
110V		A	13
220V		A	8
Short-time allowable current for 10s (IEC/EN60947-1)			A
Protection fuse	gG (IEC)	A	32
	aM (IEC)	A	20
Making capacity (RMS value)		A	180
Breaking capacity at voltage	440V	A	144
	500V	A	120
	690V	A	94
			mΩ
Resistance per pole (average value)			
Power dissipation per pole (average value)	I _{th}	W	2.6
	AC-3	W	0.8
Tightening torque for terminals	min	Nm	1.5
	max	Nm	1.8
	min	I _{bin}	1.1
	max	I _{bin}	1.5
Tightening torque for coil terminal	min	Nm	0.8
	max	Nm	1
	min	I _{bin}	0.8
	max	I _{bin}	0.74
Max number of wires simultaneously connectable		Nr.	2
Conductor section	AWG/Kcmil		
	max		10
Flexible w/o lug conductor section	min	mm ²	1

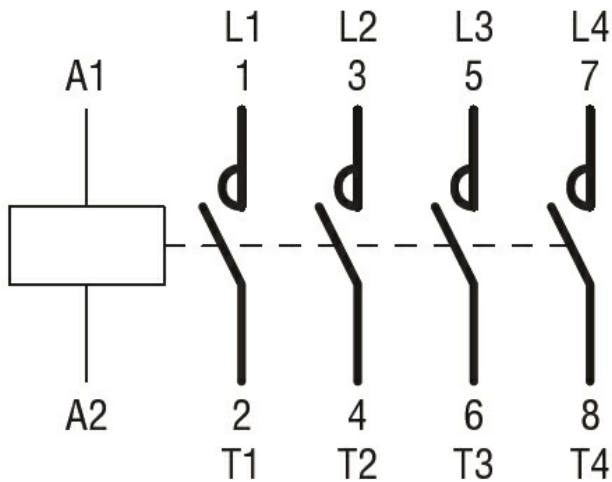
		max	mm ²	6
Flexible c/w lug conductor section		min	mm ²	1
		max	mm ²	4
Flexible with insulated spade lug conductor section		min	mm ²	1
		max	mm ²	4
Power terminal protection according to IEC/EN 60529				IP20 when properly wired
Mechanical features				
Operating position		normal allowable		Vertical plan ±30°
Fixing				Screw / DIN rail 35mm
Weight			g	368
Conductor section	AWG/kcmil conductor section			
		max		10
Operations				
Mechanical life			cycles	20000000
Electrical life			cycles	1600000
Safety related data				
Performance level B10d according to EN/ISO 13489-1		rated load mechanical load	cycles	1600000
			cycles	20000000
Mirror contacts according to IEC/EN 60947-4-1				yes
EMC compatibility				yes
AC coil operating				
Rated AC voltage at 50/60Hz			V	400
AC operating voltage	of 50/60Hz coil powered at 50Hz			
	pick-up	min	%Us	80
		max	%Us	110
	drop-out	min	%Us	20
		max	%Us	55
	of 50/60Hz coil powered at 60Hz			
	pick-up	min	%Us	85
		max	%Us	110
	drop-out	min	%Us	20
		max	%Us	55
AC average coil consumption at 20°C	of 50/60Hz coil powered at 50Hz			
		in-rush	VA	75
		holding	VA	9
	of 50/60Hz coil powered at 60Hz			
		in-rush	VA	70
		holding	VA	6.5
	of 60Hz coil powered at 60Hz			
		in-rush	VA	75

	holding	VA	9
Dissipation at holding $\leq 20^{\circ}\text{C}$ 50Hz		W	2.5
Max cycles frequency			
Mechanical operation		cycles/h	3600
Operating times			
Average time for U_s control in AC			
	Closing NO		
		min	ms 8
		max	ms 24
	Opening NO		
		min	ms 10
		max	ms 20
	Closing NC		
		min	ms 14
		max	ms 28
	Opening NC		
		min	ms 7
		max	ms 18
UL technical data			
Full-load current (FLA) for three-phase AC motor			
	at 480V	A	14
	at 600V	A	17
Yielded mechanical performance			
for single-phase AC motor			
	110/120V	HP	1
	230V	HP	3
for three-phase AC motor			
	200/208V	HP	5
	220/230V	HP	5
	460/480V	HP	10
	575/600V	HP	15
General USE			
Contactor			
	AC current	A	32
Short-circuit protection fuse, 600V			
High fault			
	Short circuit current	kA	100
	Fuse rating	A	60
	Fuse class		J
Standard fault			
	Short circuit current	kA	5
	Fuse rating	A	80
Ambient conditions			
Temperature			
Operating temperature			
	min	$^{\circ}\text{C}$	-50
	max	$^{\circ}\text{C}$	70
Storage temperature			
	min	$^{\circ}\text{C}$	-60
	max	$^{\circ}\text{C}$	80
Max altitude		m	3000
Resistance & Protection			
Pollution degree			3

Dimensions



Wiring diagrams



Certifications and compliance

Compliance

CSA C22.2 n° 60947-1
CSA C22.2 n° 60947-4-1
IEC/EN/BS 60947-1
IEC/EN/BS 60947-4-1
UL 60947-1
UL 60947-4-1

Certificates

CCC
cULus
EAC

ETIM classification

ETIM 8.0

EC000066 -
Power contactor,
AC switching