



Product designation
Product type designation

Power contactor
BF160

Contact characteristics

Number of poles	Nr.	3
Rated insulation voltage U _i IEC/EN	V	1000
Rated impulse withstand voltage U _{imp}	kV	8
Operational frequency	min	Hz 25
	max	Hz 400
IEC Conventional free air thermal current I _{th}	A	250
Operational current I _e	AC-1 (≤40°C)	A 250
	AC-1 (≤55°C)	A 210
	AC-1 (≤70°C)	A 180
	AC-3 (≤440V ≤55°C)	A 160
	AC-4 (400V)	A 75
Rated operational power AC-3 (T≤55°C)	230V	kW 45
	400V	kW 75
	415V	kW 90
	440V	kW 90
	500V	kW 110
	690V	kW 132
	1000V	kW 75
Rated operational current AC-3 (T≤55°C)	230V	A 160
	400V	A 160
	415V	A 160
	440V	A 160
	500V	A 150
	690V	A 135
	1000V	A 60
Rated operational power AC-1 (T≤40°C)	230V	kW 95
	400V	kW 165
	500V	kW 181
	690V	kW 284
IEC max current I _e in DC1 with L/R ≤ 1ms with 1 poles in series	≤24V	A 250
	48V	A 250
	75V	A 250
	110V	A 110
	220V	A –
IEC max current I _e in DC1 with L/R ≤ 1ms with 2 poles in series	≤24V	A 250

	48V	A	250
	75V	A	250
	110V	A	150
	220V	A	130
<hr/>			
IEC max current Ie in DC1 with L/R ≤ 1ms with 3 poles in series	≤24V	A	250
	48V	A	250
	75V	A	250
	110V	A	160
	220V	A	150
	330V	A	130
<hr/>			
IEC max current Ie in DC1 with L/R ≤ 1ms with 4 poles in series	≤24V	A	250
	48V	A	250
	75V	A	250
	110V	A	250
	220V	A	250
<hr/>			
IEC max current Ie in DC3-DC5 with L/R ≤ 15ms with 1 poles in series	≤24V	A	250
	48V	A	250
	75V	A	160
	110V	A	80
	220V	A	–
<hr/>			
IEC max current Ie in DC3-DC5 with L/R ≤ 15ms with 2 poles in series	≤24V	A	250
	48V	A	250
	75V	A	160
	110V	A	120
	220V	A	90
<hr/>			
IEC max current Ie in DC3-DC5 with L/R ≤ 15ms with 3 poles in series	≤24V	A	250
	48V	A	250
	75V	A	160
	110V	A	140
	220V	A	120
	330V	A	90
<hr/>			
IEC max current Ie in DC3-DC5 with L/R ≤ 15ms with 4 poles in series	≤24V	A	250
	48V	A	250
	75V	A	160
	110V	A	140
	220V	A	140
	330V	A	140
	460V	A	90
<hr/>			
Short-time allowable current for 10s (IEC/EN60947-1)		A	1280
<hr/>			
Protection fuse	gG (IEC)	A	315
	aM (IEC)	A	200
<hr/>			
Making capacity (RMS value)		A	1360
<hr/>			
Breaking capacity at voltage	440V	A	1360
	500V	A	1326
	690V	A	1139
<hr/>			
Resistance per pole (average value)		mΩ	0.18

Power dissipation per pole (average value)

Ith	W	11
AC-3	W	4.5

Tightening torque for terminals

min	Nm	18
max	Nm	18
min	Ibin	159
max	Ibin	159

Tightening torque for coil terminal

min	Nm	0.8
max	Nm	1

Power terminal protection according to IEC/EN 60529

IP00

Mechanical features

Operating position

normal allowable	Vertical plan ±30°
---------------------	-----------------------

Fixing

Screw

Weight

g 3000

Operations

Mechanical life

cycles 10000000

Electrical life

cycles 1000000

Safety related data

Performance level B10d according to EN/ISO 13489-1

rated load cycles 1000000

EMC compatibility

yes

AC coil operating

Rated AC voltage at 50/60Hz, 60Hz

min	V	24
max	V	60

AC operating voltage

of 50/60Hz coil powered at 50Hz
pick-up

min	%Us	80 Us min
max	%Us	110 Us max

drop-out

max %Us ≤70 Us min

of 50/60Hz coil powered at 60Hz
pick-up

min	%Us	80 Us min
max	%Us	110 Us max

drop-out

max %Us ≤70 Us min

AC average coil consumption at 20°C

of 50/60Hz coil powered at 50Hz

in-rush	VA	160...230
holding	VA	1.5...3.0

of 50/60Hz coil powered at 60Hz

in-rush	VA	160...230
holding	VA	1.5...3.0

of 60Hz coil powered at 60Hz

in-rush	VA	160...230
holding	VA	1.5...3.0

Dissipation at holding ≤20°C 50Hz

W 1.5...3.0

DC coil operating

DC rated control voltage

min	V	20
max	V	60

DC operating voltage

pick-up

min	%Us	85 Us min
max	%Us	110 Us max

drop-out

max	%Us	≤70 Us min
-----	-----	------------

Average coil consumption ≤20°C

in-rush	W	160...230
holding	W	1.5...3.0

Max cycles frequency

Mechanical operation

cycles/h 1000

Operating times

Average time for Us control

in AC

Closing NO

min	ms	50
max	ms	100

Opening NO

min	ms	35
max	ms	75

UL technical data

Yielded mechanical performance

for three-phase AC motor

200/208V	HP	50
220/230V	HP	60
460/480V	HP	125
575/600V	HP	150

General USE

Contactor

AC current A 250

Short-circuit protection fuse, 600V

High fault

Short circuit current	kA	100
Fuse rating	A	400
Fuse class		J

Standard fault

Short circuit current	kA	10
Fuse rating	A	400
Fuse class		RK5

Ambient conditions

Temperature

Operating temperature

min	°C	-40
max	°C	70

Storage temperature

min	°C	-50
max	°C	80

Max altitude

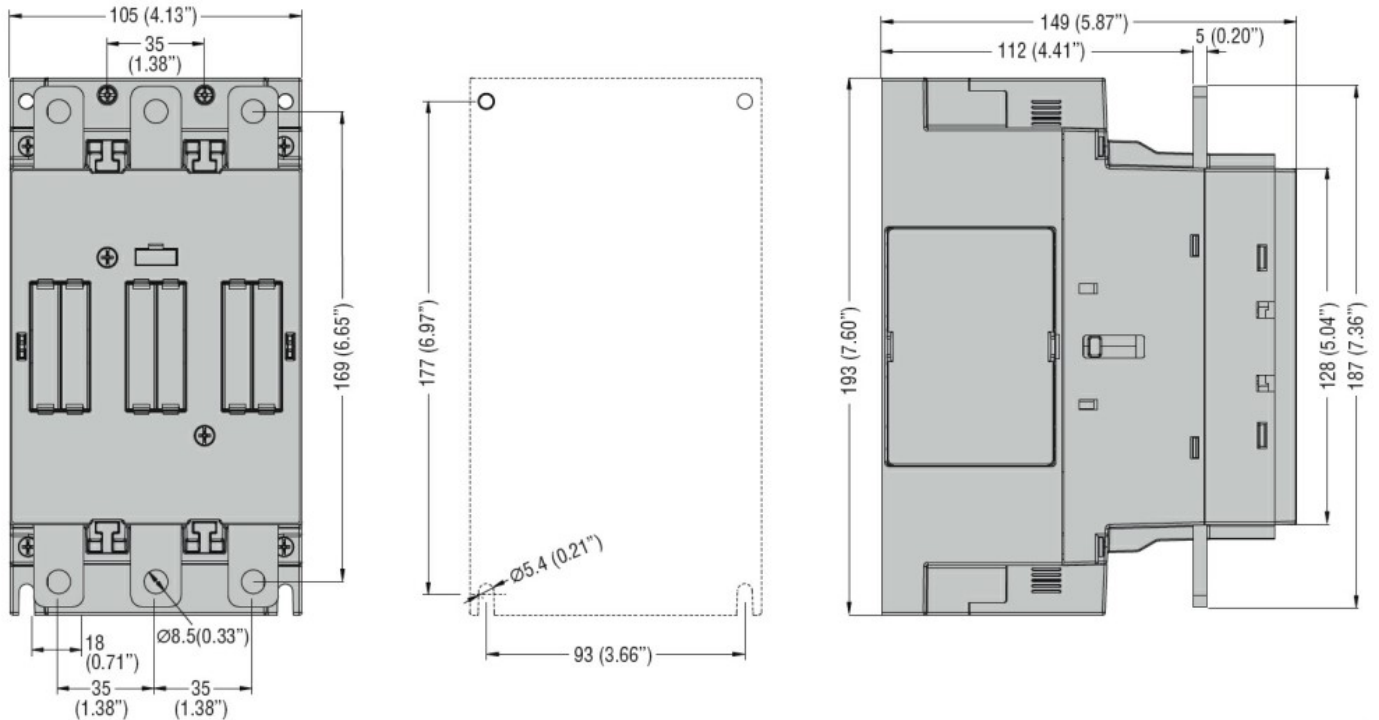
m 3000

Resistance & Protection

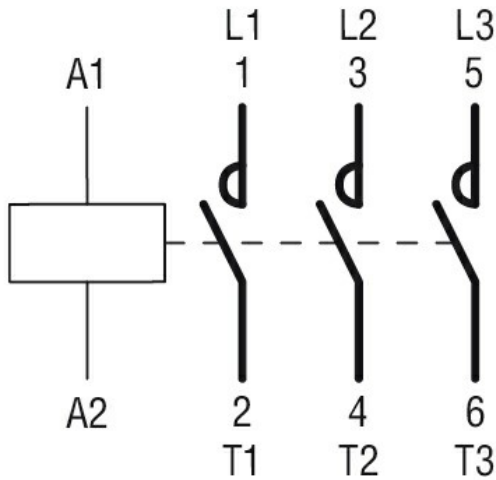
Pollution degree

3

Dimensions



Wiring diagrams



Certifications and compliance

Compliance

CSA C22.2 n° 60947-1
 CSA C22.2 n° 60947-4-1
 IEC/EN/BS 60947-1
 IEC/EN/BS 60947-4-1
 UL 60947-1
 UL 60947-4-1

Certificates

cULus

ETIM classification

ETIM 8.0

EC000066 -
Power contactor,
AC switching