



Product designation				Power contactor
Product type designation				BF115
<b>Contact characteristics</b>				
Number of poles	Nr.			4
Rated insulation voltage $U_i$ IEC/EN	V			1000
Rated impulse withstand voltage $U_{imp}$	kV			8
Operational frequency	min	Hz	25	
	max	Hz	400	
IEC Conventional free air thermal current $I_{th}$	A			160
Operational current $I_e$	AC-1 ( $\leq 40^\circ\text{C}$ )	A	160	
	AC-1 ( $\leq 55^\circ\text{C}$ )	A	130	
	AC-1 ( $\leq 70^\circ\text{C}$ )	A	115	
	AC-3 ( $\leq 440\text{V} \leq 55^\circ\text{C}$ )	A	115	
	AC-4 (400V)	A	54	
Rated operational current AC-3 ( $T \leq 55^\circ\text{C}$ )	230V	A	115	
	400V	A	115	
	415V	A	115	
	440V	A	115	
	500V	A	106	
	690V	A	106	
	1000V	A	39	
IEC max current $I_e$ in DC1 with $L/R \leq 1\text{ms}$ with 1 poles in series	$\leq 24\text{V}$	A	160	
	48V	A	160	
	75V	A	120	
	110V	A	10	
	220V	A	-	
IEC max current $I_e$ in DC1 with $L/R \leq 1\text{ms}$ with 2 poles in series	$\leq 24\text{V}$	A	160	
	48V	A	160	
	75V	A	160	
	110V	A	130	
	220V	A	14	
IEC max current $I_e$ in DC1 with $L/R \leq 1\text{ms}$ with 3 poles in series	$\leq 24\text{V}$	A	160	
	48V	A	160	
	75V	A	160	
	110V	A	140	
	220V	A	145	
IEC max current $I_e$ in DC1 with $L/R \leq 1\text{ms}$ with 4 poles in series	$\leq 24\text{V}$	A	160	
	48V	A	160	

	75V	A	160
	110V	A	160
	220V	A	160
<hr/>			
IEC max current I <sub>e</sub> in DC3-DC5 with L/R ≤ 15ms with 1 poles in series	≤24V	A	160
	48V	A	50
	75V	A	40
	110V	A	6
	220V	A	–
<hr/>			
IEC max current I <sub>e</sub> in DC3-DC5 with L/R ≤ 15ms with 2 poles in series	≤24V	A	160
	48V	A	72
	75V	A	65
	110V	A	65
	220V	A	7
<hr/>			
IEC max current I <sub>e</sub> in DC3-DC5 with L/R ≤ 15ms with 3 poles in series	≤24V	A	160
	48V	A	150
	75V	A	100
	110V	A	100
	220V	A	92
<hr/>			
IEC max current I <sub>e</sub> in DC3-DC5 with L/R ≤ 15ms with 4 poles in series	≤24V	A	160
	48V	A	120
	75V	A	120
	110V	A	125
	220V	A	115
<hr/>			
Short-time allowable current for 10s (IEC/EN60947-1)		A	920
<hr/>			
Protection fuse	gG (IEC)	A	200
	aM (IEC)	A	125
<hr/>			
Making capacity (RMS value)		A	1500
<hr/>			
Breaking capacity at voltage	440V	A	1200
	500V	A	850
	690V	A	905
<hr/>			
Resistance per pole (average value)		mΩ	0.45
<hr/>			
Power dissipation per pole (average value)	I <sub>th</sub>	W	11.5
	AC-3	W	6.0
<hr/>			
Tightening torque for terminals	min	Nm	6
	max	Nm	7
	min	lbin	4.4
	max	lbin	5.2
<hr/>			
Tightening torque for coil terminal	min	Nm	0.8
	max	Nm	1
	min	lbin	0.59
	max	lbin	0.74
<hr/>			
Conductor section	AWG/Kcmil		
	max		2/0

Flexible w/o lug conductor section			
	min	mm <sup>2</sup>	1.5
	max	mm <sup>2</sup>	70
Flexible c/w lug conductor section			
	min	mm <sup>2</sup>	1.5
	max	mm <sup>2</sup>	70
Power terminal protection according to IEC/EN 60529			IP20 front
<b>Mechanical features</b>			
Operating position			
	normal allowable		Vertical plan ±30°
Fixing			Screw / DIN rail 35mm
Weight			g 2420
Conductor section			
AWG/kcmil conductor section			
	max		2/0
<b>Operations</b>			
Mechanical life		cycles	15000000
Electrical life		cycles	1200000
<b>AC coil operating</b>			
Rated AC voltage at 60Hz		V	230
AC operating voltage			
of 50/60Hz coil powered at 50Hz drop-out			
	max	%Us	55
of 60Hz coil powered at 60Hz pick-up			
	min	%Us	80
	max	%Us	110
drop-out			
	min	%Us	20
	max	%Us	55
AC average coil consumption at 20°C			
of 60Hz coil powered at 60Hz			
	in-rush holding	VA	300
		VA	20
<b>Max cycles frequency</b>			
Mechanical operation		cycles/h	1500
<b>Operating times</b>			
Average time for Us control in AC			
Closing NO			
	min	ms	16
	max	ms	32
Opening NO			
	min	ms	9
	max	ms	24
<b>UL technical data</b>			
General USE			
Contactor			
	AC current	A	165
Short-circuit protection fuse, 600V High fault			

Short circuit current	kA	100
Fuse rating	A	200
Fuse class		J

Standard fault

Short circuit current	kA	10
Fuse rating	A	250
Fuse class		RK5

Ambient conditions

Temperature

Operating temperature

min	°C	-50
max	°C	70

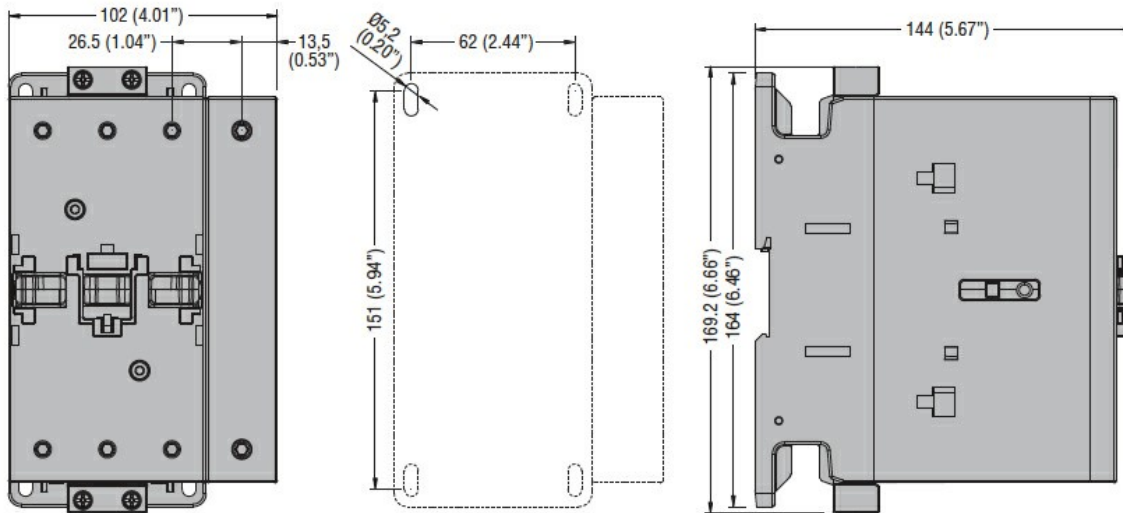
Storage temperature

min	°C	-60
max	°C	+80

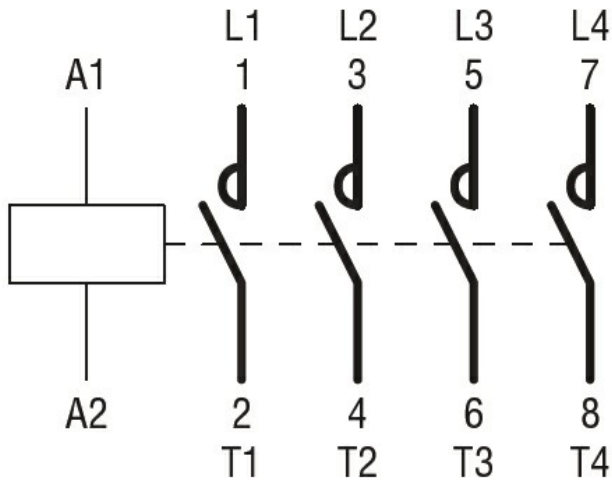
Max altitude

m 3000

Dimensions



Wiring diagrams



Certifications and compliance

Compliance

CSA C22.2 n° 60947-1

CSA C22.2 n° 60947-4-1

IEC/EN/BS 60947-1

---

IEC/EN/BS 60947-4-1

---

UL 60947-1

---

UL 60947-4-1

Certificates

---

CCC

---

cULus

---

EAC

ETIM classification

ETIM 8.0

EC000066 -  
Power contactor,  
AC switching