



Product designation				Auxiliary contactor
Product type designation				BF00
Contact characteristics				
Number of poles		Nr.	4	
Rated insulation voltage U_i IEC/EN		V	690	
Rated impulse withstand voltage U_{imp}		kV	6	
Operational frequency				
	min	Hz	25	
	max	Hz	400	
IEC Conventional free air thermal current I_{th}		A	10	
Protection fuse				
		gG (IEC)	A	25
Tightening torque for terminals				
	min	Nm	1.5	
	max	Nm	1.8	
	min	lbin	1.1	
	max	lbin	1.5	
Tightening torque for coil terminal				
	min	Nm	0.8	
	max	Nm	1	
	min	lbin	0.8	
	max	lbin	0.74	
Max number of wires simultaneously connectable		Nr.	2	
Conductor section				
AWG/Kcmil				
		max		10
Flexible w/o lug conductor section				
	min	mm ²	1	
	max	mm ²	6	
Flexible c/w lug conductor section				
	min	mm ²	1	
	max	mm ²	4	
Flexible with insulated spade lug conductor section				
	min	mm ²	1	
	max	mm ²	4	
Power terminal protection according to IEC/EN 60529				IP20 when properly wired
Mechanical features				
Operating position				
		normal allowable		Vertical plan ±30°
Fixing				Screw / DIN rail 35mm
Weight			g	350

Conductor section	AWG/kcmil conductor section			max	10
Auxiliary contact characteristics					
Thermal current I _{th}				A	10
IEC/EN 60947-5-1 designation				A600 - P600	
Operating current AC15				230V	A 3
				400V	A 1.9
				500V	A 1.4
Operating current DC12				110V	A 5.7
Operating current DC13				24V	A 5.7
				48V	A 2.9
				60V	A 2.3
				110V	A 1.25
				125V	A 1.1
				220V	A 0.55
				600V	A 0.2
Operations					
Mechanical life				cycles	20000000
Safety related data					
Performance level B10d according to EN/ISO 13489-1				mechanical load	cycles 20000000
Mirror contacts according to IEC/EN 60947-4-1				YES	
EMC compatibility				yes	
AC coil operating					
Rated AC voltage at 60Hz				V	220
AC operating voltage	of 60Hz coil powered at 60Hz				
	pick-up			min %Us	80
				max %Us	110
	drop-out			min %Us	20
				max %Us	55
AC average coil consumption at 20°C	of 60Hz coil powered at 60Hz			in-rush VA	75
				holding VA	9
Dissipation at holding ≤20°C 50Hz				W	2.5
Max cycles frequency					
Mechanical operation				cycles/h	3600
Operating times					
Average time for U _s control	in AC				
	Closing NO			min ms	8
				max ms	24
	Opening NO			min ms	10
				max ms	20

Closing NC	min	ms	9
	max	ms	25
Opening NC	min	ms	9
	max	ms	15

UL technical data

General USE

Auxiliary contacts

AC current A 10

Contact rating of auxiliary contacts according to UL

A600 - P600

Ambient conditions

Temperature

Operating temperature

min	°C	-50
max	°C	70

Storage temperature

min	°C	-60
max	°C	80

Max altitude

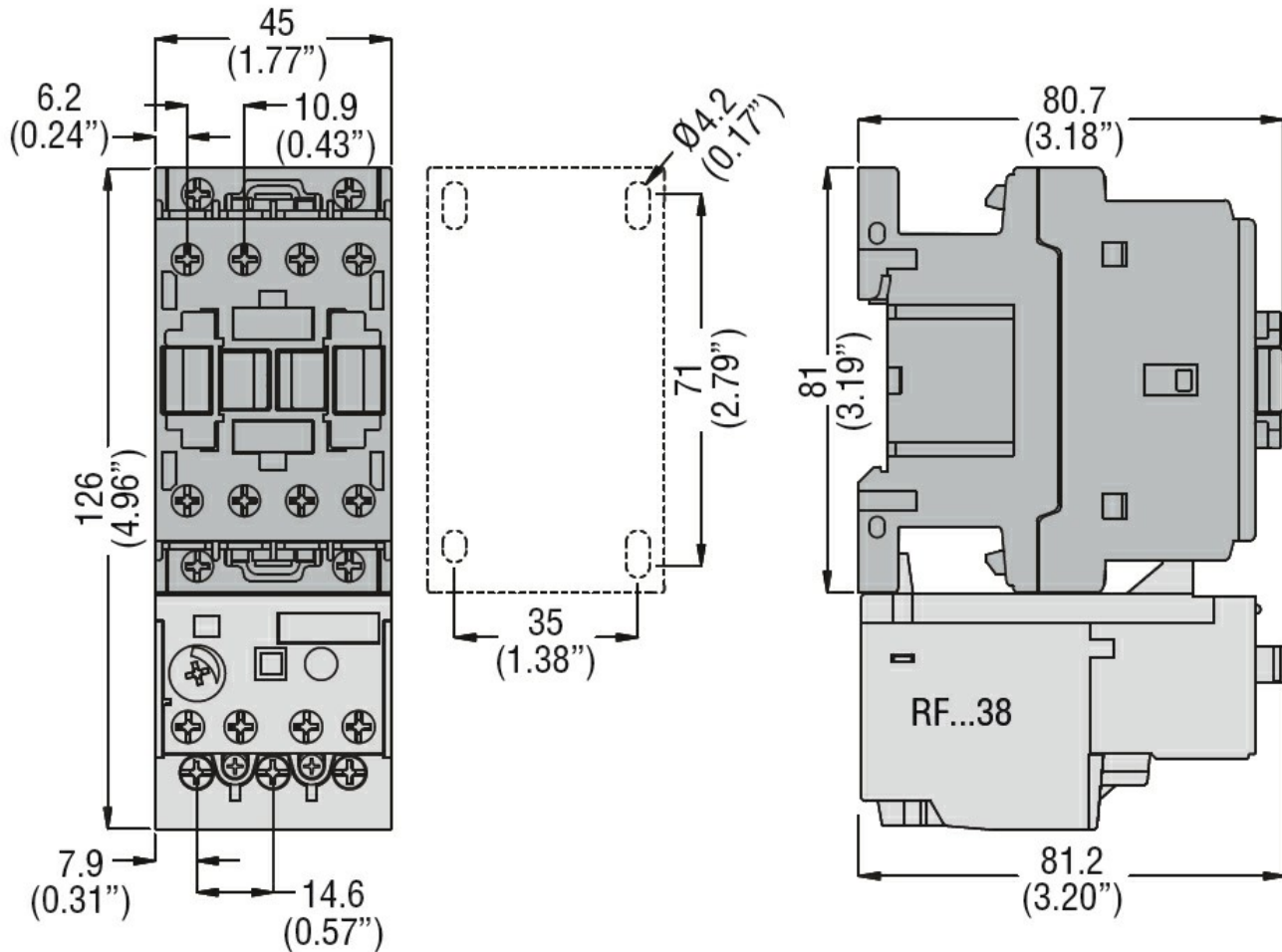
m 3000

Resistance & Protection

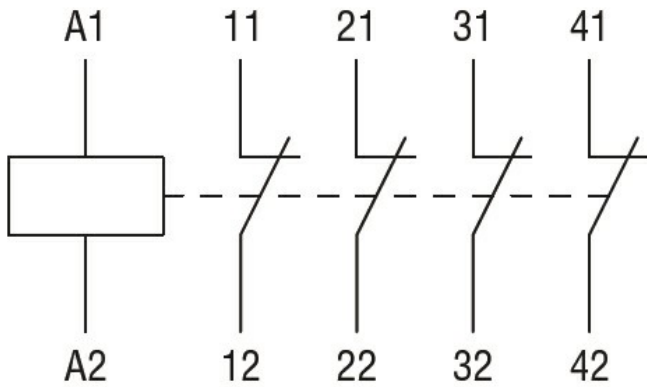
Pollution degree

3

Dimensions



Wiring diagrams



Certifications and compliance

Compliance

CSA C22.2 n° 60947-1
 CSA C22.2 n° 60947-5-1
 IEC/EN 60947-1
 IEC/EN 60947-5-1
 UL 60947-1
 UL 60947-5-1

Certificates

CCC
 cULus
 EAC

ETIM classification

ETIM 8.0

EC000196 -
 Contactor relay