



Product designation				Auxiliary contactor
Product type designation				BF00
<b>Contact characteristics</b>				
Number of poles	Nr.			4
Rated insulation voltage $U_i$ IEC/EN	V			690
Rated impulse withstand voltage $U_{imp}$	kV			6
Operational frequency	min	Hz	25	
	max	Hz	400	
IEC Conventional free air thermal current $I_{th}$	A			10
Protection fuse	gG (IEC)		A	25
	Tightening torque for terminals			
	min	Nm	1.5	
	max	Nm	1.8	
	min	lbin	1.1	
	max	lbin	1.5	
Tightening torque for coil terminal				
	min	Nm	0.8	
	max	Nm	1	
	min	lbin	0.8	
	max	lbin	0.74	
Max number of wires simultaneously connectable	Nr.			2
Conductor section				
AWG/Kcmil	max		10	
	Flexible w/o lug conductor section			
	min	mm <sup>2</sup>	1	
	max	mm <sup>2</sup>	6	
Flexible c/w lug conductor section				
	min	mm <sup>2</sup>	1	
	max	mm <sup>2</sup>	4	
Flexible with insulated spade lug conductor section				
	min	mm <sup>2</sup>	1	
	max	mm <sup>2</sup>	4	
Power terminal protection according to IEC/EN 60529				IP20 when properly wired
<b>Mechanical features</b>				
Operating position				
	normal allowable		Vertical plan $\pm 30^\circ$	
Fixing				Screw / DIN rail 35mm
Weight			g	353

Conductor section	AWG/kcmil conductor section			max	10
<b>Auxiliary contact characteristics</b>					
Thermal current I <sub>th</sub>				A	10
IEC/EN 60947-5-1 designation				A600 - P600	
Operating current AC15				230V	A 3
				400V	A 1.9
				500V	A 1.4
Operating current DC12				110V	A 5.7
Operating current DC13				24V	A 5.7
				48V	A 2.9
				60V	A 2.3
				110V	A 1.25
				125V	A 1.1
				220V	A 0.55
				600V	A 0.2
<b>Operations</b>					
Mechanical life				cycles	20000000
<b>Safety related data</b>					
Performance level B10d according to EN/ISO 13489-1				mechanical load	cycles 20000000
Mirror contacts according to IEC/EN 60947-4-1				YES	
EMC compatibility				yes	
<b>AC coil operating</b>					
Rated AC voltage at 60Hz				V	24
AC operating voltage	of 60Hz coil powered at 60Hz				
	pick-up			min %Us	80
				max %Us	110
	drop-out			min %Us	20
				max %Us	55
AC average coil consumption at 20°C	of 60Hz coil powered at 60Hz			in-rush VA	75
				holding VA	9
Dissipation at holding ≤20°C 50Hz				W	2.5
<b>Max cycles frequency</b>					
Mechanical operation				cycles/h	3600
<b>Operating times</b>					
Average time for U <sub>s</sub> control	in AC				
	Closing NO			min ms	8
				max ms	24
	Opening NO			min ms	10
				max ms	20

Closing NC	min	ms	9
	max	ms	25
Opening NC	min	ms	9
	max	ms	15

**UL technical data**

General USE

Auxiliary contacts

AC current A 10

Contact rating of auxiliary contacts according to UL

A600 - P600

**Ambient conditions**

Temperature

Operating temperature

min	°C	-50
max	°C	70

Storage temperature

min	°C	-60
max	°C	80

Max altitude

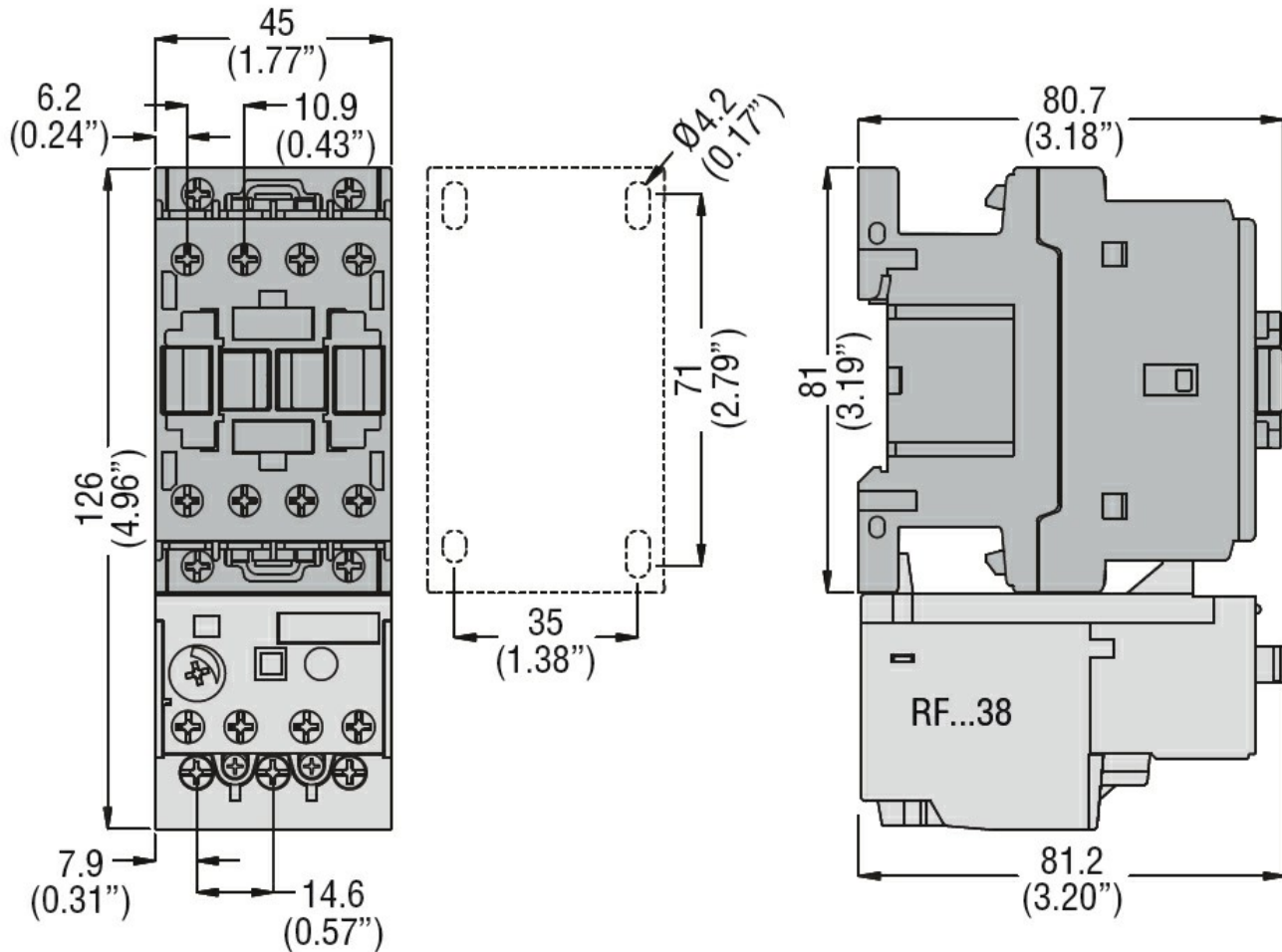
m 3000

**Resistance & Protection**

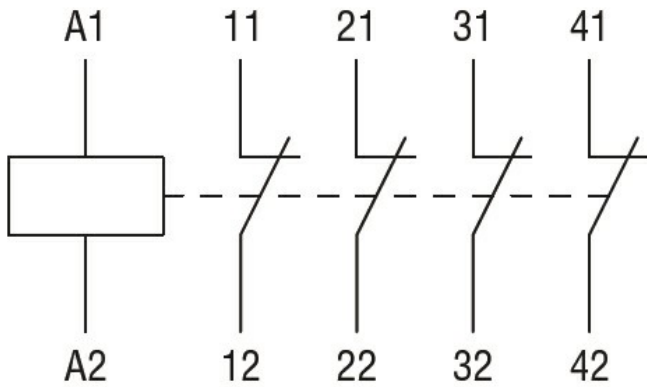
Pollution degree

3

**Dimensions**



**Wiring diagrams**



### Certifications and compliance

#### Compliance

CSA C22.2 n° 60947-1

CSA C22.2 n° 60947-5-1

IEC/EN 60947-1

IEC/EN 60947-5-1

UL 60947-1

UL 60947-5-1

#### Certificates

CCC

cULus

EAC

### ETIM classification

ETIM 8.0

EC000196 -  
Contactor relay