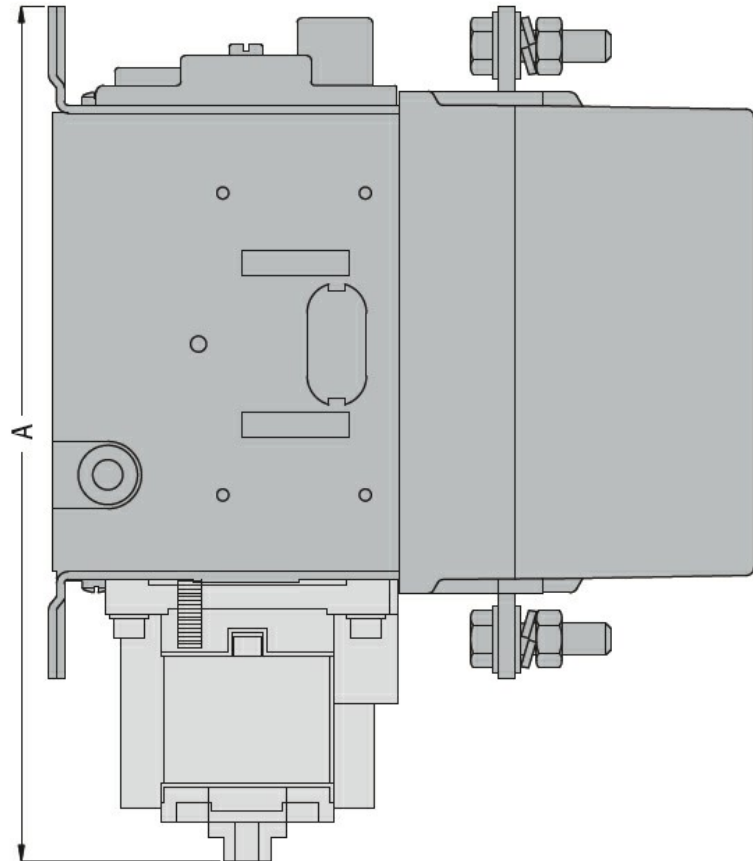
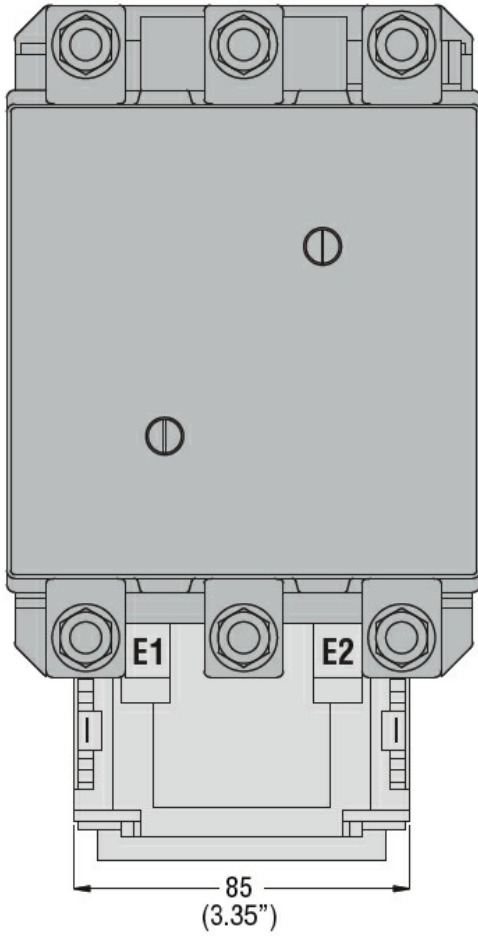


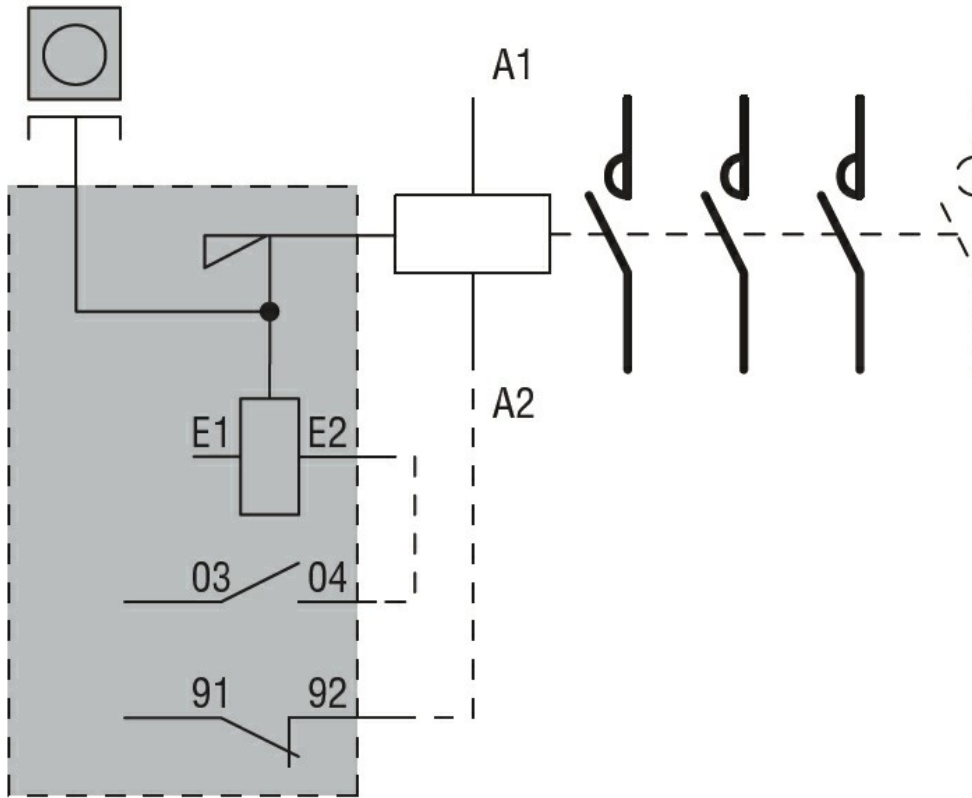


Dimensions



| CONTACTOR TYPE | A |
|--------------------|--------------|
| B115 - B145 - B180 | 221 (8.70") |
| B250 - B400 | 255 (8.86") |
| B500 - B630 | 300 (11.81") |

Wiring diagrams



Certifications and compliance

Compliance

CSA C22.2 n° 60947-1

IEC/EN 60947-1

UL 60947-1

Certificates

/

ETIM classification

ETIM 8.0

EC002498 -
Accessories/spare
parts for low-
voltage switch
technology