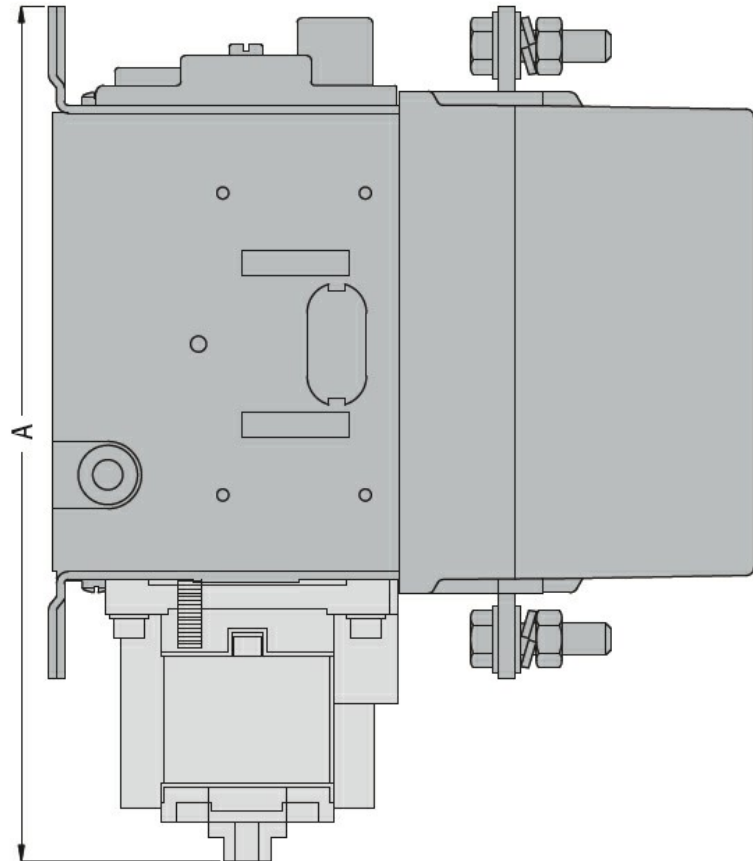
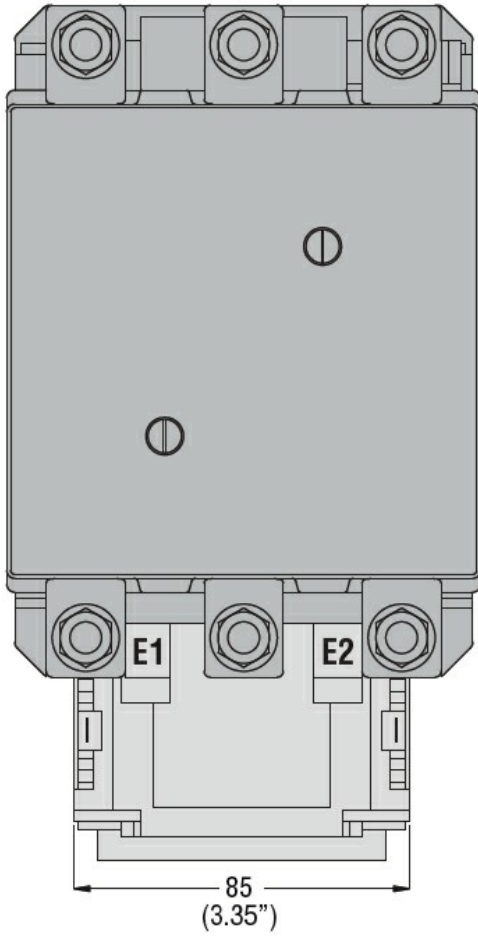


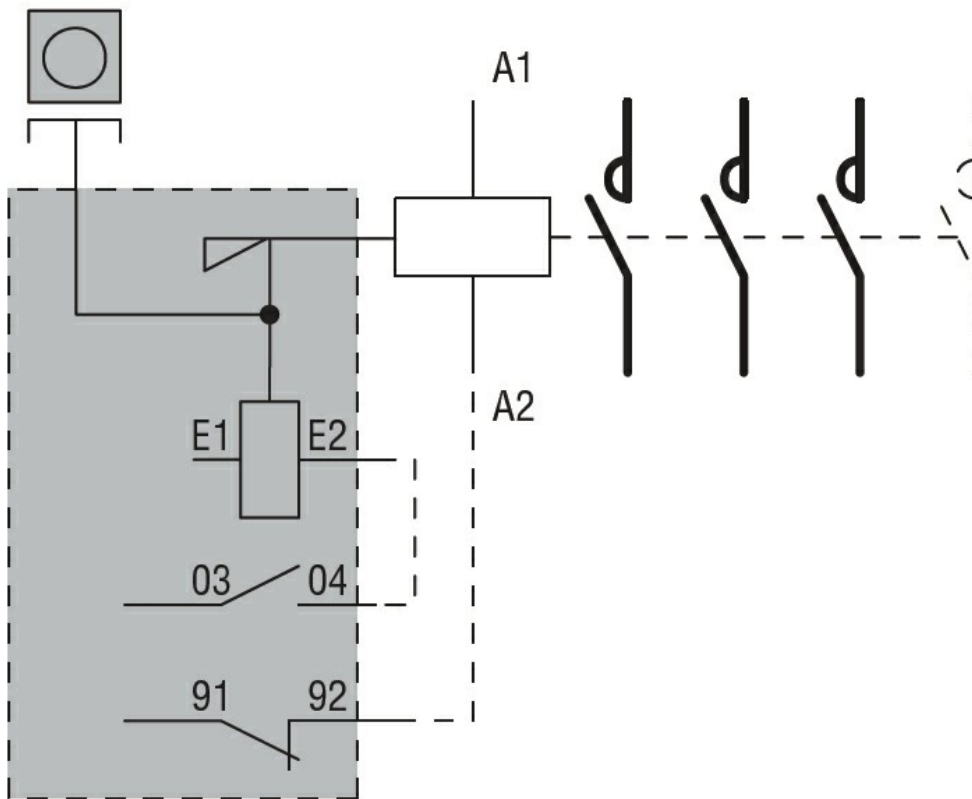


**Dimensions**



| CONTACTOR TYPE     | A            |
|--------------------|--------------|
| B115 - B145 - B180 | 221 (8.70")  |
| B250 - B400        | 255 (8.86")  |
| B500 - B630        | 300 (11.81") |

**Wiring diagrams**



**Certifications and compliance**

Compliance

CSA C22.2 n° 60947-1  
 IEC/EN 60947-1  
 UL 60947-1

Certificates

/

**ETIM classification**

ETIM 8.0

EC002498 -  
 Accessories/spare  
 parts for low-  
 voltage switch  
 technology