

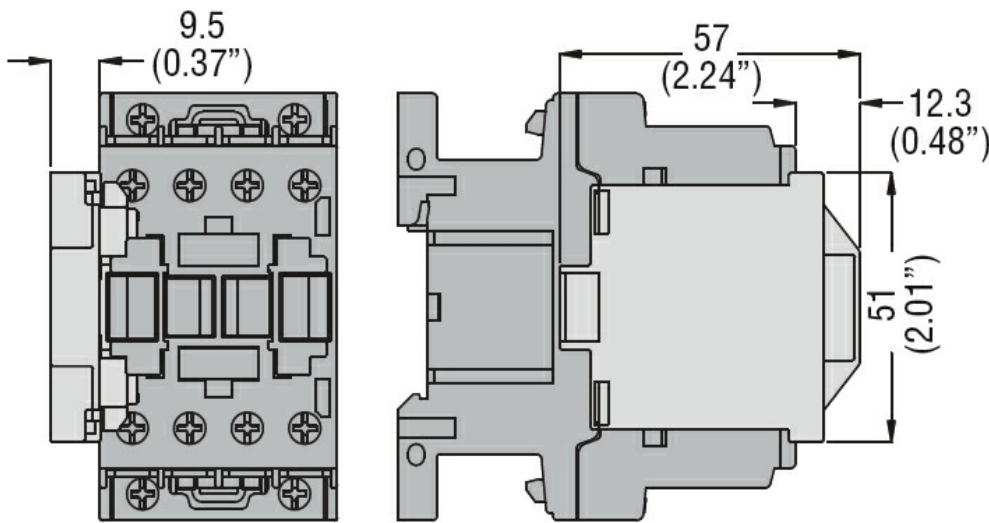


**Mechanical features**

Fixing

Side mounting

**Dimensions**



**Wiring diagrams**



**Certifications and compliance**

Compliance

- CSA C22.2 n° 60947-1
- CSA C22.2 n° 60947-5-1
- IEC/EN 60947-1
- IEC/EN 60947-5-1
- UL 60947-1
- UL 60947-5-1

Certificates

EAC

**ETIM classification**

ETIM 8.0

EC000041 -  
Auxiliary contact  
block