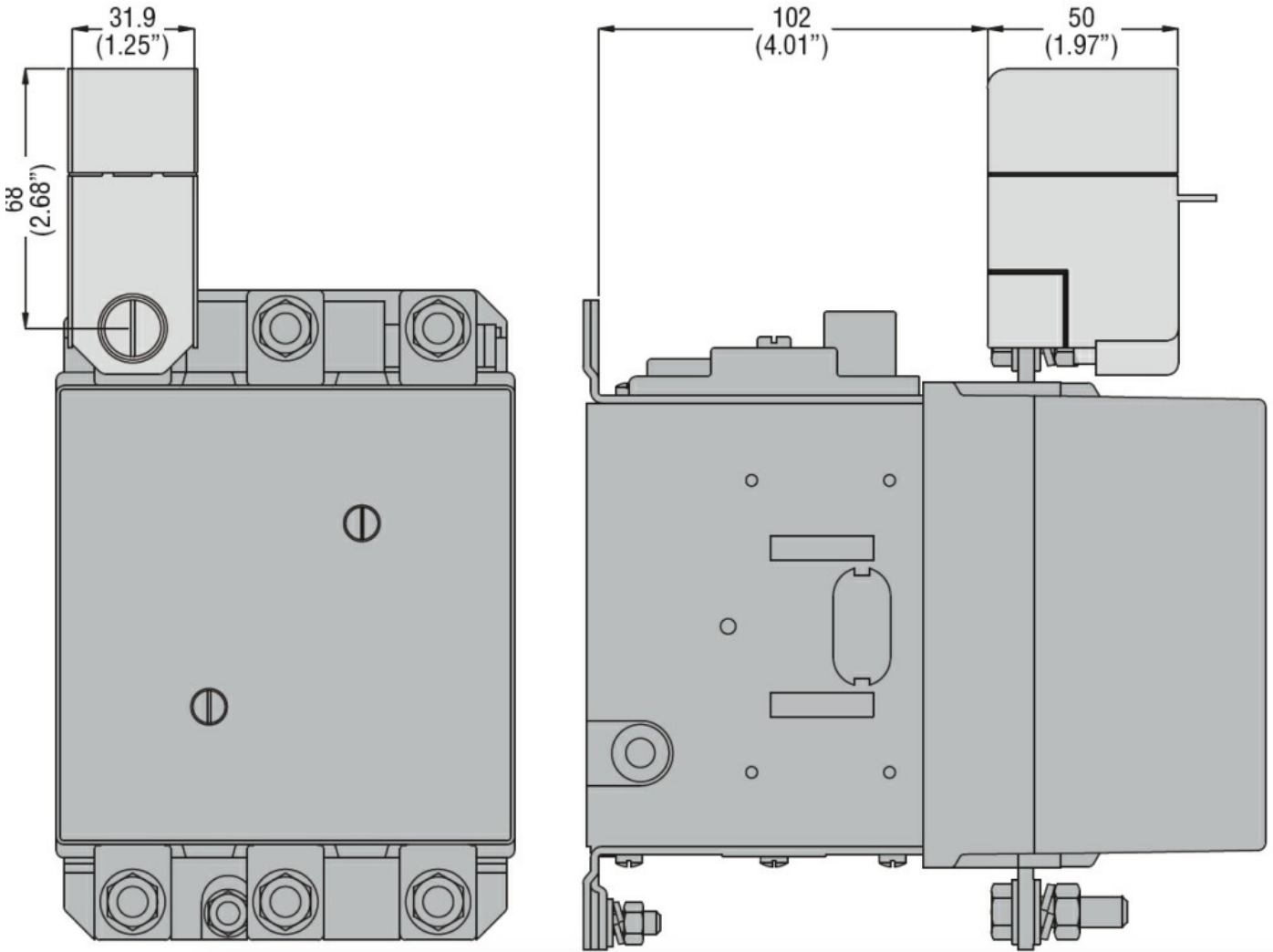




Dimensions



Certifications and compliance

Certificates

CSA
EAC

ETIM classification

ETIM 8.0

EC002498 -
Accessories/spare
parts for low-
voltage switch
technology