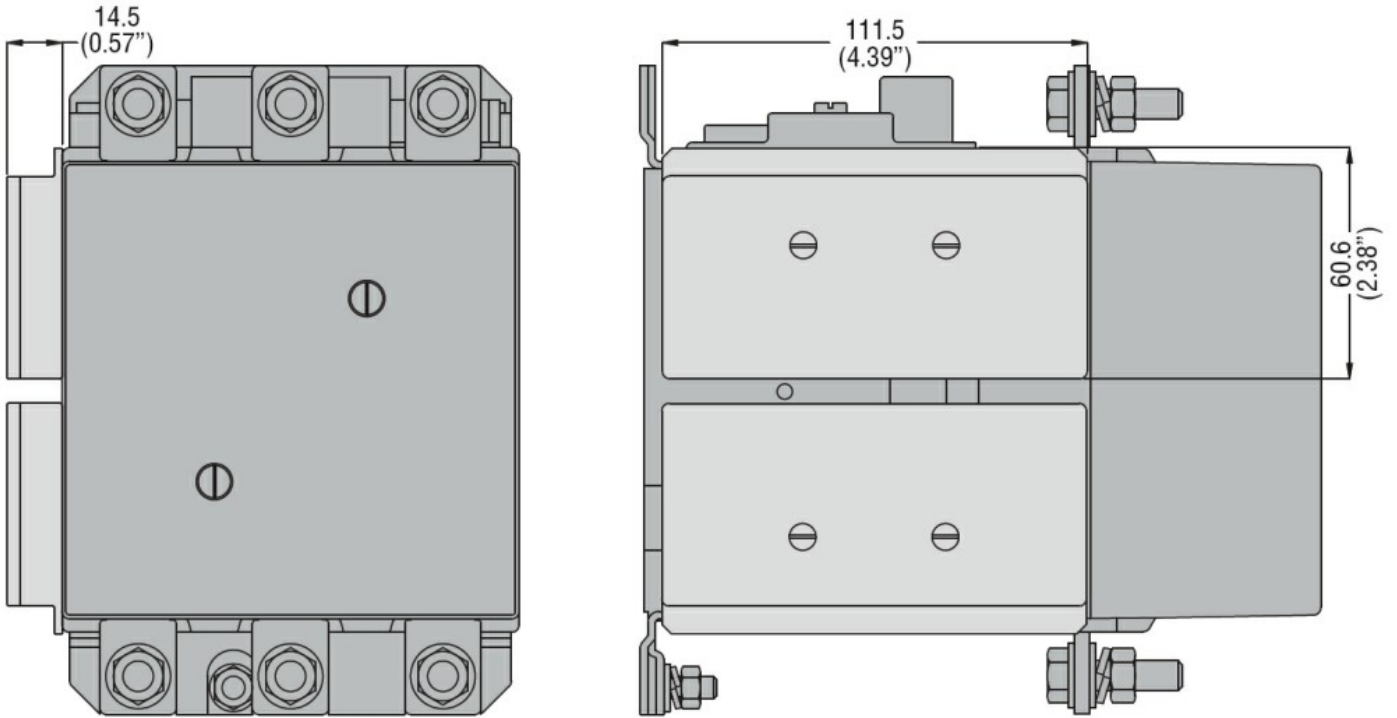
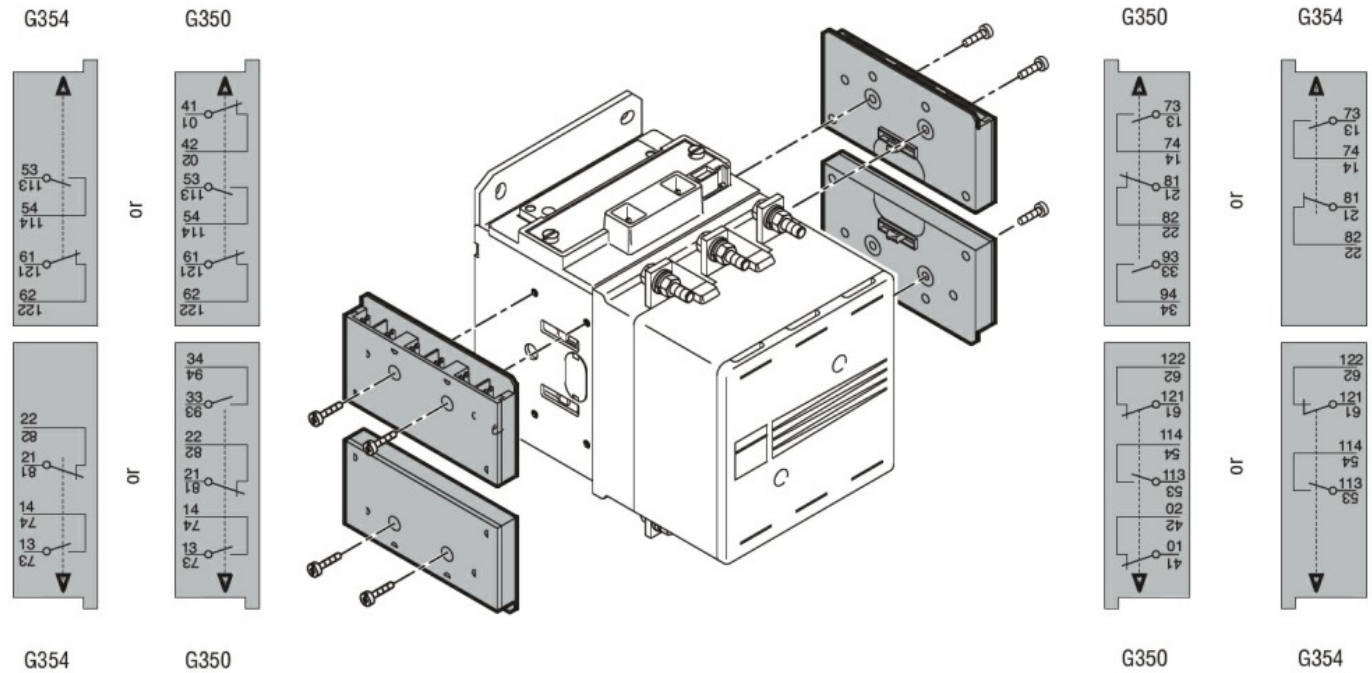




Product designation				Auxiliary contact
Product type designation				G350
Contact characteristics				
Number of poles	Nr.			4
Rated insulation voltage U_i IEC/EN	V			690
IEC Conventional free air thermal current I_{th}	A			10
Mechanical features				
Operating position	normal allowable			On vertical plane Any
Fixing				Side mounting
Weight	g			82
Auxiliary contact characteristics				
Type of contact				2NO+1NC or 1NO+2NC reversible
Thermal current I_{th}	A			10
IEC/EN 60947-5-1 designation				A600 - P600
Operating current AC15				
	230V	A	3	
	400V	A	1.9	
	500V	A	1.4	
Electrical characteristics				
Conductivity				5V 10 mA
UL/CSA and IEC/EN 60947-5-1 designation				A600 P600
Operating current AC15				
	120V	A	6	
	240V	A	3	
	480V	A	1.5	
Ambient conditions				
Temperature				
Operating temperature	min	°C	-50	
	max	°C	+70	
Storage temperature	min	°C	-60	
	max	°C	+80	
Max altitude	m			3000
Dimensions				



Wiring diagrams



Certifications and compliance

Compliance

- CSA C22.2 n° 60947-1
- CSA C22.2 n° 60947-5-1
- IEC/EN 60947-1
- IEC/EN 60947-5-1
- UL 60947-1
- UL 60947-5-1

Certificates

- CCC
- cULus
- EAC

UR

ETIM classification

ETIM 8.0

EC000041 -
Auxiliary contact
block