

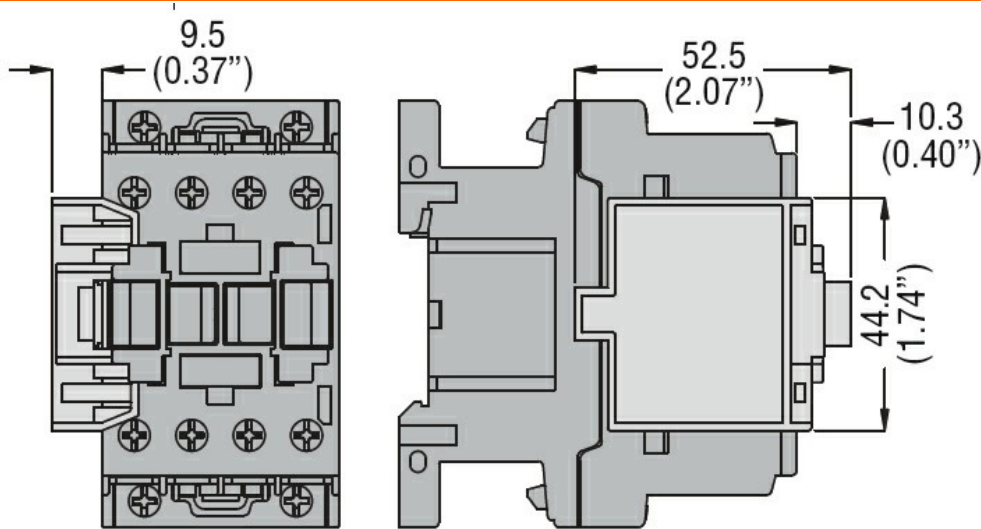


Mechanical features

Fixing

Side mounting

Dimensions



Certifications and compliance

Certificates

/

ETIM classification

ETIM 8.0

EC002498 -
Accessories/spare
parts for low-
voltage switch
technology