



Contact characteristics

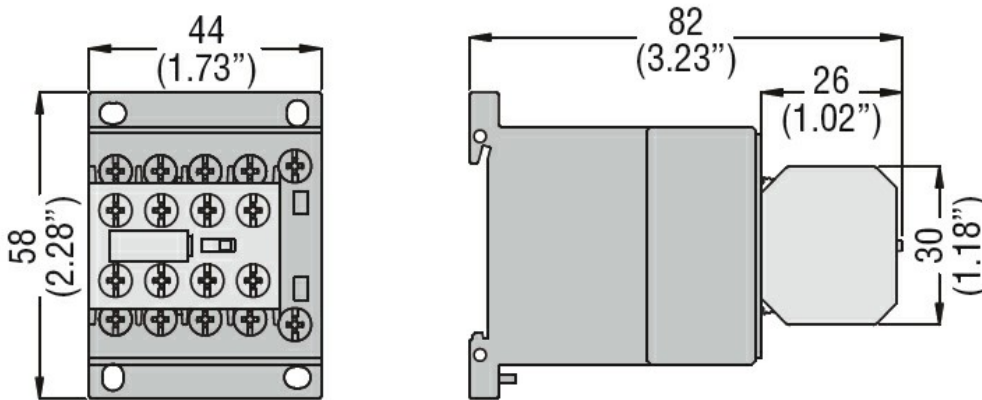
Tightening torque for terminals

min	Ibin	9
max	Ibin	9

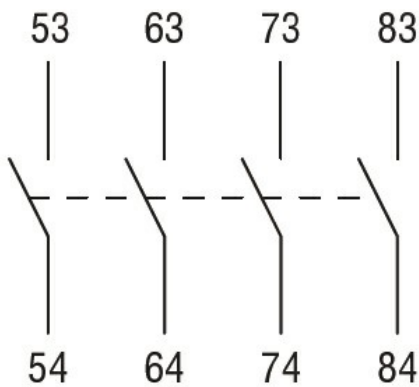
Tightening torque for coil terminal

min	Ibin	9
max	Ibin	9

Dimensions



Wiring diagrams



Certifications and compliance

Compliance

- CSA C22.2 n° 60947-1
- CSA C22.2 n° 60947-5-1
- IEC/EN 60947-1
- IEC/EN 60947-5-1
- UL 60947-1
- UL 60947-5-1

Certificates

- CCC
- cULus
- EAC

ETIM classification

ETIM 8.0

EC000041 -
Auxiliary contact
block