



**Contact characteristics**

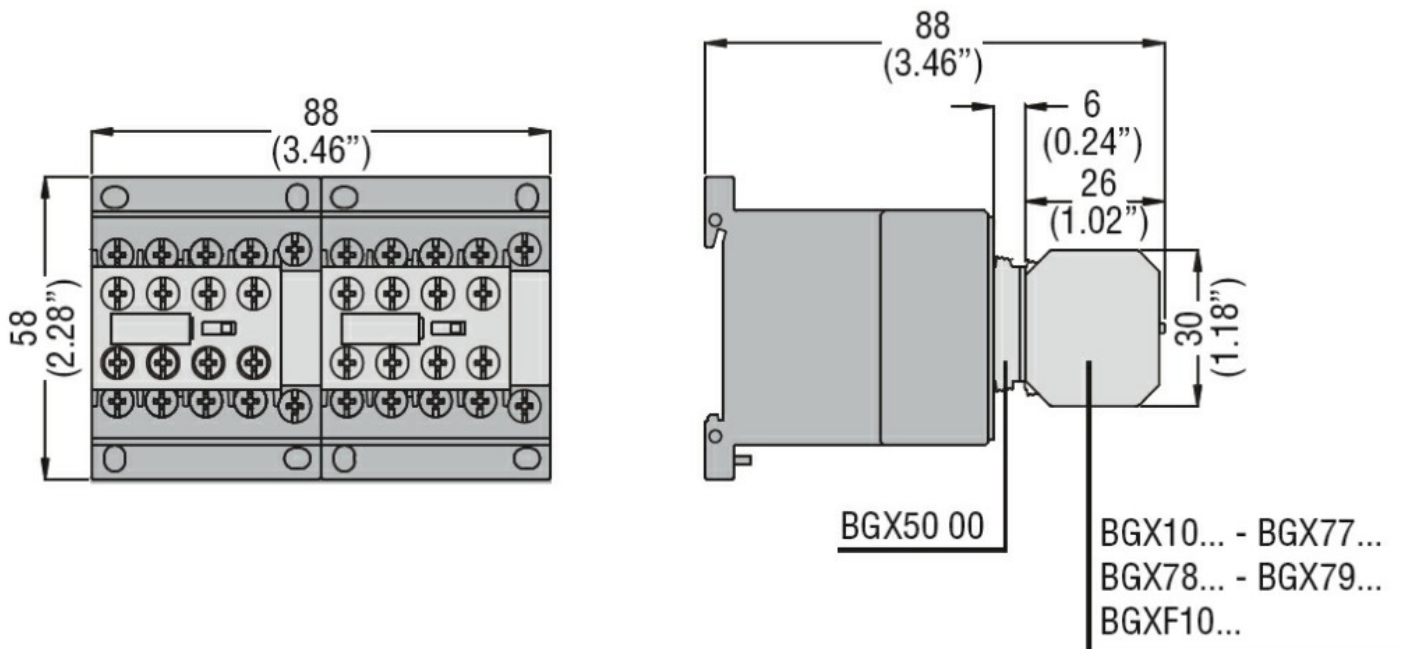
Tightening torque for terminals

min	Ibin	9
max	Ibin	9

Tightening torque for coil terminal

min	Ibin	9
max	Ibin	9

**Dimensions**



**Certifications and compliance**

Compliance

- CSA C22.2 n° 60947-1
- IEC/EN 60947-1
- UL 60947-1

Certificates

- cULus
- EAC

**ETIM classification**

ETIM 8.0

EC001044 -  
Mechanic  
interlock for  
switch