



| | | | |
|--|---|-----------|------|
| Product designation | Power contactor | | |
| Product type designation | BGP09 | | |
| Contact characteristics | | | |
| Number of poles | Nr. | 4 | |
| Rated insulation voltage U_i IEC/EN | V | 500 | |
| Rated impulse withstand voltage U_{imp} | kV | 6 | |
| Operational frequency | min | Hz | 25 |
| | max | Hz | 400 |
| IEC Conventional free air thermal current I_{th} | A | 20 | |
| Operational current I_e | AC-1 ($\leq 40^\circ\text{C}$) | A | 20 |
| | AC-1 ($\leq 55^\circ\text{C}$) | A | 18 |
| | AC-1 ($\leq 70^\circ\text{C}$) | A | 15 |
| | AC-3 ($\leq 440\text{V} \leq 55^\circ\text{C}$) | A | 9 |
| | AC-4 (400V) | A | 4 |
| Rated operational power AC-1 ($T \leq 40^\circ\text{C}$) | 230V | kW | 8 |
| | 400V | kW | 14 |
| | 500V | kW | 16 |
| Short-time allowable current for 10s (IEC/EN60947-1) | A | 96 | |
| Protection fuse | gG (IEC) | A | 20 |
| | aM (IEC) | A | 10 |
| Making capacity (RMS value) | A | 92 | |
| Breaking capacity at voltage | 440V | A | 72 |
| | 500V | A | 72 |
| Resistance per pole (average value) | m Ω | 10 | |
| Power dissipation per pole (average value) | I_{th} | W | 4 |
| | AC-3 | W | 0.81 |
| Tightening torque for terminals | min | Nm | 0.8 |
| | max | Nm | 1 |
| | min | I_{bin} | 9 |
| | max | I_{bin} | 9 |
| Tightening torque for coil terminal | min | Nm | 0.8 |
| | max | Nm | 1 |
| | min | I_{bin} | 9 |
| | max | I_{bin} | 9 |
| Max number of wires simultaneously connectable | Nr. | 2 | |
| Conductor section | AWG/Kcmil | | |

| | | | | |
|---|---------------------------------|------------------|-----------------|-----------------------|
| | | max | | 12 |
| Flexible w/o lug conductor section | | min | mm ² | 0.8 |
| | | max | mm ² | 2.5 |
| Flexible c/w lug conductor section | | min | mm ² | 1.5 |
| | | max | mm ² | 2.5 |
| Flexible with insulated spade lug conductor section | | min | mm ² | 1.5 |
| | | max | mm ² | 2.5 |
| Power terminal protection according to IEC/EN 60529 | | | | IP00 |
| Mechanical features | | | | |
| Operating position | | normal allowable | | Vertical plan ±30° |
| Fixing | | | | Screw / DIN rail 35mm |
| Weight | | | g | 200 |
| Conductor section | AWG/kcmil conductor section | | | |
| | | max | | 12 |
| Auxiliary contact characteristics | | | | |
| Thermal current I _{th} | | | A | 10 |
| IEC/EN 60947-5-1 designation | | | | A600 |
| Operations | | | | |
| Mechanical life | | | cycles | 20000000 |
| Electrical life | | | cycles | 500000 |
| Safety related data | | | | |
| Performance level B10d according to EN/ISO 13489-1 | | rated load | cycles | 500000 |
| | | mechanical load | cycles | 20000000 |
| Mirror contacts according to IEC/EN 60947-4-1 | | | | yes |
| EMC compatibility | | | | yes |
| AC coil operating | | | | |
| Rated AC voltage at 50/60Hz | | | V | 400 |
| AC operating voltage | of 50/60Hz coil powered at 50Hz | | | |
| | pick-up | min | %Us | 75 |
| | | max | %Us | 115 |
| | drop-out | min | %Us | 20 |
| | | max | %Us | 55 |
| | of 50/60Hz coil powered at 60Hz | | | |
| | pick-up | min | %Us | 80 |
| | | max | %Us | 115 |
| | drop-out | min | %Us | 20 |
| | | max | %Us | 55 |
| AC average coil consumption at 20°C | of 50/60Hz coil powered at 50Hz | | | |
| | | in-rush | VA | 30 |
| | | holding | VA | 4 |

of 50/60Hz coil powered at 60Hz

| | | |
|---------|----|----|
| in-rush | VA | 25 |
| holding | VA | 3 |

of 60Hz coil powered at 60Hz

| | | |
|---------|----|----|
| in-rush | VA | 30 |
| holding | VA | 4 |

Dissipation at holding $\leq 20^{\circ}\text{C}$ 50Hz

| | |
|---|------|
| W | 0.95 |
|---|------|

Max cycles frequency

Mechanical operation

| | |
|----------|------|
| cycles/h | 3600 |
|----------|------|

Operating times

Average time for Us control

in AC

Closing NO

| | | |
|-----|----|----|
| min | ms | 12 |
| max | ms | 21 |

Opening NO

| | | |
|-----|----|----|
| min | ms | 9 |
| max | ms | 18 |

Closing NC

| | | |
|-----|----|----|
| min | ms | 17 |
| max | ms | 26 |

Opening NC

| | | |
|-----|----|----|
| min | ms | 7 |
| max | ms | 17 |

in DC

Closing NO

| | | |
|-----|----|----|
| min | ms | 18 |
| max | ms | 25 |

Opening NO

| | | |
|-----|----|---|
| min | ms | 2 |
| max | ms | 3 |

Closing NC

| | | |
|-----|----|---|
| min | ms | 3 |
| max | ms | 5 |

Opening NC

| | | |
|-----|----|----|
| min | ms | 11 |
| max | ms | 17 |

UL technical data

Full-load current (FLA) for three-phase AC motor

| | | |
|---------|---|-----|
| at 480V | A | 7.6 |
| at 600V | A | 6.1 |

Yielded mechanical performance

for single-phase AC motor

| | | |
|----------|----|-----|
| 110/120V | HP | 0.5 |
| 230V | HP | 1.5 |

for three-phase AC motor

| | | |
|----------|----|---|
| 200/208V | HP | 2 |
| 220/230V | HP | 3 |
| 460/480V | HP | 5 |
| 575/600V | HP | 5 |

General USE

Contactor

| | | |
|------------|---|----|
| AC current | A | 20 |
|------------|---|----|

Ambient conditions

Temperature

Operating temperature

| | | |
|-----|----|-----|
| min | °C | -50 |
| max | °C | +70 |

Storage temperature

| | | |
|-----|----|-----|
| min | °C | -60 |
| max | °C | +80 |

Max altitude

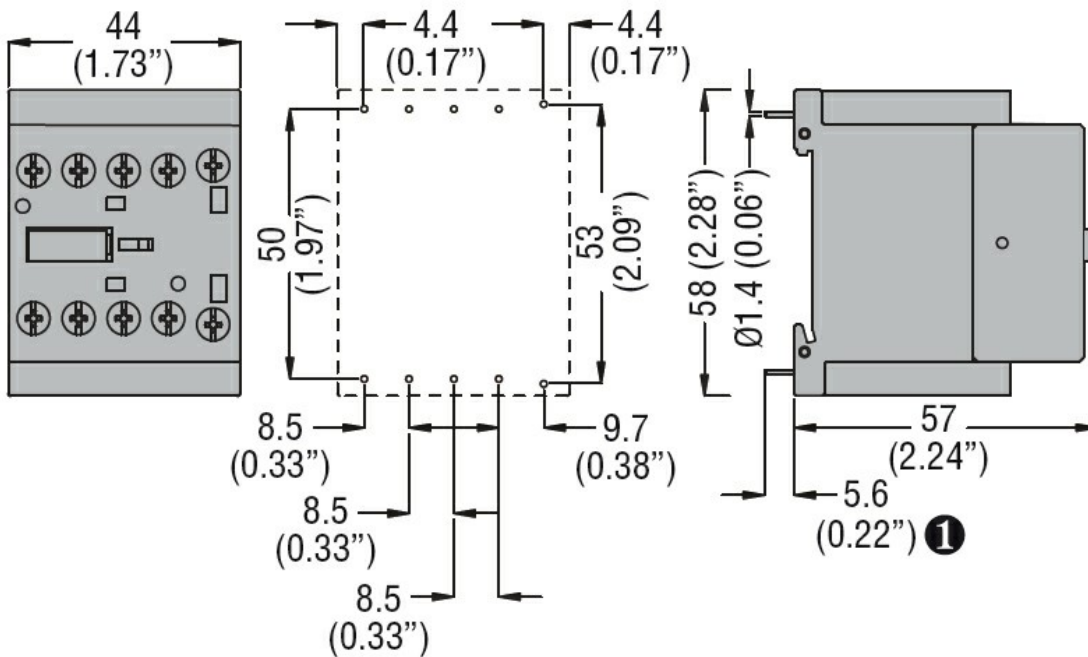
| | |
|---|------|
| m | 3000 |
|---|------|

Resistance & Protection

Pollution degree

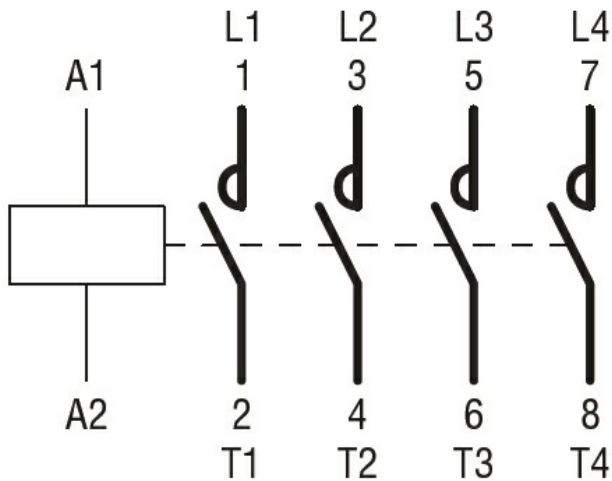
3

Dimensions



① Recommended PCB drillings 1.7-2mm.

Wiring diagrams



Certifications and compliance

Compliance

- CSA C22.2 n° 60947-1
- CSA C22.2 n° 60947-4-1
- IEC/EN 60947-1

IEC/EN 60947-4-1

UL 60947-1

UL 60947-4-1

Certificates

cURus

EAC

ETIM classification

ETIM 8.0

EC000066 -
Power contactor,
AC switching