



Product designation				Power contactor
Product type designation				BG06
<b>Contact characteristics</b>				
Number of poles	Nr.			3
Rated insulation voltage U <sub>i</sub> IEC/EN	V			690
Rated impulse withstand voltage U <sub>imp</sub>	kV			6
Operational frequency	min	Hz	25	
	max	Hz	400	
IEC Conventional free air thermal current I <sub>th</sub>	A			16
Operational current I <sub>e</sub>	AC-1 (≤40°C)	A	16	
	AC-1 (≤55°C)	A	14	
	AC-1 (≤70°C)	A	12	
	AC-3 (≤440V ≤55°C)	A	6	
	AC-4 (400V)	A	3.3	
Rated operational power AC-3 (T≤55°C)	230V	kW	1.5	
	400V	kW	2.2	
	415V	kW	2.4	
	440V	kW	2.5	
	500V	kW	3	
	690V	kW	3	
Rated operational power AC-1 (T≤40°C)	230V	kW	6	
	400V	kW	10	
	500V	kW	13	
	690V	kW	18	
IEC max current I <sub>e</sub> in DC1 with L/R ≤ 1ms with 1 poles in series	≤24V	A	9	
	48V	A	8	
	75V	A	4	
	110V	A	3	
	220V	A	–	
IEC max current I <sub>e</sub> in DC1 with L/R ≤ 1ms with 2 poles in series	≤24V	A	12	
	48V	A	11	
	75V	A	7	
	110V	A	6	
	220V	A	–	
IEC max current I <sub>e</sub> in DC1 with L/R ≤ 1ms with 3 poles in series	≤24V	A	14	
	48V	A	14	
	75V	A	8	
	110V	A	8	

	220V	A	1
IEC max current I <sub>e</sub> in DC1 with L/R ≤ 1ms with 4 poles in series	≤24V	A	–
	48V	A	–
	75V	A	–
	110V	A	–
	220V	A	–
IEC max current I <sub>e</sub> in DC3-DC5 with L/R ≤ 15ms with 1 poles in series	≤24V	A	6
	48V	A	5
	75V	A	2
	110V	A	1
	220V	A	–
IEC max current I <sub>e</sub> in DC3-DC5 with L/R ≤ 15ms with 2 poles in series	≤24V	A	7
	48V	A	7
	75V	A	4
	110V	A	3
	220V	A	–
IEC max current I <sub>e</sub> in DC3-DC5 with L/R ≤ 15ms with 3 poles in series	≤24V	A	9
	48V	A	9
	75V	A	5
	110V	A	4
	220V	A	0,5
IEC max current I <sub>e</sub> in DC3-DC5 with L/R ≤ 15ms with 4 poles in series	≤24V	A	–
	48V	A	–
	75V	A	–
	110V	A	–
	220V	A	–
Short-time allowable current for 10s (IEC/EN60947-1)		A	96
Protection fuse	gG (IEC)	A	16
	aM (IEC)	A	6
Making capacity (RMS value)		A	92
Breaking capacity at voltage	440V	A	72
	500V	A	72
	690V	A	72
Resistance per pole (average value)		mΩ	10
Power dissipation per pole (average value)	I <sub>th</sub>	W	2.6
	AC-3	W	0.36
Tightening torque for terminals	min	Nm	0.8
	max	Nm	1
	min	I <sub>bin</sub>	9
	max	I <sub>bin</sub>	9
Tightening torque for coil terminal	min	Nm	0.8
	max	Nm	1
	min	I <sub>bin</sub>	9

		max	lbin	9
Max number of wires simultaneously connectable			Nr.	2
Conductor section	AWG/Kcmil	max		12
Flexible w/o lug conductor section		min	mm <sup>2</sup>	0.75
		max	mm <sup>2</sup>	2.5
Flexible c/w lug conductor section		min	mm <sup>2</sup>	1.5
		max	mm <sup>2</sup>	2.5
Flexible with insulated spade lug conductor section		min	mm <sup>2</sup>	1.5
		max	mm <sup>2</sup>	2.5
Power terminal protection according to IEC/EN 60529				IP20 when properly wired

**Mechanical features**

Operating position		normal allowable		Vertical plan ±30°
Fixing				Screw / DIN rail 35mm
Weight			g	214
Conductor section	AWG/kcmil conductor section	max		12

**Auxiliary contact characteristics**

Thermal current I <sub>th</sub>		A		10
IEC/EN 60947-5-1 designation				A600 - Q600
Operating current AC15		230V	A	3
		400V	A	1.9
		500V	A	1.4
Operating current DC12		110V	A	2.9
Operating current DC13		24V	A	2.9
		48V	A	1.4
		60V	A	1.2
		110V	A	0.6
		125V	A	0.55
		220V	A	0.3
		600V	A	0.1

**Operations**

Mechanical life		cycles		20000000
Electrical life		cycles		500000

**Safety related data**

Performance level B10d according to EN/ISO 13489-1		rated load	cycles	500000
		mechanical load	cycles	20000000
Mirror contacts according to IEC/EN 60947-4-1				yes
EMC compatibility				yes

**DC coil operating**

DC rated control voltage		V	110
DC operating voltage			
	pick-up	min	%Us 75
		max	%Us 115
	drop-out	min	%Us 10
		max	%Us 25
Average coil consumption $\leq 20^{\circ}\text{C}$			
	in-rush	W	3.2
	holding	W	3.2

**Max cycles frequency**

Mechanical operation		cycles/h	3600
----------------------	--	----------	------

**Operating times**

Average time for Us control			
	in AC		
	Closing NO	min	ms 12
		max	ms 21
	Opening NO	min	ms 9
		max	ms 18
	Closing NC	min	ms 17
		max	ms 26
	Opening NC	min	ms 7
		max	ms 17
	in DC		
	Closing NO	min	ms 18
		max	ms 25
	Opening NO	min	ms 2
		max	ms 3
	Closing NC	min	ms 3
		max	ms 5
	Opening NC	min	ms 11
		max	ms 17

**UL technical data**

Full-load current (FLA) for three-phase AC motor			
	at 480V	A	4.8
	at 600V	A	3.9

Yielded mechanical performance			
	for single-phase AC motor		
		110/120V	HP 0.3
		230V	HP 1
	for three-phase AC motor		
		200/208V	HP 1.5
		220/230V	HP 2
		460/480V	HP 3
		575/600V	HP 3

General USE

Contactor

AC current A 16

Short-circuit protection fuse, 600V  
High fault

Short circuit current kA 100  
Fuse rating A 30  
Fuse class J

Standard fault

Short circuit current kA 5  
Fuse rating A 30

Contact rating of auxiliary contacts according to UL

A600 - Q600

Ambient conditions

Temperature

Operating temperature

min °C -50  
max °C +70

Storage temperature

min °C -60  
max °C +80

Max altitude

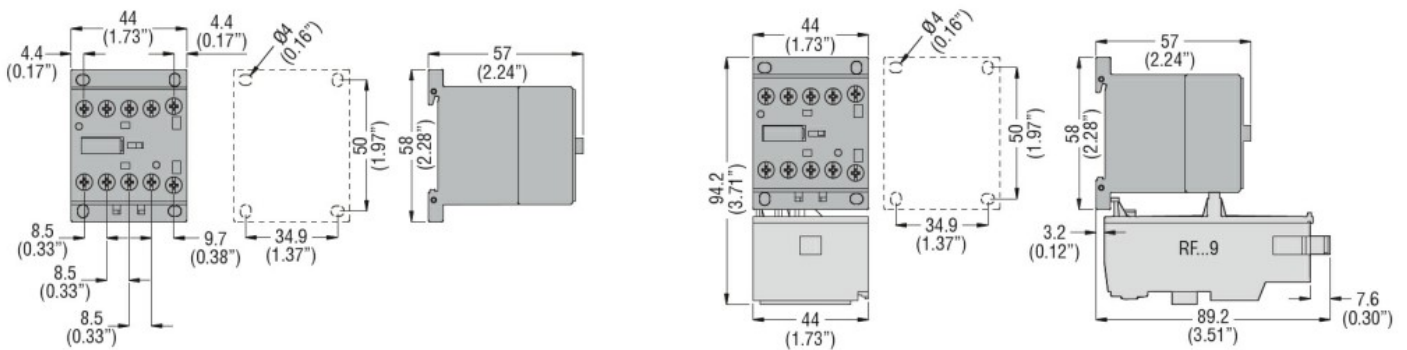
m 3000

Resistance & Protection

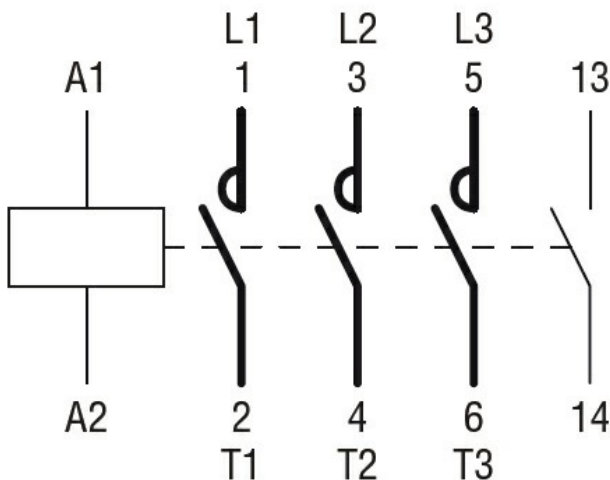
Pollution degree

3

Dimensions



Wiring diagrams



Certifications and compliance

Compliance

CSA C22.2 n° 60947-1

CSA C22.2 n° 60947-4-1

---

IEC/EN 60947-1

---

IEC/EN 60947-4-1

---

UL 60947-1

---

UL 60947-4-1

Certificates

---

CCC

---

cULus

---

EAC

ETIM classification

ETIM 8.0

EC000066 -  
Power contactor,  
AC switching