



|   |                                 |                 |                              |                     |
|---|---------------------------------|-----------------|------------------------------|---------------------|
| Product designation                                 |                                 |                 |                              | Auxiliary contactor |
| Product type designation                            |                                 |                 |                              | BG00                |
| <b>Contact characteristics</b>                      |                                 |                 |                              |                     |
| Number of poles                                     | Nr.                             |                 |                              | 4                   |
| Rated insulation voltage $U_i$ IEC/EN               | V                               |                 |                              | 690                 |
| Rated impulse withstand voltage $U_{imp}$           | kV                              |                 |                              | 6                   |
| Operational frequency                               | min                             | Hz              | 25                           |                     |
|   | max                             | Hz              | 400                          |                     |
| IEC Conventional free air thermal current $I_{th}$  | A                               |                 |                              | 10                  |
| Protection fuse                                     | gG (IEC)                        |                 | A                            | 16                  |
|   | Tightening torque for terminals |                 |                              |                     |
|   | min                             | Nm              | 0.8                          |                     |
|   | max                             | Nm              | 1                            |                     |
|   | min                             | lbin            | 9                            |                     |
|   | max                             | lbin            | 9                            |                     |
| Tightening torque for coil terminal                 | min                             | Nm              | 0.8                          |                     |
|   | max                             | Nm              | 1                            |                     |
|   | min                             | lbin            | 9                            |                     |
|   | max                             | lbin            | 9                            |                     |
| Max number of wires simultaneously connectable      | Nr.                             |                 |                              | 2                   |
| Conductor section                                   | AWG/Kcmil                       |                 |                              |                     |
|   |                                 |                 | max                          | 12                  |
| Flexible w/o lug conductor section                  | min                             | mm <sup>2</sup> | 0.8                          |                     |
|   | max                             | mm <sup>2</sup> | 2.5                          |                     |
| Flexible c/w lug conductor section                  | min                             | mm <sup>2</sup> | 1.5                          |                     |
|   | max                             | mm <sup>2</sup> | 2.5                          |                     |
| Flexible with insulated spade lug conductor section | min                             | mm <sup>2</sup> | 1.5                          |                     |
|   | max                             | mm <sup>2</sup> | 2.5                          |                     |
| Power terminal protection according to IEC/EN 60529 |                                 |                 |                              | IP20                |
| <b>Mechanical features</b>                          |                                 |                 |                              |                     |
| Operating position                                  | normal allowable                |                 | Vertical plan $\pm 30^\circ$ |                     |
|   |                                 |                 | Screw / DIN rail 35mm        |                     |
| Weight  |                                 |                 | g                            | 200                 |
| Conductor section                                   |                                 |                 |                              |                     |

AWG/kcmil conductor section

|  | max             | 12       |          |
|--|-----------------|----------|----------|
| <b>Auxiliary contact characteristics</b>           |                 |          |          |
| Thermal current I <sub>th</sub>                    | A               | 10       |          |
| IEC/EN 60947-5-1 designation                       | A600 - Q600     |          |          |
| Operating current AC15                             | 230V            | A        | 3        |
|  | 400V            | A        | 1.9      |
|  | 500V            | A        | 1.4      |
| Operating current DC12                             | 110V            | A        | 2.9      |
| Operating current DC13                             | 24V             | A        | 2.9      |
|  | 48V             | A        | 1.4      |
|  | 60V             | A        | 1.2      |
|  | 110V            | A        | 0.6      |
|  | 125V            | A        | 0.55     |
|  | 220V            | A        | 0.3      |
|  | 600V            | A        | 0.1      |
| <b>Operations</b>                                  |                 |          |          |
| Mechanical life                                    | cycles          | 20000000 |          |
| <b>Safety related data</b>                         |                 |          |          |
| Performance level B10d according to EN/ISO 13489-1 | mechanical load | cycles   | 20000000 |
| Mirror contacts according to IEC/EN 60947-4-1      | YES             |          |          |
| EMC compatibility                                  | YES             |          |          |
| <b>AC coil operating</b>                           |                 |          |          |
| Rated AC voltage at 50/60Hz                        | V               | 110      |          |
| AC operating voltage                               |                 |          |          |
| of 50/60Hz coil powered at 50Hz                    |                 |          |          |
| pick-up  | min             | %Us      | 75       |
|  | max             | %Us      | 115      |
| drop-out   | min             | %Us      | 20       |
|  | max             | %Us      | 55       |
| of 50/60Hz coil powered at 60Hz                    |                 |          |          |
| pick-up  | min             | %Us      | 80       |
|  | max             | %Us      | 115      |
| drop-out   | min             | %Us      | 20       |
|  | max             | %Us      | 55       |
| AC average coil consumption at 20°C                |                 |          |          |
| of 50/60Hz coil powered at 50Hz                    | in-rush         | VA       | 30       |
|  | holding         | VA       | 4        |
| of 50/60Hz coil powered at 60Hz                    | in-rush         | VA       | 25       |
|  | holding         | VA       | 3        |
| of 60Hz coil powered at 60Hz                       | in-rush         | VA       | 30       |
|  | holding         | VA       | 4        |

|                                   |          |       |
|-----------------------------------|----------|-------|
| Dissipation at holding ≤20°C 50Hz | W        | 0.9   |
| <b>Max cycles frequency</b>       |          |       |
| Mechanical operation              | cycles/h | 3600  |
| <b>Operating times</b>            |          |       |
| Average time for Us control       |          |       |
| in AC                             |          |       |
| Closing NO                        | min      | ms 12 |
|                                   | max      | ms 21 |
| Opening NO                        | min      | ms 9  |
|                                   | max      | ms 18 |
| Closing NC                        | min      | ms 17 |
|                                   | max      | ms 26 |
| Opening NC                        | min      | ms 7  |
|                                   | max      | ms 17 |
| in DC                             |          |       |
| Closing NO                        | min      | ms 18 |
|                                   | max      | ms 25 |
| Opening NO                        | min      | ms 2  |
|                                   | max      | ms 3  |
| Closing NC                        | min      | ms 3  |
|                                   | max      | ms 5  |
| Opening NC                        | min      | ms 11 |
|                                   | max      | ms 17 |

**UL technical data**

General USE

Contactor

AC current A 10

Contact rating of auxiliary contacts according to UL A600 - Q600

**Ambient conditions**

Temperature

Operating temperature

min °C -50  
max °C +70

Storage temperature

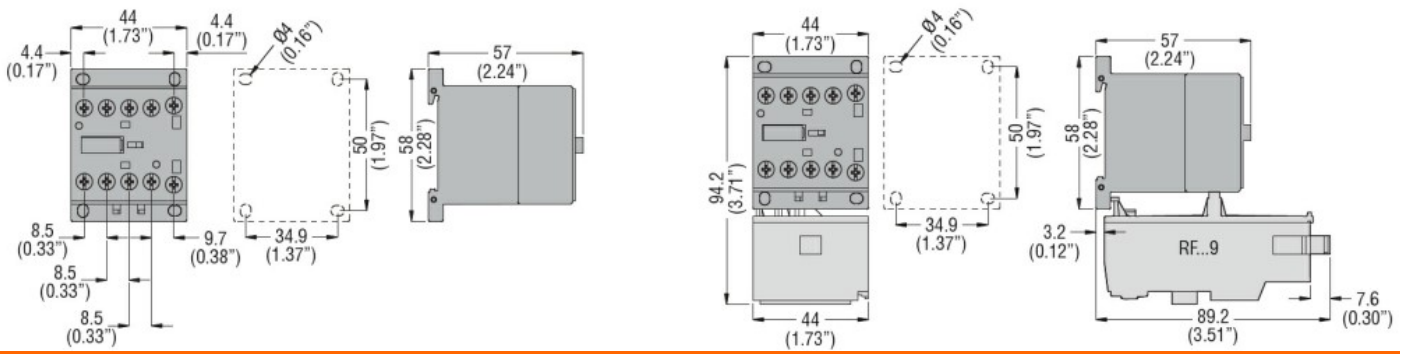
min °C -60  
max °C +80

Max altitude m 3000

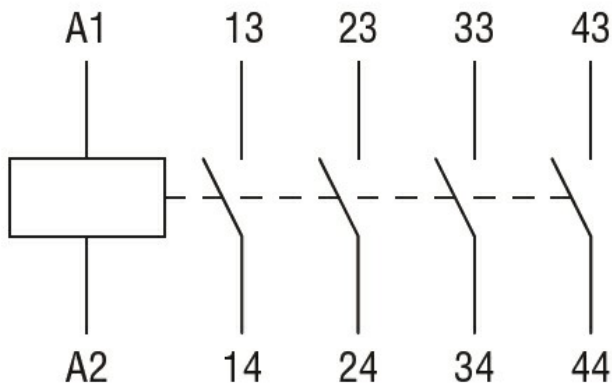
**Resistance & Protection**

Pollution degree 3

**Dimensions**



**Wiring diagrams**



**Certifications and compliance**

**Compliance**

- CSA C22.2 n° 60947-1
- CSA C22.2 n° 60947-5-1
- IEC/EN 60947-1
- IEC/EN 60947-5-1
- UL 60947-1
- UL 60947-5-1

**Certificates**

- CCC
- cULus
- EAC

**ETIM classification**

ETIM 8.0

EC000196 -  
Contactor relay