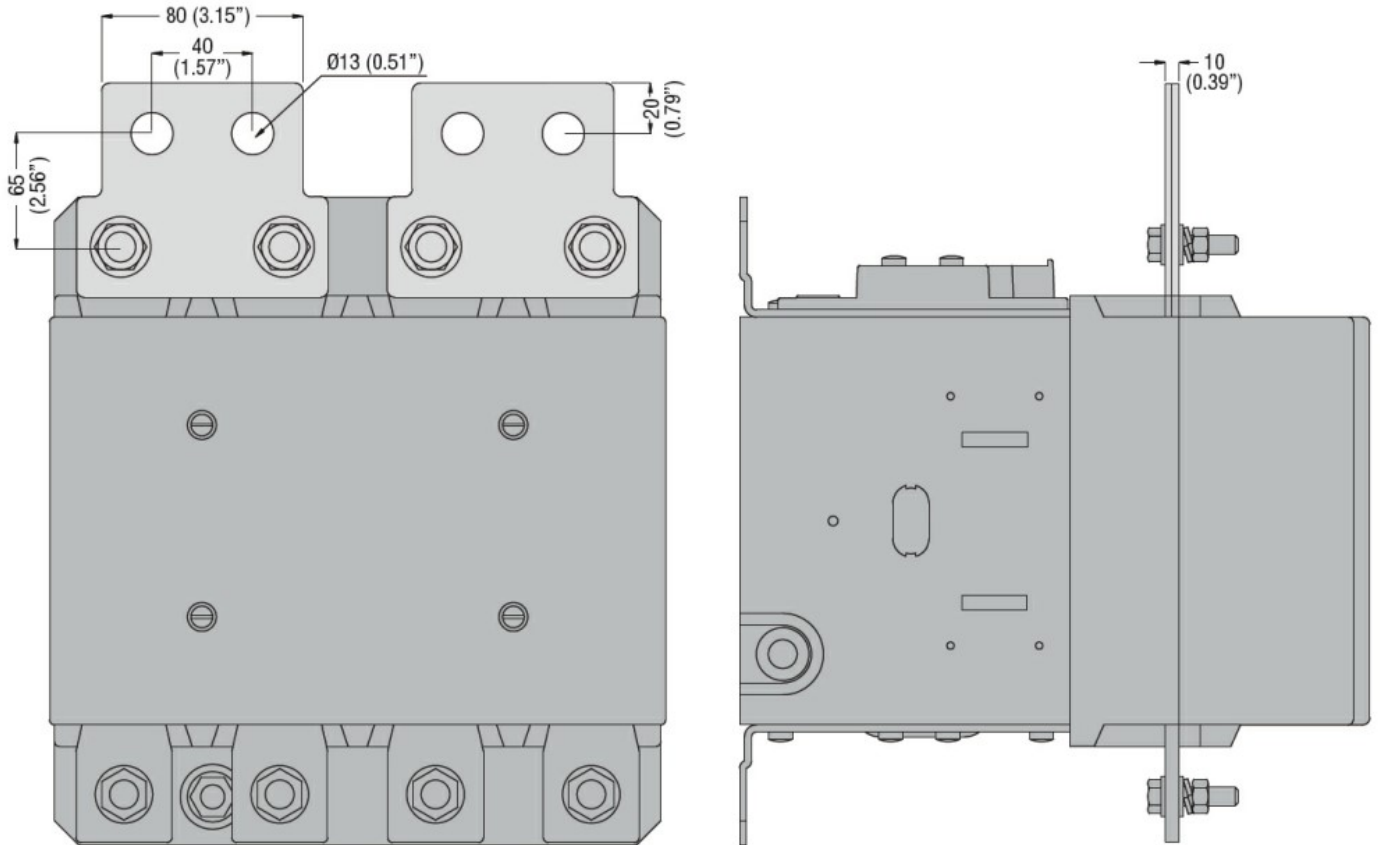




Dimensions



Certifications and compliance

Certificates

/

ETIM classification

ETIM 8.0

EC002498 -
 Accessories/spare
 parts for low-
 voltage switch
 technology