



Product designation	Power contactor		
Product type designation	B400		
Contact characteristics			
Number of poles	Nr.	3	
Rated insulation voltage U _i IEC/EN	V	1000	
Rated impulse withstand voltage U _{imp}	kV	8	
Operational frequency	min	Hz	25
	max	Hz	400
IEC Conventional free air thermal current I _{th}	A	550	
Operational current I _e	AC-1 (≤40°C)	A	550
	AC-1 (≤55°C)	A	430
	AC-1 (≤70°C)	A	360
	AC-3 (≤440V ≤55°C)	A	420
	AC-4 (400V)	A	200
Rated operational power AC-3 (T≤55°C)	400V	kW	225
	230V	kW	200
	400V	kW	345
	500V	kW	452
Rated operational power AC-1 (T≤40°C)	690V	kW	598
	75V	A	400
	110V	A	250
	220V	A	--
IEC max current I _e in DC1 with L/R ≤ 1ms with 1 poles in series	330V	A	--
	460V	A	--
	75V	A	400
	110V	A	400
IEC max current I _e in DC1 with L/R ≤ 1ms with 2 poles in series	220V	A	350
	330V	A	--
	460V	A	--
	75V	A	400
IEC max current I _e in DC1 with L/R ≤ 1ms with 3 poles in series	110V	A	400
	220V	A	400
	330V	A	350
	460V	A	--
IEC max current I _e in DC1 with L/R ≤ 1ms with 4 poles in series	75V	A	400
	110V	A	400
	220V	A	400

	330V	A	400
	460V	A	350
IEC max current I _e in DC3-DC5 with L/R ≤ 15ms with 1 poles in series			
	75V	A	350
	110V	A	200
	220V	A	--
	330V	A	--
	460V	A	--
IEC max current I _e in DC3-DC5 with L/R ≤ 15ms with 2 poles in series			
	75V	A	350
	110V	A	350
	220V	A	280
	330V	A	--
	460V	A	--
IEC max current I _e in DC3-DC5 with L/R ≤ 15ms with 3 poles in series			
	75V	A	350
	110V	A	350
	220V	A	350
	330V	A	280
	460V	A	--
IEC max current I _e in DC3-DC5 with L/R ≤ 15ms with 4 poles in series			
	75V	A	350
	110V	A	350
	220V	A	350
	330V	A	280
	460V	A	280
Short-time allowable current for 10s (IEC/EN60947-1)		A	3600
Protection fuse			
	gG (IEC)	A	630
	aM (IEC)	A	400
Making capacity (RMS value)		A	4200
Breaking capacity at voltage			
	440V	A	4000
	500V	A	3400
	690V	A	3360
Resistance per pole (average value)		mΩ	0.2
Power dissipation per pole (average value)			
	I _{th}	W	52
	AC-3	W	32
Tightening torque for terminals			
	min	Nm	35
	max	Nm	35
	min	I _{bin}	25.8
	max	I _{bin}	25.8
Tightening torque for coil terminal			
	min	Nm	1
	max	Nm	1
	min	I _{bin}	0.74
	max	I _{bin}	0.74
Max number of wires simultaneously connectable		Nr.	2
Conductor section			
	AWG/Kcmil		
	max	2x 300 kcmil	

Power terminal protection according to IEC/EN 60529				IP00
Mechanical features				
Operating position	normal allowable	Vertical plan ±30°		
Fixing				Screw
Weight				g 1024
Conductor section	AWG/kcmil conductor section	max	2x 300 kcmil	
Operations				
Mechanical life				cycles 10000000
Electrical life				cycles 700000
Safety related data				
Performance level B10d according to EN/ISO 13489-1	rated load mechanical load	cycles	cycles	700000 10000000
Mirror contacts according to IEC/EN 60947-4-1				yes
EMC compatibility				yes
AC coil operating				
Rated AC voltage at 50/60Hz, 60Hz	min	V	110	
	max	V	125	
AC operating voltage	of 50/60Hz coil powered at 50Hz			
	pick-up			
	min	%Us	80	
	max	%Us	110	
	drop-out			
	min	%Us	20	
	max	%Us	60	
	of 50/60Hz coil powered at 60Hz			
	pick-up			
	min	%Us	80	
	max	%Us	110	
	drop-out			
	min	%Us	20	
	max	%Us	60	
	of 60Hz coil powered at 60Hz			
	pick-up			
	min	%Us	80	
	max	%Us	110	
	drop-out			
	min	%Us	20	
	max	%Us	60	
AC average coil consumption at 20°C	of 50/60Hz coil powered at 50Hz			
	in-rush	VA	300	
	holding	VA	10	
	of 50/60Hz coil powered at 60Hz			
	in-rush	VA	300	
	holding	VA	10	
Dissipation at holding ≤20°C 50Hz				W 10

DC coil operating

DC rated control voltage

min	V	110
max	V	125

DC operating voltage

pick-up

min	%Us	80
max	%Us	110

drop-out

min	%Us	20
max	%Us	60

Average coil consumption $\leq 20^{\circ}\text{C}$

in-rush	W	300
holding	W	10

Max cycles frequency

Mechanical operation

cycles/h 2400

Operating times

Average time for Us control

in AC

Closing NO

min	ms	80
max	ms	120

Opening NO

min	ms	30
max	ms	75

in DC

Closing NO

min	ms	80
max	ms	120

Opening NO

min	ms	30
max	ms	75

UL technical data

Full-load current (FLA) for three-phase AC motor

at 480V	A	414
at 600V	A	382

Yielded mechanical performance

for three-phase AC motor

200/208V	HP	125
220/230V	HP	150
460/480V	HP	350
575/600V	HP	400

General USE

Contactor

AC current A 550

Short-circuit protection fuse, 600V

Standard fault

Short circuit current	kA	18
Fuse rating	A	800
Fuse class	L	

Ambient conditions

Temperature

Operating temperature

min	$^{\circ}\text{C}$	-50
-----	--------------------	-----

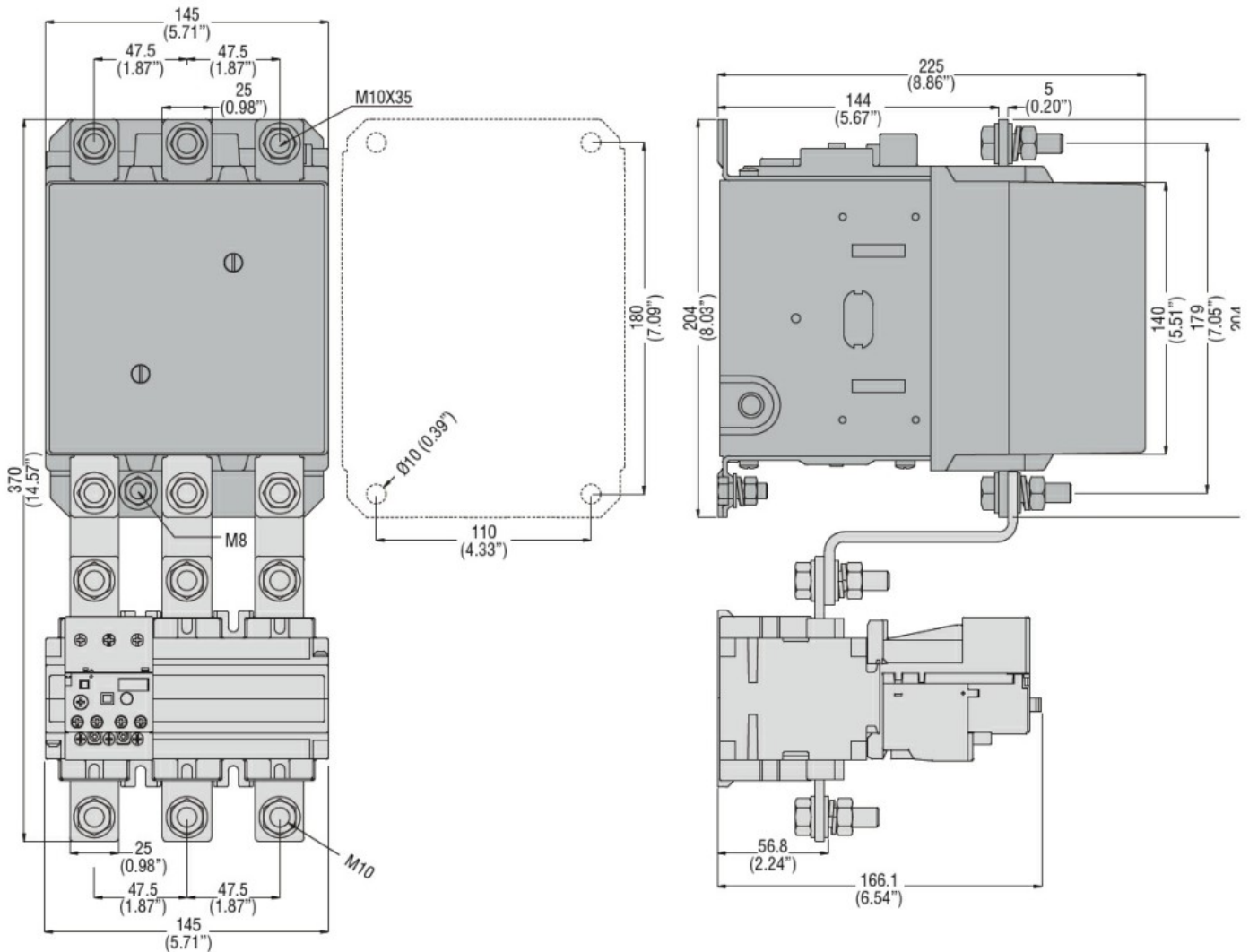
Storage temperature	max	°C	70
	min	°C	-60
Max altitude	max	°C	80
		m	3000

Resistance & Protection

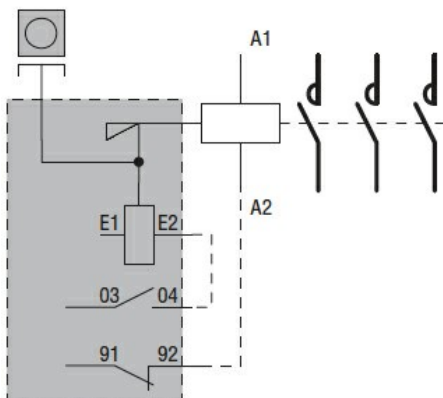
Pollution degree

3

Dimensions



Wiring diagrams



Certifications and compliance

Compliance

CSA C22.2 n° 60947-1

CSA C22.2 n° 60947-4-1

IEC/EN 60947-1

IEC/EN 60947-4-1

UL 60947-1

UL 60947-4-1

Certificates

CCC

cULus

EAC

ETIM classification

ETIM 8.0

EC000066 -
Power contactor,
AC switching