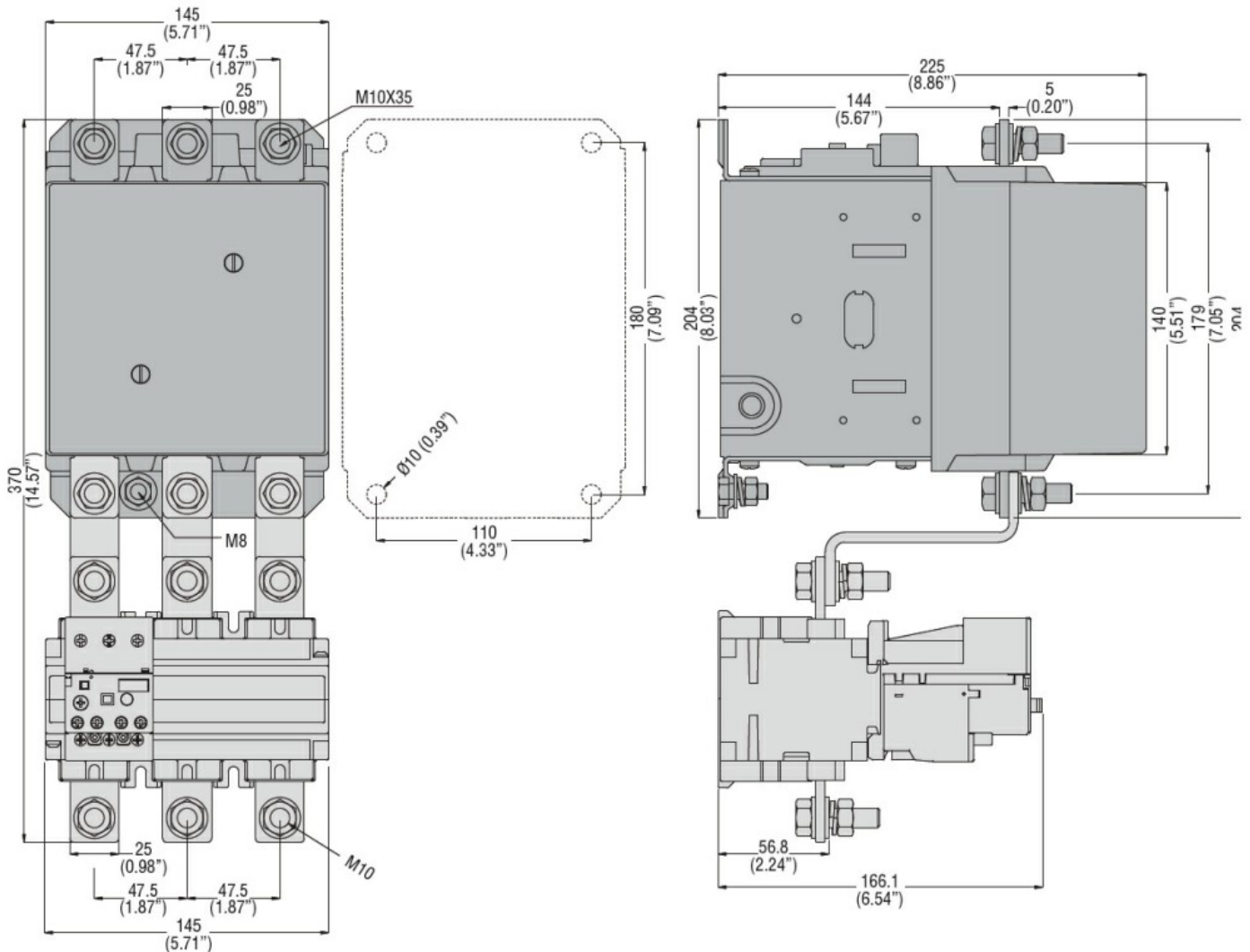




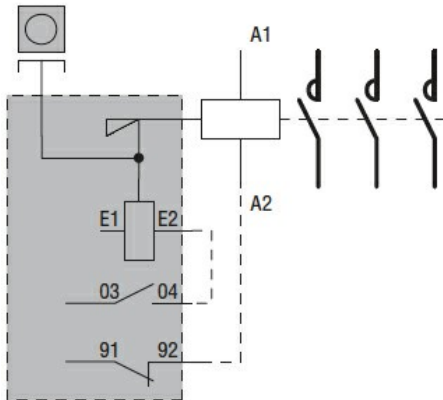
Contact characteristics

Number of poles	Nr.	3	
Operational current Ie			
	AC-4 (400V)	A	115
Rated operational power AC-3 (T≤55°C)			
	400V	kW	140
Making capacity (RMS value)		A	2750
Breaking capacity at voltage			
	440V	A	2500
	500V	A	2250
	690V	A	2200

Dimensions



Wiring diagrams



Certifications and compliance

Compliance

CSA C22.2 n° 60947-1

CSA C22.2 n° 60947-4-1

IEC/EN 60947-1

IEC/EN 60947-4-1

UL 60947-1

UL 60947-4-1

Certificates

CCC

cULus

EAC