



Product designation	Power contactor		
Product type designation	B250		
<b>Contact characteristics</b>			
Number of poles	Nr.	3	
Rated insulation voltage U <sub>i</sub> IEC/EN	V	1000	
Rated impulse withstand voltage U <sub>imp</sub>	kV	8	
Operational frequency	min	Hz	25
	max	Hz	400
IEC Conventional free air thermal current I <sub>th</sub>	A	350	
Operational current I <sub>e</sub>	AC-1 (≤40°C)	A	350
	AC-1 (≤55°C)	A	300
	AC-1 (≤70°C)	A	250
	AC-3 (≤440V ≤55°C)	A	265
	AC-4 (400V)	A	115
Rated operational power AC-3 (T≤55°C)	400V	kW	140
Rated operational power AC-1 (T≤40°C)	230V	kW	124
	400V	kW	214
	500V	kW	282
	690V	kW	380
IEC max current I <sub>e</sub> in DC1 with L/R ≤ 1ms with 1 poles in series	75V	A	350
	110V	A	160
	220V	A	--
	330V	A	--
	460V	A	--
IEC max current I <sub>e</sub> in DC1 with L/R ≤ 1ms with 2 poles in series	75V	A	350
	110V	A	300
	220V	A	250
	330V	A	--
	460V	A	--
IEC max current I <sub>e</sub> in DC1 with L/R ≤ 1ms with 3 poles in series	75V	A	350
	110V	A	300
	220V	A	300
	330V	A	250
	460V	A	--
IEC max current I <sub>e</sub> in DC1 with L/R ≤ 1ms with 4 poles in series	75V	A	350
	110V	A	300
	220V	A	300

	330V	A	300
	460V	A	250
IEC max current I <sub>e</sub> in DC3-DC5 with L/R ≤ 15ms with 1 poles in series			
	75V	A	280
	110V	A	150
	220V	A	--
	330V	A	--
	460V	A	--
IEC max current I <sub>e</sub> in DC3-DC5 with L/R ≤ 15ms with 2 poles in series			
	75V	A	280
	110V	A	250
	220V	A	200
	330V	A	--
	460V	A	--
IEC max current I <sub>e</sub> in DC3-DC5 with L/R ≤ 15ms with 3 poles in series			
	75V	A	280
	110V	A	280
	220V	A	250
	330V	A	200
	460V	A	--
IEC max current I <sub>e</sub> in DC3-DC5 with L/R ≤ 15ms with 4 poles in series			
	75V	A	280
	110V	A	280
	220V	A	280
	330V	A	200
	460V	A	200
Short-time allowable current for 10s (IEC/EN60947-1)		A	2200
Protection fuse			
	gG (IEC)	A	400
	aM (IEC)	A	250
Making capacity (RMS value)		A	2750
Breaking capacity at voltage			
	440V	A	2500
	500V	A	2250
	690V	A	2200
Resistance per pole (average value)		mΩ	0.2
Power dissipation per pole (average value)			
	I <sub>th</sub>	W	24.5
	AC-3	W	12.5
Tightening torque for terminals			
	min	Nm	35
	max	Nm	35
	min	I <sub>bin</sub>	25.8
	max	I <sub>bin</sub>	25.8
Tightening torque for coil terminal			
	min	Nm	1
	max	Nm	1
	min	I <sub>bin</sub>	0.74
	max	I <sub>bin</sub>	0.74
Max number of wires simultaneously connectable		Nr.	2
Conductor section			
	AWG/Kcmil		
	max		500 kcmil

Power terminal protection according to IEC/EN 60529				IP00
<b>Mechanical features</b>				
Operating position	normal allowable	Vertical plan ±30°		
Fixing				Screw
Weight				g 1028
Conductor section	AWG/kcmil conductor section	max	500 kcmil	
<b>Operations</b>				
Mechanical life				cycles 10000000
Electrical life				cycles 1000000
<b>Safety related data</b>				
Performance level B10d according to EN/ISO 13489-1	rated load mechanical load	cycles	1000000	
		cycles	10000000	
Mirror contacts according to IEC/EN 60947-4-1				yes
EMC compatibility				yes
<b>AC coil operating</b>				
Rated AC voltage at 50/60Hz, 60Hz	min	V	110	
	max	V	125	
AC operating voltage	of 50/60Hz coil powered at 50Hz			
	pick-up			
	min	%Us	80	
	max	%Us	110	
	drop-out			
	min	%Us	20	
	max	%Us	60	
	of 50/60Hz coil powered at 60Hz			
	pick-up			
	min	%Us	80	
	max	%Us	110	
	drop-out			
	min	%Us	20	
	max	%Us	60	
	of 60Hz coil powered at 60Hz			
	pick-up			
	min	%Us	80	
	max	%Us	110	
	drop-out			
	min	%Us	20	
	max	%Us	60	
AC average coil consumption at 20°C	of 50/60Hz coil powered at 50Hz			
	in-rush	VA	300	
	holding	VA	10	
	of 50/60Hz coil powered at 60Hz			
	in-rush	VA	300	
	holding	VA	10	
Dissipation at holding ≤20°C 50Hz				W 10

**DC coil operating**

DC rated control voltage

min	V	110
max	V	125

DC operating voltage

pick-up

min	%Us	80
max	%Us	110

drop-out

min	%Us	20
max	%Us	60

Average coil consumption  $\leq 20^{\circ}\text{C}$

in-rush	W	300
holding	W	10

**Max cycles frequency**

Mechanical operation

cycles/h 2400

**Operating times**

Average time for Us control

in AC

Closing NO

min	ms	80
max	ms	120

Opening NO

min	ms	30
max	ms	75

in DC

Closing NO

min	ms	80
max	ms	120

Opening NO

min	ms	30
max	ms	75

**UL technical data**

Full-load current (FLA) for three-phase AC motor

at 480V	A	240
at 600V	A	242

Yielded mechanical performance

for three-phase AC motor

200/208V	HP	75
220/230V	HP	100
575/600V	HP	250

General USE

Contactor

AC current A 350

Short-circuit protection fuse, 600V

Standard fault

Short circuit current	kA	18
Fuse rating	A	800
Fuse class	L	

**Ambient conditions**

Temperature

Operating temperature

min	$^{\circ}\text{C}$	-50
max	$^{\circ}\text{C}$	70

Storage temperature

min	°C	-60
max	°C	80

Max altitude

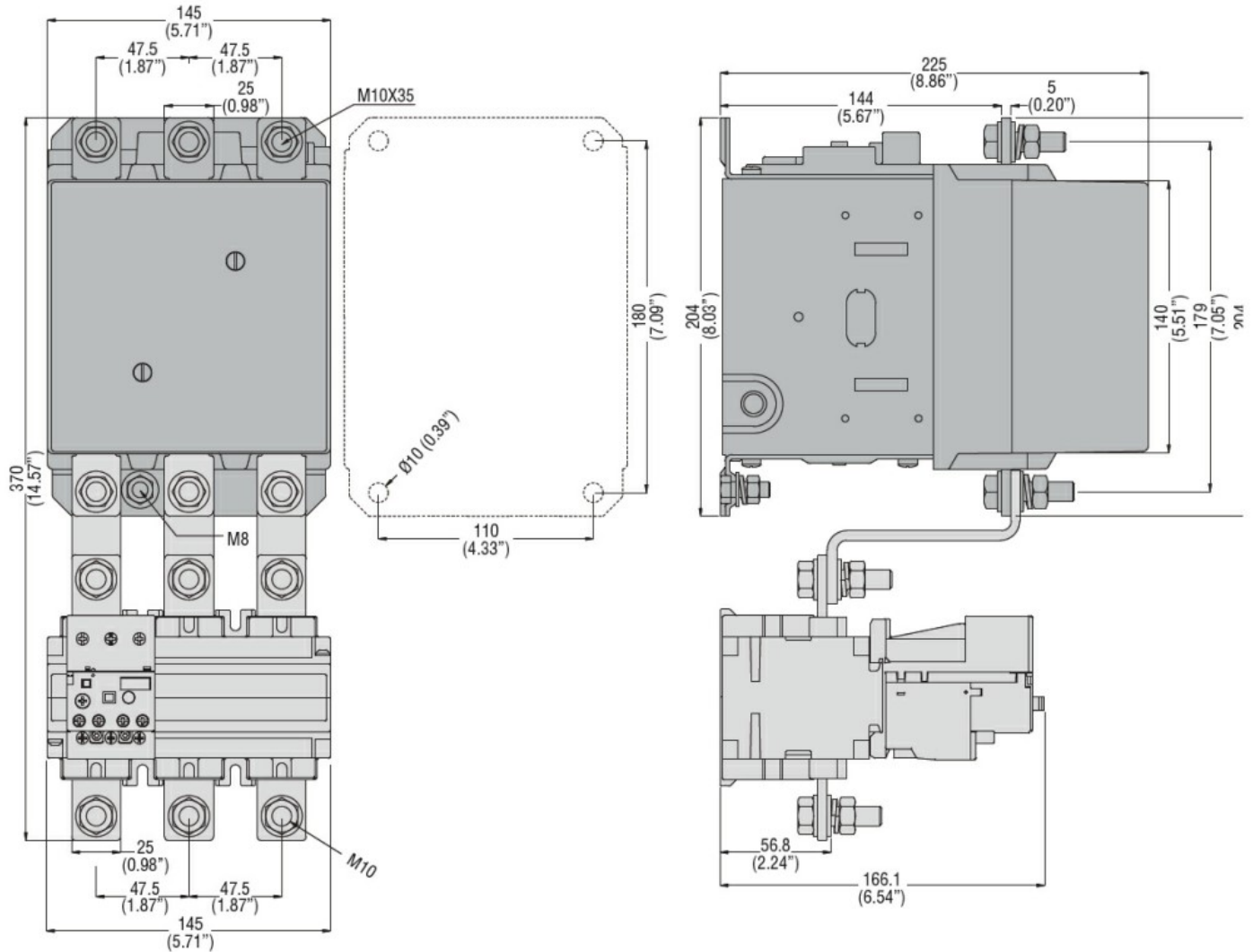
m 3000

Resistance & Protection

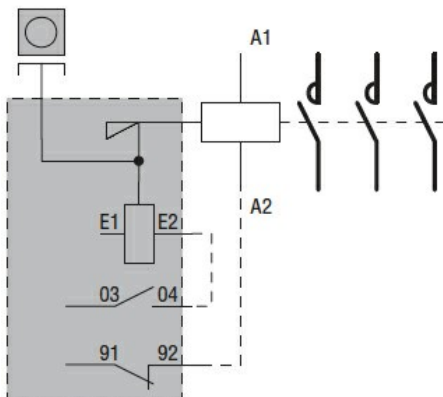
Pollution degree

3

Dimensions



Wiring diagrams



Certifications and compliance

Compliance

CSA C22.2 n° 60947-1

CSA C22.2 n° 60947-4-1

IEC/EN 60947-1

IEC/EN 60947-4-1

UL 60947-1

UL 60947-4-1

Certificates

CCC

cULus

EAC

ETIM classification

ETIM 8.0

EC000066 -  
Power contactor,  
AC switching