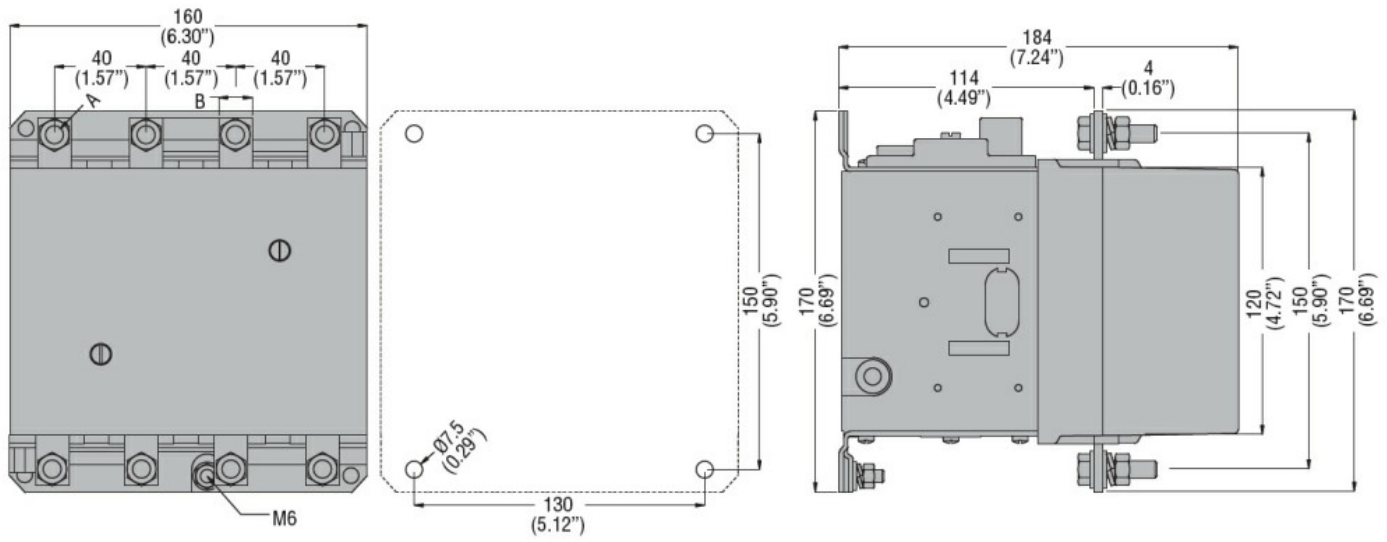




Contact characteristics

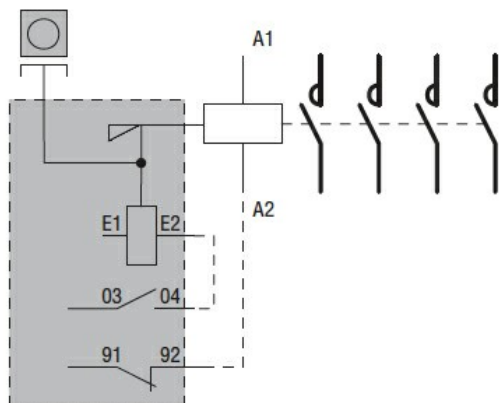
Number of poles	Nr.	4
Making capacity (RMS value)	A	1850
Breaking capacity at voltage		
	440V	A 1850
	500V	A 1600
	690V	A 1480

Dimensions



CONTACTOR TYPE	A	B
B115	M6	15 (0.59")
B145	M8	20 (0.79")
B180	M8	20 (0.79")

Wiring diagrams



Certifications and compliance

Compliance

CSA C22.2 n° 60947-1

CSA C22.2 n° 60947-4-1

IEC/EN 60947-1

IEC/EN 60947-4-1

UL 60947-1

UL 60947-4-1

Certificates

CCC

cULus

EAC