



Product designation				Power contactor
Product type designation				B115
Contact characteristics				
Number of poles	Nr.			4
Rated insulation voltage U _i IEC/EN	V			1000
Rated impulse withstand voltage U _{imp}	kV			8
Operational frequency	min	Hz	25	
	max	Hz	400	
IEC Conventional free air thermal current I _{th}	A			160
Operational current I _e	AC-1 (≤40°C)	A	160	
	AC-1 (≤55°C)	A	150	
	AC-1 (≤70°C)	A	110	
	AC-3 (≤440V ≤55°C)	A	110	
	AC-4 (400V)	A	47	
Rated operational power AC-1 (T≤40°C)	230V	kW	57	
	400V	kW	98	
	500V	kW	129	
	690V	kW	173	
IEC max current I _e in DC1 with L/R ≤ 1ms with 1 poles in series	75V	A	160	
	110V	A	100	
	220V	A	–	
	330V	A	–	
	460V	A	–	
IEC max current I _e in DC1 with L/R ≤ 1ms with 2 poles in series	75V	A	160	
	110V	A	130	
	220V	A	100	
	330V	A	–	
	460V	A	–	
IEC max current I _e in DC1 with L/R ≤ 1ms with 3 poles in series	75V	A	160	
	110V	A	130	
	220V	A	130	
	330V	A	100	
	460V	A	–	
IEC max current I _e in DC1 with L/R ≤ 1ms with 4 poles in series	75V	A	160	
	110V	A	130	
	220V	A	130	
	330V	A	130	
	460V	A	100	

IEC max current I_e in DC3-DC5 with L/R ≤ 15ms with 1 poles in series

75V	A	140
110V	A	70
220V	A	–
330V	A	–
460V	A	–

IEC max current I_e in DC3-DC5 with L/R ≤ 15ms with 2 poles in series

75V	A	140
110V	A	100
220V	A	80
330V	A	–
460V	A	–

IEC max current I_e in DC3-DC5 with L/R ≤ 15ms with 3 poles in series

75V	A	140
110V	A	120
220V	A	100
330V	A	80
460V	A	–

IEC max current I_e in DC3-DC5 with L/R ≤ 15ms with 4 poles in series

75V	A	140
110V	A	120
220V	A	120
330V	A	120
460V	A	80

Short-time allowable current for 10s (IEC/EN60947-1)

A	1100
---	------

Protection fuse

gG (IEC)	A	200
aM (IEC)	A	125

Making capacity (RMS value)

A	1300
---	------

Breaking capacity at voltage

440V	A	1300
500V	A	1100
690V	A	880

Resistance per pole (average value)

mΩ	0.3
----	-----

Power dissipation per pole (average value)

I _{th}	W	7.7
AC-3	W	4

Tightening torque for terminals

min	Nm	10
max	Nm	10
min	I _{bin}	7.4
max	I _{bin}	7.4

Max number of wires simultaneously connectable

Nr.	2
-----	---

Conductor section

AWG/Kcmil

max	2/0
-----	-----

Power terminal protection according to IEC/EN 60529

IP00

Mechanical features

Operating position

normal	Vertical plan
allowable	±30°

Fixing

Screw

Weight

g	6770
---	------

Conductor section

AWG/kcmil conductor section

max 2/0

Operations

Mechanical life cycles 10000000

Electrical life cycles 1100000

Safety related data

Performance level B10d according to EN/ISO 13489-1

rated load cycles 1100000
mechanical load cycles 10000000

Mirror contacts according to IEC/EN 60947-4-1 yes

EMC compatibility yes

AC coil operating

Rated AC voltage at 50/60Hz, 60Hz

min V 220
max V 240

AC operating voltage

of 50/60Hz coil powered at 50Hz
pick-up

min %Us 80
max %Us 110

drop-out

min %Us 20
max %Us 60

of 50/60Hz coil powered at 60Hz
pick-up

min %Us 80
max %Us 110

drop-out

min %Us 20
max %Us 60

of 60Hz coil powered at 60Hz
pick-up

min %Us 80
max %Us 110

drop-out

min %Us 20
max %Us 60

AC average coil consumption at 20°C

of 50/60Hz coil powered at 50Hz

in-rush VA 300
holding VA 10

of 50/60Hz coil powered at 60Hz

in-rush VA 300
holding VA 10

Dissipation at holding ≤20°C 50Hz

W 10

DC coil operating

DC rated control voltage

min V 220
max V 240

DC operating voltage

pick-up

min %Us 80
max %Us 110

drop-out

min	%Us	20
max	%Us	60

Average coil consumption $\leq 20^{\circ}\text{C}$

in-rush	W	300
holding	W	10

Max cycles frequency

Mechanical operation cycles/h 2400

Operating times

Average time for Us control

in AC

Closing NO

min	ms	60
max	ms	100

Opening NO

min	ms	25
max	ms	60

in DC

Closing NO

min	ms	60
max	ms	100

Opening NO

min	ms	25
max	ms	60

UL technical data

Full-load current (FLA) for three-phase AC motor

at 480V	A	96
at 600V	A	99

Yielded mechanical performance

for three-phase AC motor

200/208V	HP	30
220/230V	HP	40
575/600V	HP	100

General USE

Contactor

AC current	A	160
------------	---	-----

Short-circuit protection fuse, 600V

Standard fault

Short circuit current	kA	5
Fuse rating	A	500
Fuse class		RK5

Ambient conditions

Temperature

Operating temperature

min	$^{\circ}\text{C}$	-50
max	$^{\circ}\text{C}$	70

Storage temperature

min	$^{\circ}\text{C}$	-60
max	$^{\circ}\text{C}$	80

Max altitude

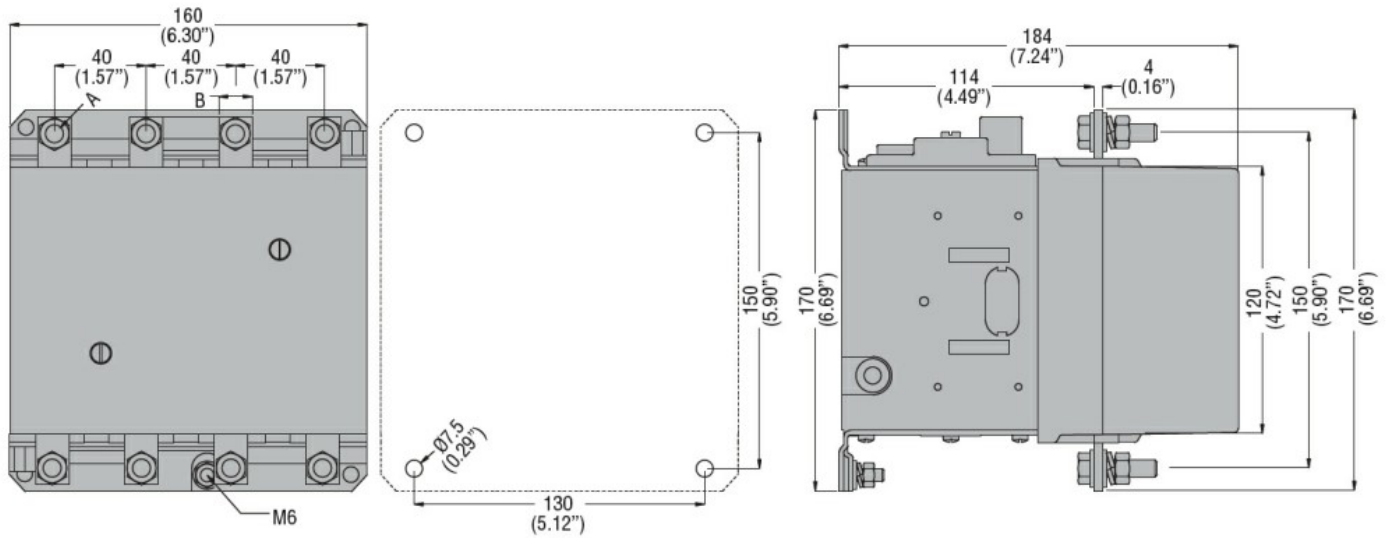
m	3000
---	------

Resistance & Protection

Pollution degree

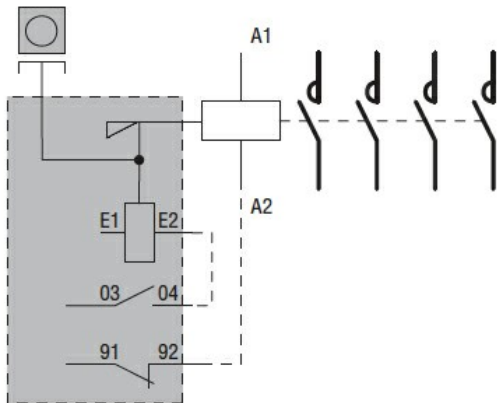
3

Dimensions



CONTACTOR TYPE	A	B
B115	M6	15 (0.59")
B145	M8	20 (0.79")
B180	M8	20 (0.79")

Wiring diagrams



Certifications and compliance

Compliance

CSA C22.2 n° 60947-1

CSA C22.2 n° 60947-4-1

IEC/EN 60947-1

IEC/EN 60947-4-1

UL 60947-1

UL 60947-4-1

Certificates

CCC

cULus

EAC

ETIM classification

ETIM 8.0

EC000066 -
Power contactor,
AC switching