



Product designation

Gateway data logger

Product type designation

EXCGLB

General characteristics

Description

Gateway data logger for data collecting via Modbus from the devices in the field. Publishing of the data to supervision software, also in Cloud

Functions

Data logger

Rated power supply voltage

12-24VDC

Monitoring method

Transmission technology

4G

Connectivity with Synergy and Xpress

Yes (Only Synergy)

Device setup and supervision

Yes (only supervision)

Local memory

Yes

Support for multiple devices

Yes, with RS485 or/and Ethernet

Device compatibility

Devices with RS485 or Ethernet and modbus slave role, third party ones included

Interface

RS232 communication

0

RS485 communication

1

Ethernet communication

1

Mechanical features

Weight

g 190

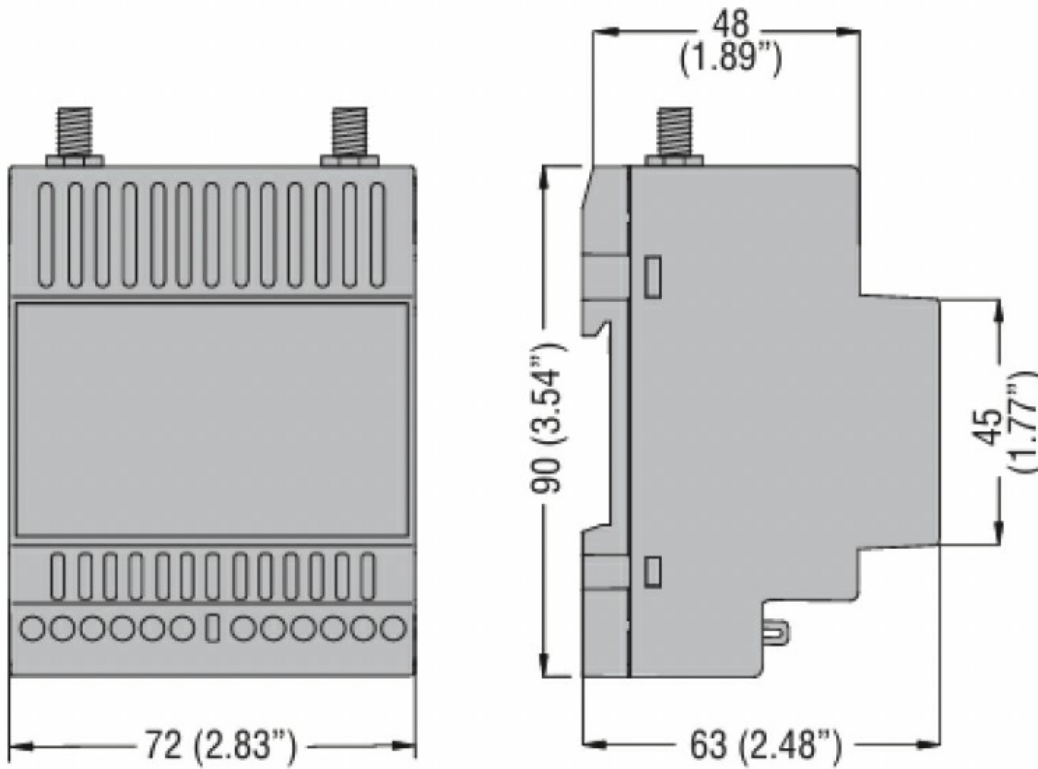
Ambient conditions

Temperature

Operating temperature

min °C -20
max °C +60

Dimensions



Certifications and compliance

Certifications

EN/BS 60950-1

Compliance

CE
 RED

ETIM classification

EC000066 - Power contactor, AC switching