



Automatic transfer switch controller for 2 power sources and one tie-breaker, three phase control, with LCD display, built-in RS485, expandable ATL800

Product designation

Product type designation

**General characteristics**

Number of controlled power sources	Nr.	2
Number of tie-breaker controlled	Nr.	1
Display		Backlit LCD graphic display 128x80 pixel
Languages	Nr.	8
Expandability		3 expansion slot for EXP... Modules

**AC Power supply**

Rated supply voltage AC	VAC	110...240
Operating supply voltage range AC	VAC	90...264
Rated frequency	Hz	50/60
Operating frequency range	Hz	45...66

Immunity time for microbreakings	110VAC	ms	≤40
	220VAC	ms	≤200

Immunity time for microbreakings (with EXP expansions)	110VAC	ms	≤20
	220VAC	ms	≤100

Power consumption AC (Max)	VA	12.5
----------------------------	----	------

**DC Power supply**

Rated supply voltage DC	VDC	12-24-48
Operating supply voltage range DC	VDC	7.5...57.6

Current consumption Max	mA	400mA at 12VDC, 220mA at 24VDC, 100mA at 48VDC
-------------------------	----	--

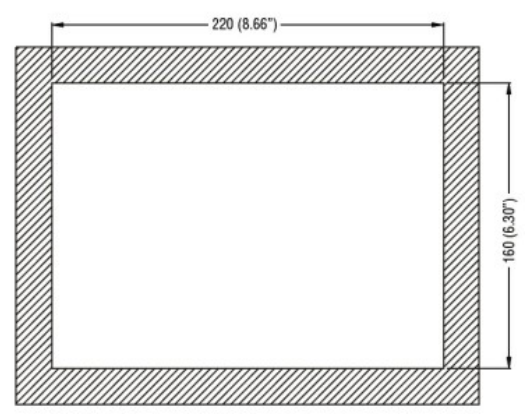
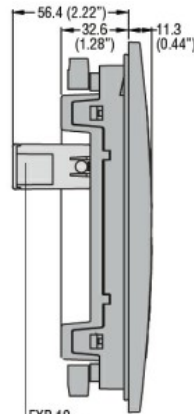
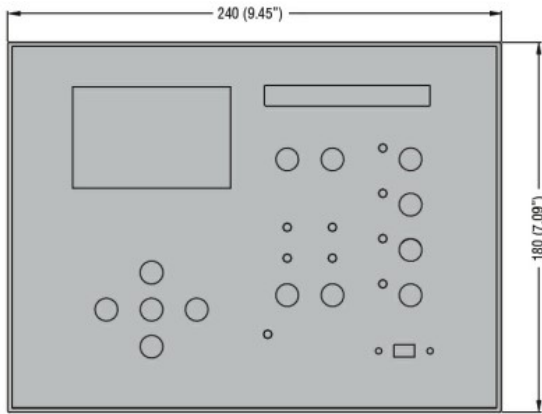
Maximum power consumption / dissipation	W	4.8
---	---	-----

**Voltage inputs**

Maximum rated voltage Ue		100...600VAC L-L (346VAC L-N)
Measurement range	V	50...720VAC L-L (415VAC L-N)
Frequency range	Hz	45...66

Measurement method		True root mean square (TRMS)
Input impedance	phase-phase phase-neutral	>1.10MΩ >0.55MΩ
Measuring accuracy		±0.25% f.s. ±1 digit
Wiring mode		Single-phase, two-phase, three-phase line with or without neutral and balanced three-phase system
<b>Digital inputs</b>		
Number of digital input	Nr.	8
Type of digital input		Negative
Digital current inputs	mA	≤8
Low input signal	VDC	≤2.2
High input signal	VDC	≥3.4
Input signal delay	ms	≥50
<b>Calendar clock</b>		
Backup reserve power		Backup capacitor
Operating without power voltage		14 days approximately
<b>Relay outputs</b>		
Number of relay output	Nr.	7
Contact arrangement		4 x 1NO-SPST + 3 x C/O-SPDT
Electrical life	cycles	10 <sup>5</sup>
Mechanical life	cycles	10 <sup>7</sup>
<b>Interface</b>		
NFC interf.		Yes
Front optical USB communication port		Yes, with CX01 USB dongle (optional)
Front optical Wi-Fi communication port		Yes, with CX02 Wi-Fi dongle (optional)
USB communication		EXP1010 (optional)
RS232 communication		EXP1011 (optional)
RS485 communication		Built-in or EXP1012 (optional)
Ethernet communication		EXP1013 (optional)
Profibus communication		EXP1014 (optional)
Communication via Modem		EXP1015 (optional)
<b>Functions</b>		
Number of tie breakers that can be managed		1
Programmable source type		Yes

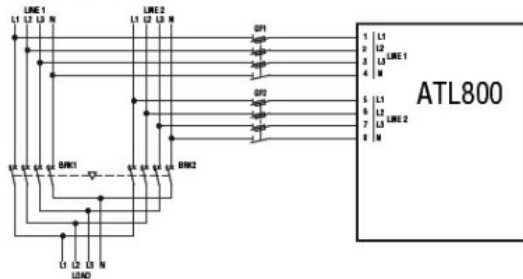
Closed transition	Yes
Non-priority load management	Yes
PLC logic	Yes
Timer	Yes
System layout available on display	6
Custom system layouts	Yes
User alarms	Yes
Limits	Yes
Event logging	250
Real time clock with backup reserve energy	Yes
Acoustic alarms	Yes
Analogue inputs	EXP1004 (optional)
Analogue outputs	EXP1005 (optional)
<b>Ambient conditions</b>	
Temperature	
Operating temperature	
min	°C -30
max	°C +70
Storage temperature	
min	°C -30
max	°C +80
Relative humidity	% <80%
Maximum Pollution degree	2
Overvoltage category	3
Measurement category	III
Climatic sequence	Z/ABDM (IEC/EN 60068-2-61)
Shock resistance	15g (IEC/EN 60068-2-27)
Vibration resistance	0.7g (IEC/EN 60058-2-6)
<b>Housing</b>	
Execution	Flush mount
Material	Polycarbonate
Mounting	Flush mount - panel cut-out 220x160 mm
Degree of protection	IP65 on front, IP20 on terminals
Dimensions (W x H x D)	mm 240 x 180 x 43.9
Weight	g 1000
<b>Dimensions</b>	



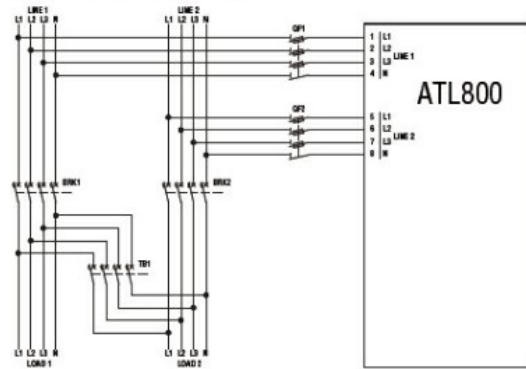
EXP 10...  
(2max)

**Wiring diagrams**

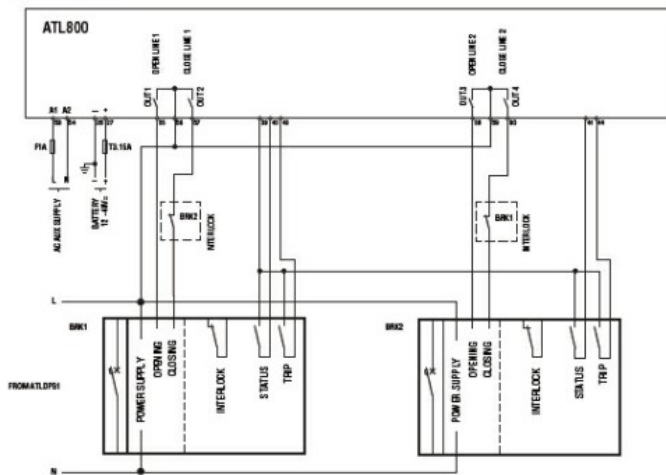
Power connection diagrams  
Two breakers



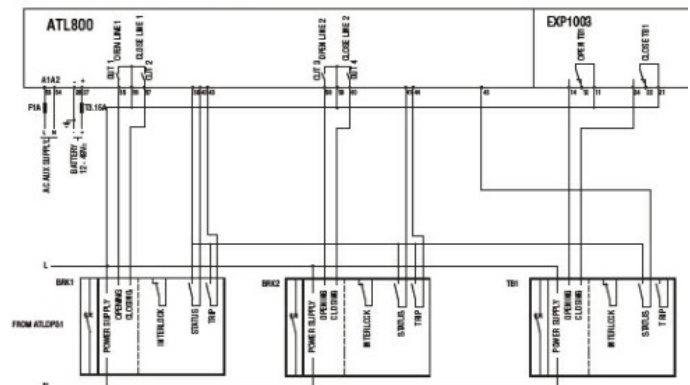
Power connection diagrams  
Two breakers and a tie breaker



Control connection diagrams  
Two breakers



Control connection diagrams  
Two breakers and a tie breaker



**Certifications and compliance**

Compliance

- CSA C22.2 n° 14
- IEC/EN 60947-1
- IEC/EN 60947-6-1
- IEC/EN 61000-6-2
- IEC/EN 61000-6-4
- IEC/EN 61010-1
- IEC/EN 61010-2
- UL508

---

Certificates

cULus

---

EAC

---

RCM

**ETIM classification**

ETIM 8.0

EC000236 - PLC  
CPU-module