



Automatic transfer switch controller for 2 power sources, three phase control, with LCD display, 110...240VAC supply and 12-24VDC, expandable ATL610

Product designation

Product type designation

General characteristics

Number of controlled power sources	Nr.	2
Display		Backlit LCD graphic display 128x80 pixel
Languages	Nr.	5
Expandability		2 expansion slot for EXP... Modules

AC Power supply

Rated supply voltage AC	VAC	110...240	
Operating supply voltage range AC	VAC	90...264	
Rated frequency	Hz	50/60	
Operating frequency range	Hz	45...66	
Immunity time for microbreakings	110VAC	ms	≤50
	220VAC	ms	≤250
Immunity time for microbreakings (with EXP expansions)	110VAC	ms	≤25
	220VAC	ms	≤120
Power consumption AC (Max)	VA	9.5	

DC Power supply

Rated supply voltage DC	VDC	12-24
Operating supply voltage range DC	VDC	7.5...33
Current consumption Max	mA	230mA at 12VDC, 120mA at 24VDC
Maximum power consumption / dissipation	W	2.9

Voltage inputs

Maximum rated voltage Ue		100...480VAC L-L (277VAC L-N)
Measurement range	V	50...576VAC L-L (333VAC L-N)
Frequency range	Hz	45...65
Measurement method		True root mean square (TRMS)

Input impedance	phase-phase phase-neutral	>1.0MΩ >0.5MΩ
Measuring accuracy		±0.25% f.s. ±1 digit
Wiring mode		Single-phase, two-phase, three- phase line with or without neutral and balanced three-phase system
Digital inputs		
Number of digital input	Nr.	6
Type of digital input		Negative
Digital current inputs	mA	≤8
Low input signal	VDC	≤2.2
High input signal	VDC	≥3.4
Input signal delay	ms	≥50
Calendar clock		
Backup reserve power		Backup capacitor
Operating without power voltage		5 min approximately
Relay outputs		
Number of relay output	Nr.	7
Contact arrangement		6 x 1NO-SPST + 1 x C/O-SPDT
Electrical life	cycles	10 ⁵
Mechanical life	cycles	10 ⁷
Interface		
Front optical USB communication port		Yes, with CX01 USB dongle (optional)
Front optical Wi-Fi communication port		Yes, with CX02 Wi-Fi dongle (optional)
USB communication		EXP1010 (optional)
RS232 communication		EXP1011 (optional)
RS485 communication		EXP1012 (optional)
Ethernet communication		EXP1013 (optional)
Profibus communication		EXP1014 (optional)
Functions		
Programmable source type		Single-phase, two-phase, three- phase with or without neutral
User alarms		Yes
Limits		Yes
Event logging		100
Real time clock with backup reserve energy		Yes

Ambient conditions

Temperature

Operating temperature

min	°C	-30
max	°C	+70

Storage temperature

min	°C	-30
max	°C	+80

Relative humidity

% <80%

Maximum Pollution degree

2

Overvoltage category

3

Measurement category

III

Climatic sequence

Z/ABDM (IEC/EN 60068-2-61)

Shock resistance

15g (IEC/EN 60068-2-27)

Vibration resistance

0.7g (IEC/EN 60068-2-6)

Housing

Execution

Flush mount

Material

Polycarbonate

Mounting

Flush mount - panel cut-out 138x138 mm

Degree of protection

IP40 on front, IP65 with optional gasket code EXP8001, IP20 on terminals

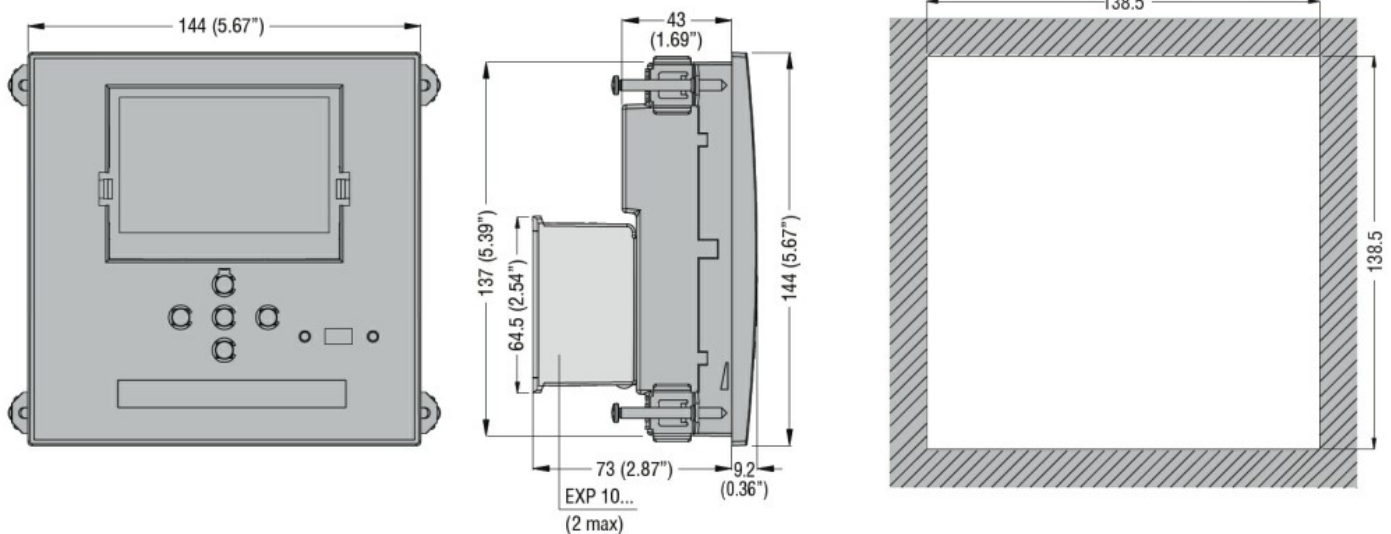
Dimensions (W x H x D)

mm 144 x 144 x 52.2

Weight

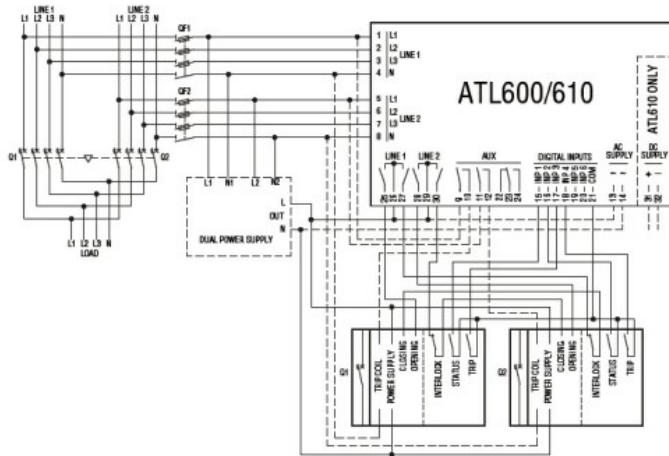
g 680

Dimensions

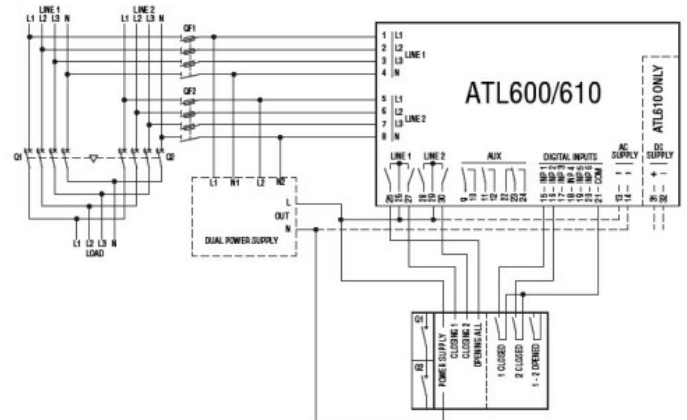


Wiring diagrams

Connection diagrams
Motorised breaker control



Connection diagrams
Motorised changeover switches control



Certifications and compliance

Compliance

CSA C22.2 n°14
IEC/EN 60947-1
IEC/EN 60947-6-1
IEC/EN 61000-6-2
IEC/EN 61000-6-3
UL508

Certificates

cULus
EAC
RCM

ETIM classification

ETIM 8.0

EC000236 - PLC
CPU-module