



Automatic transfer switch controller for 2 power sources, three phase control, with LCD display, 110...240VAC supply  
**ATL600**

Product designation

Product type designation

**General characteristics**

Number of controlled power sources	Nr.	2
Display		Backlit LCD graphic display 128x80 pixel
Languages	Nr.	5
Expandability		No
<b>AC Power supply</b>		
Rated supply voltage AC	VAC	110...240
Operating supply voltage range AC	VAC	90...264
Rated frequency	Hz	50/60
Operating frequency range	Hz	45...66
Immunity time for microbreakings		
	110VAC	ms ≤50
	220VAC	ms ≤250
Power consumption AC (Max)	VA	9.5

**Voltage inputs**

Maximum rated voltage Ue		100...480VAC L-L (277VAC L-N)
Measurement range	V	50...576VAC L-L (333VAC L-N)
Frequency range	Hz	45...65
Measurement method		True root mean square (TRMS)
Input impedance		
	phase-phase	>1.0MΩ
	phase-neutral	>0.5MΩ
Measuring accuracy		±0.25% f.s. ±1 digit

Wiring mode

Single-phase, two-phase, three-phase line with or without neutral and balanced three-phase system

**Digital inputs**

Number of digital input	Nr.	6
-------------------------	-----	---

Type of digital input				Negative
Digital current inputs	mA			<8
Low input signal	VDC			≤2.2
High input signal	VDC			≥3.4
Input signal delay	ms			≥50
<b>Relay outputs</b>				
Number of relay output	Nr.			7
Contact arrangement				6 x 1NO-SPST + 1 x C/O-SPDT
Electrical life	cycles			10 <sup>5</sup>
Mechanical life	cycles			10 <sup>7</sup>
<b>Interface</b>				
Front optical USB communication port				Yes, with CX01 USB dongle (optional)
Front optical Wi-Fi communication port				Yes, with CX02 Wi-Fi dongle (optional)
<b>Functions</b>				
Programmable source type				Single-phase, two-phase, three- phase with or without neutral
User alarms				Yes
Limits				Yes
Event logging				100
<b>Ambient conditions</b>				
Temperature	Operating temperature			
	min	°C	-30	
	max	°C	+70	
	Storage temperature			
	min	°C	-30	
	max	°C	+80	
Relative humidity				% <80%
Maximum Pollution degree				2
Overvoltage category				3
Measurement category				III
Climatic sequence				Z/ABDM (IEC/EN 60068-2-61)
Shock resistance				15g (IEC/EN 60068-2-27)
Vibration resistance				0.7g (IEC/EN 60068-2-6)
<b>Housing</b>				
Execution				Flush mount
Material				Polycarbonate
Mounting				Flush mount - panel cut-out 138x138 mm
Degree of protection				IP40 on front, IP65 with optional gasket code EXP8001, IP20 on terminals

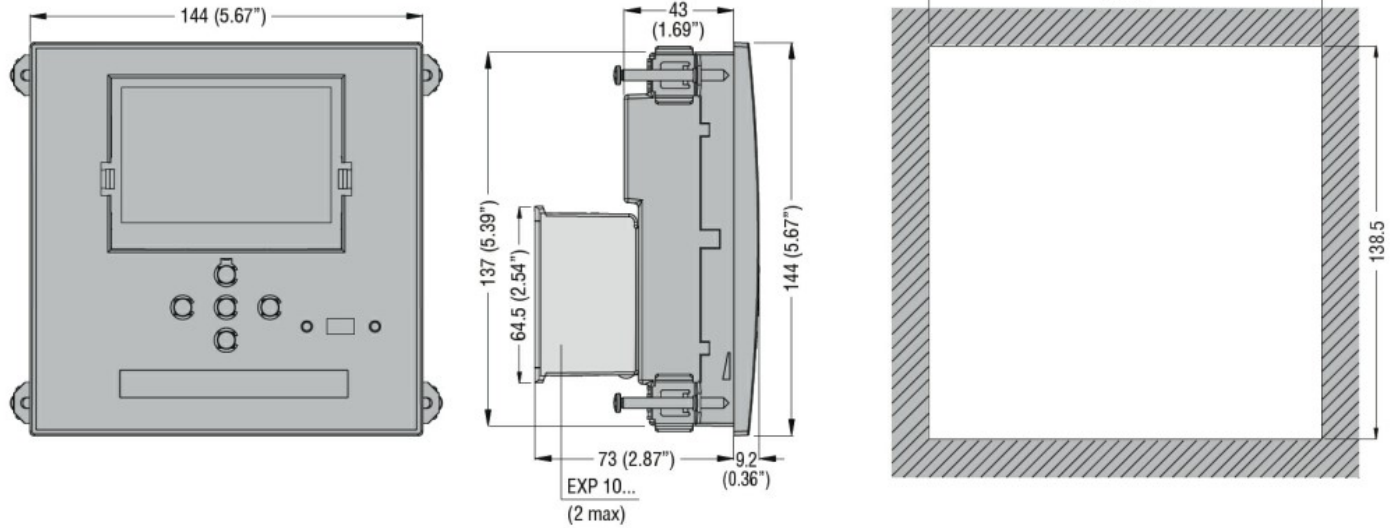
Dimensions (W x H x D)

mm 144 x 144 x 52.2mm

Weight

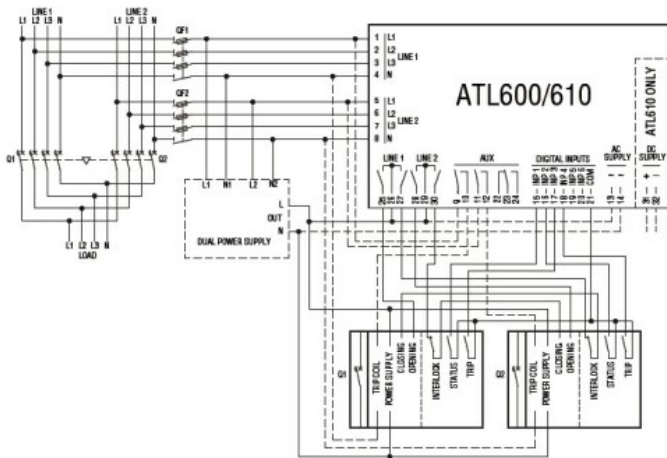
g 600

**Dimensions**

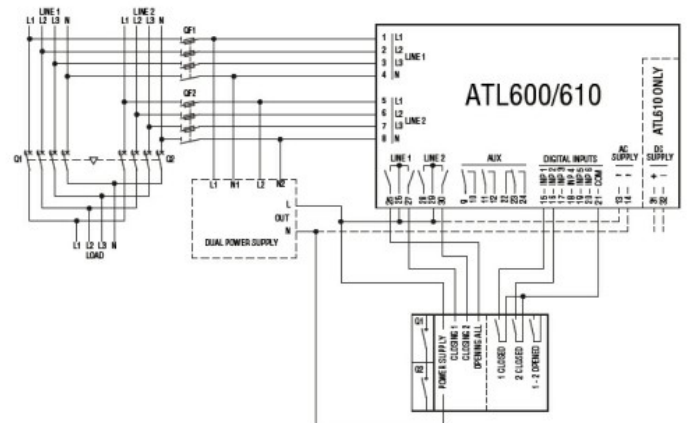


**Wiring diagrams**

Connection diagrams  
Motorised breaker control



Connection diagrams  
Motorised changeover switches control



**Certifications and compliance**

Compliance

- CSA C22.2 n°14
- IEC/EN 60947-1
- IEC/EN 60947-6-1
- IEC/EN 61000-6-2
- IEC/EN 61000-6-3
- UL508

Certificates

- cULus
- EAC
- RCM

**ETIM classification**

ETIM 8.0

EC000236 - PLC  
CPU-module