



Automatic transfer switch controller for 2 power sources, self-powered, three phase control, with NFC and synoptic ATL500

Product designation

Product type designation

General characteristics

| | | |
|------------------------------------|-----|----|
| Number of controlled power sources | Nr. | 2 |
| Display | | No |
| Expandability | | No |

AC Power supply

| | | |
|-----------------------------------|--------|-----------------|
| Rated supply voltage AC | VAC | 110...240 |
| Operating supply voltage range AC | VAC | 90...300VAC L-N |
| Rated frequency | Hz | 50/60 |
| Operating frequency range | Hz | 45...66 |
| Immunity time for microbreakings | | |
| | 110VAC | ms ≤200 |
| | 220VAC | ms ≤400 |
| Power consumption AC (Max) | VA | 3.7 |

Voltage inputs

| | | |
|--------------------------|---------------|---------------------------------------|
| Maximum rated voltage Ue | | 415VAC L-L (240VAC L-N) |
| Measurement range | V | 155...519VAC L-L (90...300VAC L-N) |
| Frequency range | Hz | 45...66 |
| Measurement method | | True root mean square (TRMS) |
| Input impedance | | |
| | phase-phase | >1.0MΩ |
| | phase-neutral | >0.5MΩ |
| Measuring accuracy | | ±0.25% f.s. |

Wiring mode

Single-phase, two-phase, three-phase with neutral system

Digital inputs

| | | |
|-------------------------|-----|----------|
| Number of digital input | Nr. | 2 |
| Type of digital input | | Negative |
| Digital current inputs | mA | ≤5mA |
| Low input signal | VDC | ≤2.6V |
| High input signal | VDC | ≥3.1V |
| Input signal delay | ms | ≥50 |

Relay outputs

| | | |
|------------------------|--------|---|
| Number of relay output | Nr. | 3 |
| Contact arrangement | | 2 x 1NO-SPST (OUT1, OUT2) + 1 x C/O-SPDT (OUT3) |
| Electrical life | cycles | 10 ⁵ |
| Mechanical life | cycles | 10 ⁷ |

Interface

| | |
|-------------|-----|
| NFC interf. | Yes |
|-------------|-----|

Functions

| | |
|--------------------------|---|
| Programmable source type | Single-phase, two-phase, three-phase with neutral |
|--------------------------|---|

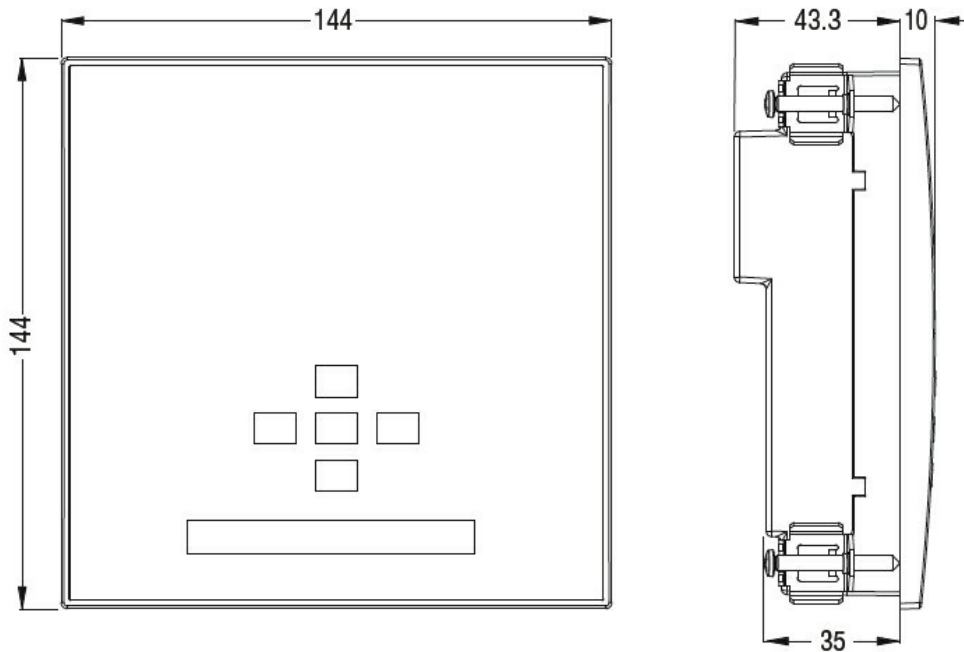
Ambient conditions

| | | | |
|--------------------------|-----|----|----------------------------|
| Temperature | | | |
| Operating temperature | | | |
| | min | °C | -30 |
| | max | °C | +70 |
| Storage temperature | | | |
| | min | °C | -30 |
| | max | °C | +80 |
| Relative humidity | | % | <80% |
| Maximum Pollution degree | | | 2 |
| Overvoltage category | | | 3 |
| Measurement category | | | III |
| Climatic sequence | | | Z/ABDM (IEC/EN 60068-2-61) |
| Shock resistance | | | 15g (IEC/EN 60068-2-27) |
| Vibration resistance | | | 0.7g (IEC/EN 60068-2-6) |

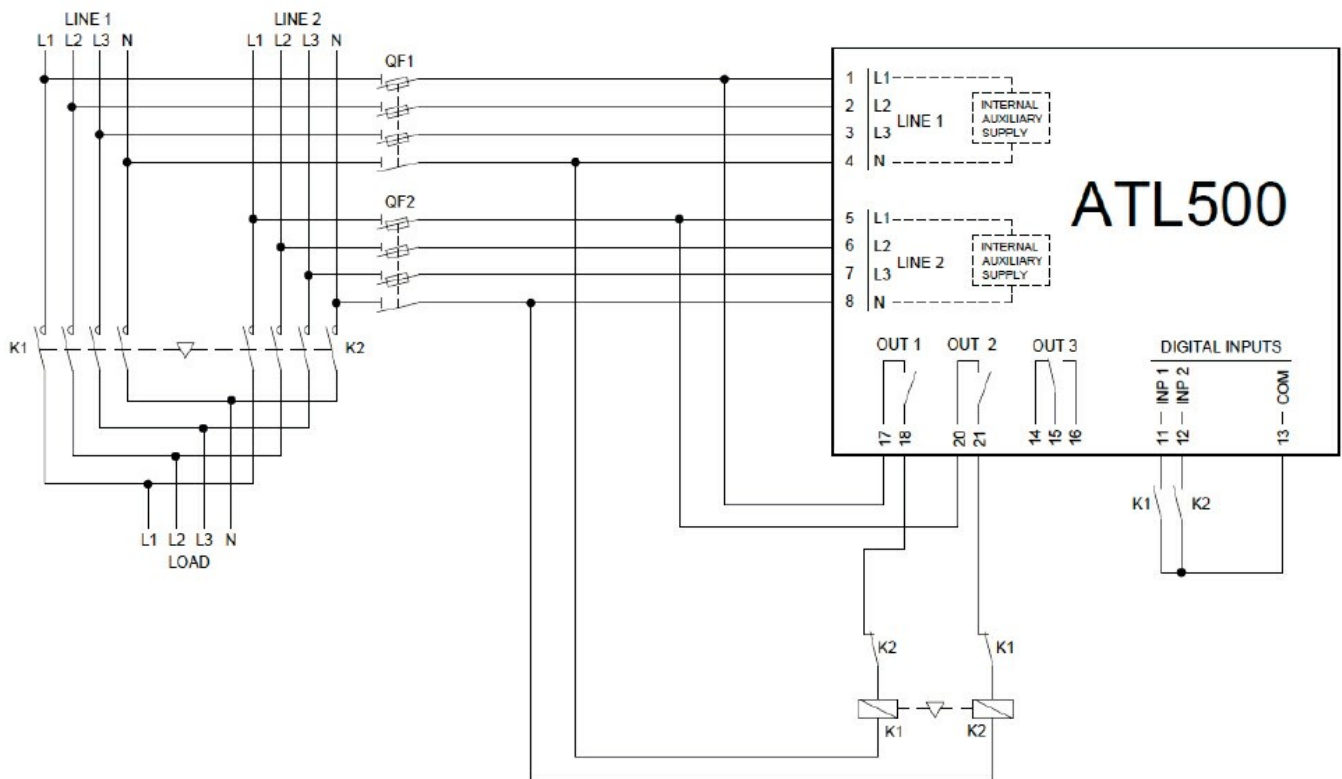
Housing

| | |
|------------------------|--|
| Execution | Flush mount |
| Material | Polycarbonate |
| Mounting | Flush mount - panel cut-out 138x138 mm |
| Degree of protection | IP40 on front, IP65 with optional gasket code EXP8001, IP20 on terminals |
| Dimensions (W x H x D) | mm 144 x 144 x 52.2mm |
| Weight | g 580 |

Dimensions



Wiring diagrams



Certifications and compliance

Compliance

IEC/EN 60947-1
IEC/EN 60947-6-1
IEC/EN 61000-6-2
IEC/EN 61000-6-3
IEC/EN 61010-1
IEC/EN 61010-2-030

Certificates

RCM

ETIM classification

ETIM 8.0

EC000236 - PLC
CPU-module