



Product designation	Automatic battery chargers
Product type designation	BCG
Type	Single phase automatic battery charger 1 charging level for sealed and non-sealed lead-acid batteries

Power supply

Rated voltage Us	min	VAC	110
	Max	VAC	240 ±10%
Operational frequency	min	Hz	50 ±10%
	max	Hz	60 ±10%
Power consumption	Max	VA	284
	Max	W	290
Internal fuse		A	6.3

Charging cycle

Reference standards	IEC62368-1
Battery type	non-sealed and sealed lead-acid batteries
Battery voltage	VDC 12
Charging voltage (Uc)	in pos. V1:13.8; V2:13.5
Boost	% Uc +4.4
Charging current (Ic)	A 12
Charging current adjustment	% Ic 20 to 100

Protections	Main supply fuse; charging inhibition due to: 1. Short circuit at battery terminals; 2. Reverse battery polarity; 3. Low voltage at battery poles; 4. Output overload.
-------------	--

Indications

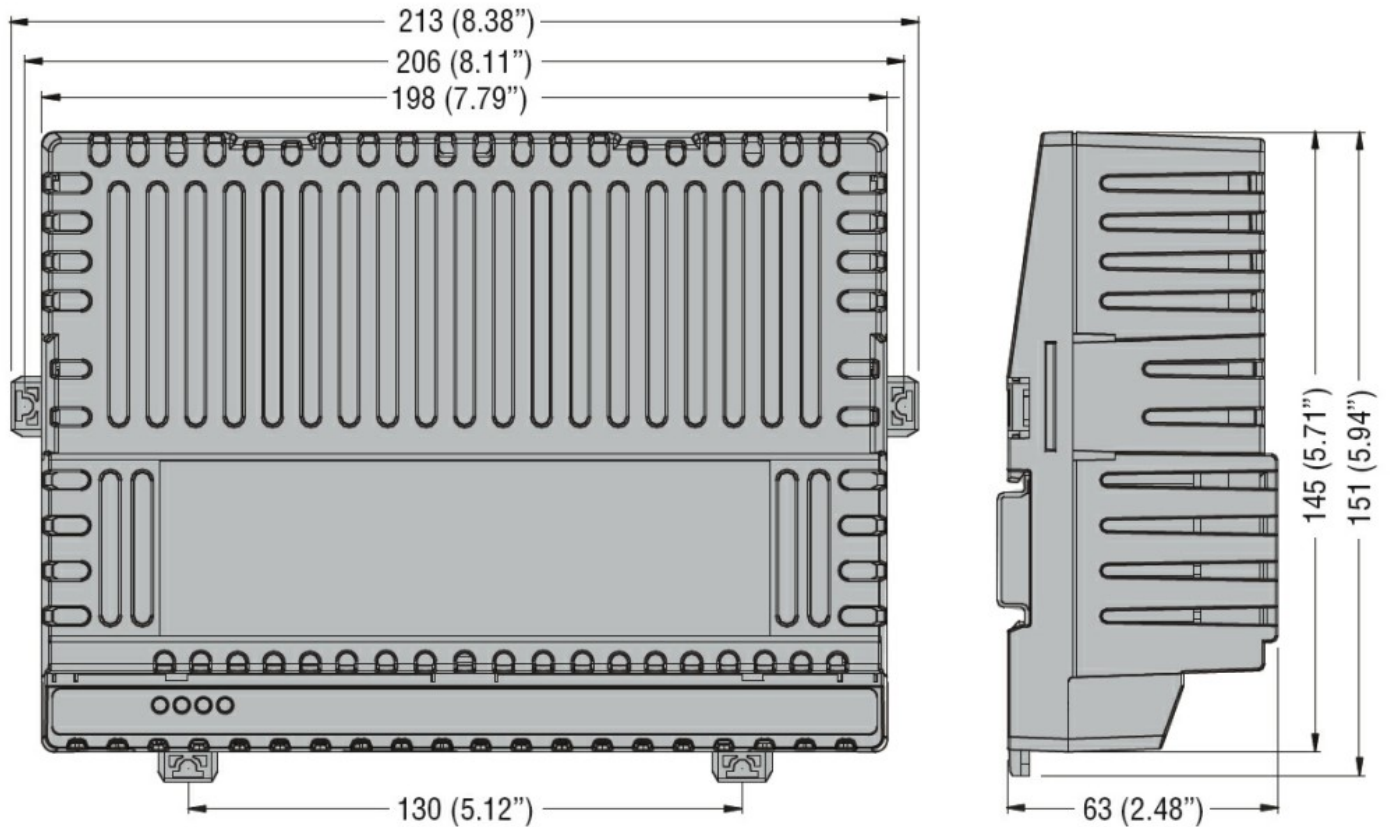
LED indicator for operating status	Yes
LED reverse battery polarity	Yes

Alarm output circuit

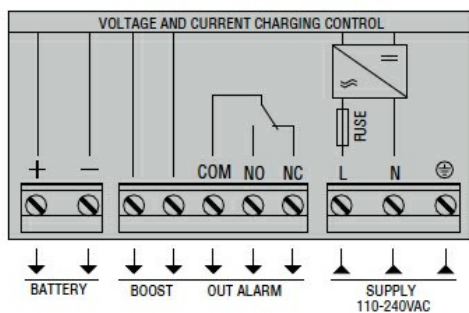
Output type	1 relay
-------------	---------

Rated capacity	5A 30VDC		
Mechanical features			
Housing type	Internal panel mounting		
Terminals type	Fixed		
Fixing	35mm DIN rail or Screw fixing		
Weight	g	710	
Ambient conditions			
Temperature			
Operating temperature			
	min	°C	-30
	max	°C	+55
Storage temperature			
	min	°C	-30
	max	°C	+80
Protection degree	IP20		

Dimensions



Wiring diagrams



Certifications and compliance

Compliance

CSA C22.2 n°60950-1

IEC/EN/BS 61000-6-2

IEC/EN/BS 61000-6-3

IEC/EN/BS 62368-1

UL 60950-1

Certificates

cURus

EAC

ETIM classification

ETIM 8.0

EC000359 -
Universal charger