



Product designation	Automatic battery chargers
Product type designation	BCF
Type	Single phase automatic battery charger 1 charging level for lead-acid batteries

**Power supply**

Rated voltage Us	min	VAC	100
	Max	VAC	240 ±10%
Operational frequency	min	Hz	50 ±5%
	max	Hz	60 ±5%
Power consumption	Max	VA	80
	Max	W	40
Power dissipation Max		W	6
Internal fuse		A	2

**Charging cycle**

Reference standards	IEC62368-1
Battery type	lead-acid
Battery voltage	VDC 12
Charging voltage (Uc)	13.6 VDC
Charging current (Ic)	A 2.5
Charging current adjustment	% Ic Fixed

Protections	Main supply fuse; charging inhibition due to: 1. Short circuit at battery terminals; 2. Reverse battery polarity; 3. Low voltage at battery poles; 4. Output overload.
-------------	--

**Indications**

LED reverse battery polarity	Yes
------------------------------	-----

**Alarm output circuit**

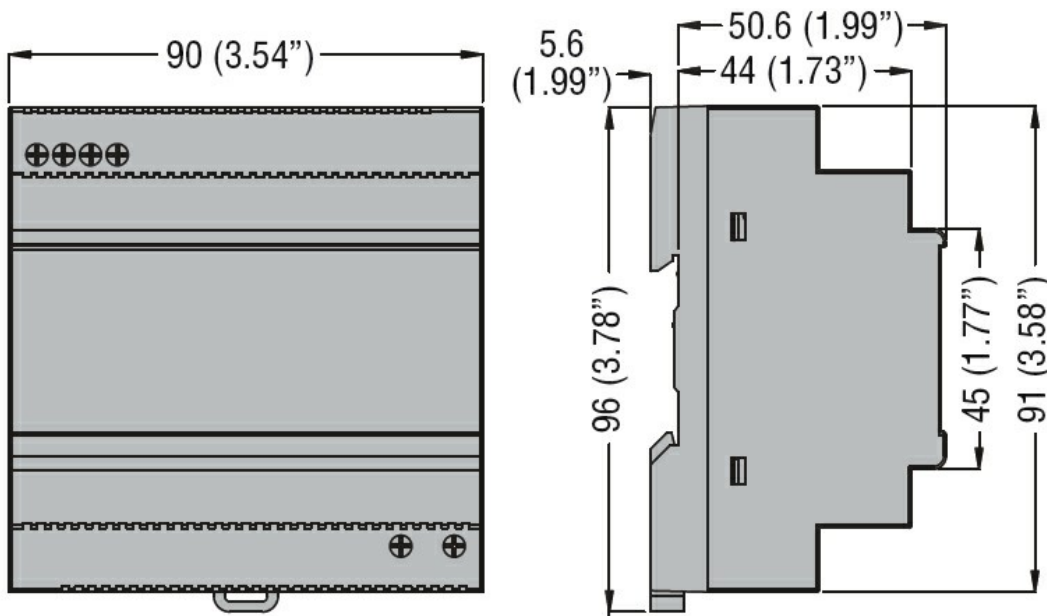
Output type	1 relay
Rated capacity	3A 250VAC AC1

**Mechanical features**

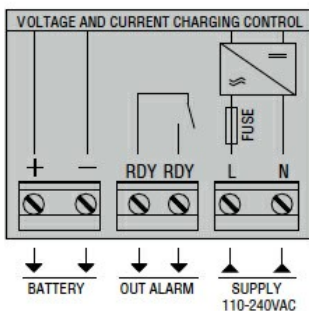
Housing type	Modular DIN rail mounting
Terminals type	Fixed

Fixing	35mm DIN rail or Screw fixing		
Weight	g	332	
<b>Ambient conditions</b>			
Temperature			
Operating temperature			
	min	°C	-40
	max	°C	+51
Storage temperature			
	min	°C	-40
	max	°C	+85
Protection degree	IP20		

**Dimensions**



**Wiring diagrams**



**Certifications and compliance**

**Compliance**

IEC/EN/BS 60100-6-2  
IEC/EN/BS 61000-6-3  
IEC/EN/BS 62368-1

**Certificates**

cURus  
EAC

**ETIM classification**

ETIM 8.0

EC000359 -  
Universal charger