



Product designation
Product type designation

Automatic battery
chargers
BCF
Single phase
automatic battery
charger 1
charging level for
lead-acid
batteries

Type

Power supply

Rated voltage Us

| | | |
|-----|-----|----------|
| min | VAC | 100 |
| Max | VAC | 240 ±10% |

Operational frequency

| | | |
|-----|----|--------|
| min | Hz | 50 ±5% |
| max | Hz | 60 ±5% |

Power consumption

| | | |
|-----|----|----|
| Max | VA | 80 |
| Max | W | 39 |

Power dissipation Max

W 6

Internal fuse

A 2

Charging cycle

Reference standards

IEC62368-1

Battery type

lead-acid

Battery voltage

VDC 24

Charging voltage (Uc)

27.2 VDC

Charging current (Ic)

A 1.25

Charging current adjustment

% Ic Fixed

Protections

Main supply fuse;
charging
inhibition due to:
1. Short circuit at
battery terminals;
2. Reverse
battery polarity; 3.
Low voltage at
battery poles; 4.
Output overload.

Indications

LED reverse battery polarity

Yes

Alarm output circuit

Output type

1 relay

Rated capacity

AC1: 3A 250VAC

Mechanical features

Housing type

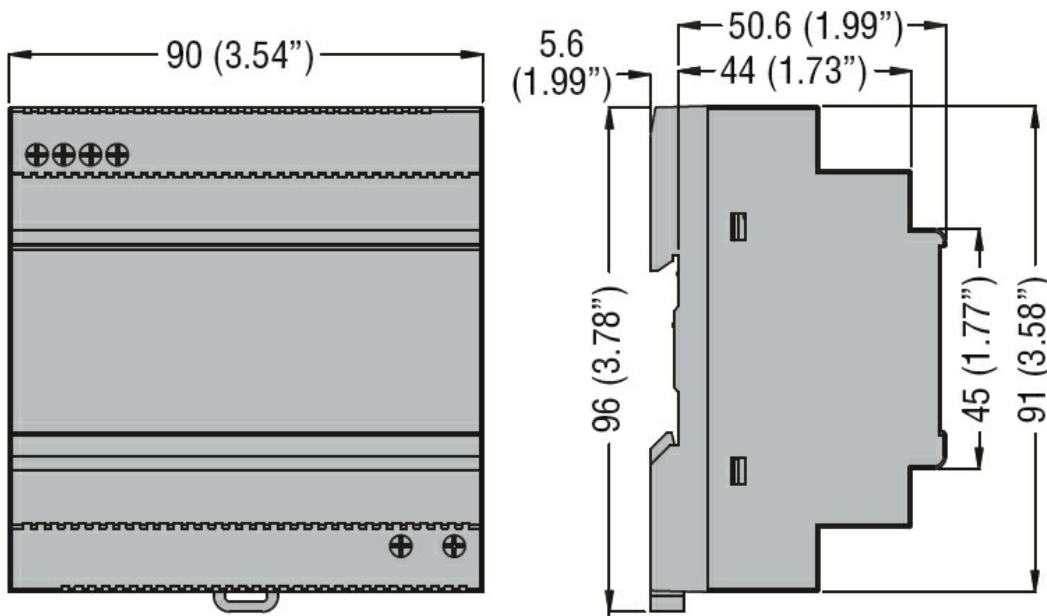
Modular DIN rail
mounting

Terminals type

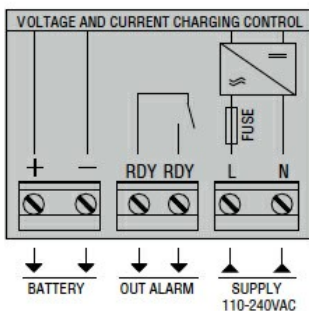
Fixed

| | | | |
|---------------------------|-------------------------------|-----|-----|
| Fixing | 35mm DIN rail or Screw fixing | | |
| Weight | g | 332 | |
| Ambient conditions | | | |
| Temperature | | | |
| Operating temperature | | | |
| | min | °C | -40 |
| | max | °C | +51 |
| Storage temperature | | | |
| | min | °C | -40 |
| | max | °C | +85 |
| Protection degree | IP20 | | |

Dimensions



Wiring diagrams



Certifications and compliance

Compliance

- IEC/EN/BS 60100-6-2
- IEC/EN/BS 61000-6-3
- IEC/EN/BS 62368-1

Certificates

- cURus
- EAC

ETIM classification

ETIM 8.0

EC000359 - Universal charger