



Product designation	Automatic battery chargers
Product type designation	BCE
Type	Single phase automatic battery charger 1 charging level for lead-acid batteries

Power supply

Rated voltage Us	min	VAC	220
	Max	VAC	240 ±10%
<hr/>			
Operational frequency	min	Hz	50 ±5%
	max	Hz	60 ±5%
<hr/>			
Power consumption	Max	VA	166
	Max	W	26

Charging cycle

Reference standards	IEC60335-2-29
Battery type	lead-acid
Battery voltage	VDC 24
Charging voltage (Uc)	27.6
Charging current (Ic)	A 2.5
Charging current adjustment	% Ic 30 to 100

Protections	Battery output fuse; charging inhibition due to: 1. Short circuit at battery terminals; 2. Reverse battery polarity; 3. Low voltage at battery poles; 4. Output overload.
-------------	---

External fuse	1
---------------	---

Indications

LED indicator for operating status	Yes
LED reverse battery polarity	Yes

Alarm output circuit

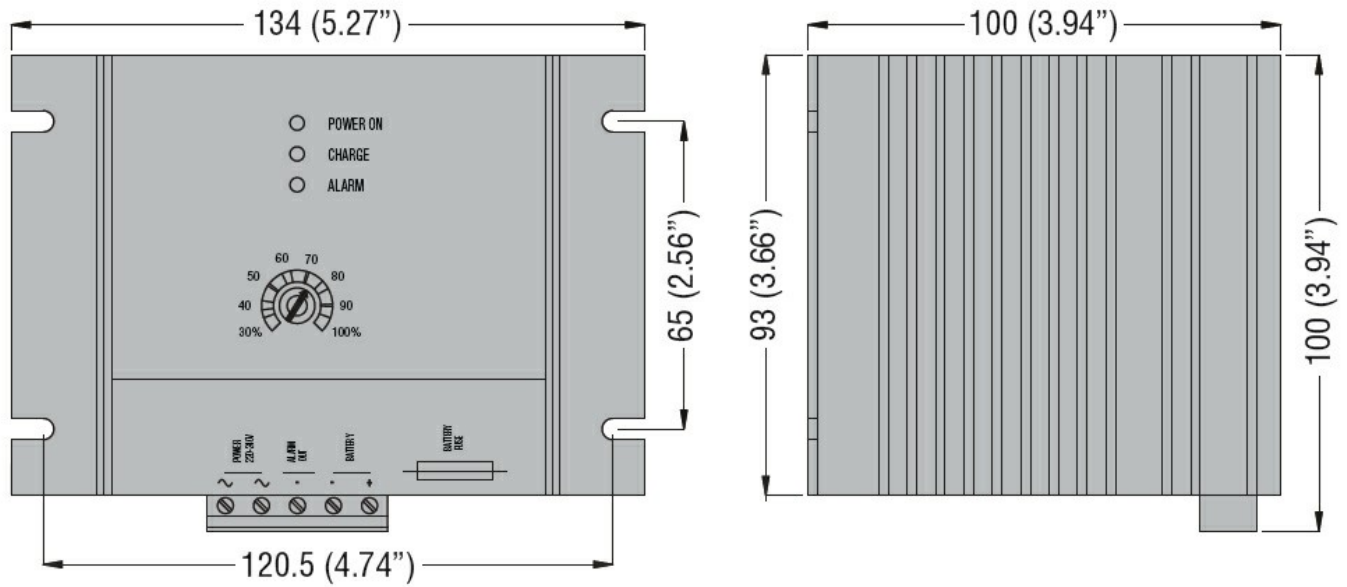
Output type	NPN transistor
-------------	----------------

Mechanical features

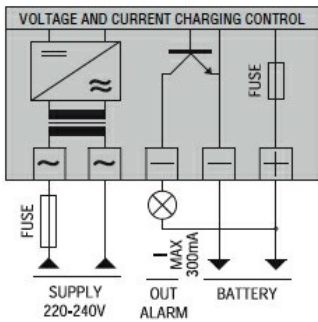
Housing type	Internal panel mounting
Terminals type	Removable/plug-in

Fixing	Screw fixing	
Weight	g	1992
Ambient conditions		
Temperature	Operating temperature	
	min	°C -10
	max	°C +50
	Storage temperature	
	min	°C -30
	max	°C +80
Protection degree	IP00	

Dimensions



Wiring diagrams



Certifications and compliance

Compliance

IEC/EN 60335-2-29

Certificates

EAC

ETIM classification

ETIM 8.0

EC000359 -
Universal charger